

V.17.01.25

CYCLONE SHUTTER SPECIFICATION & INSTALLATION MANUAL

INTRODUCTION

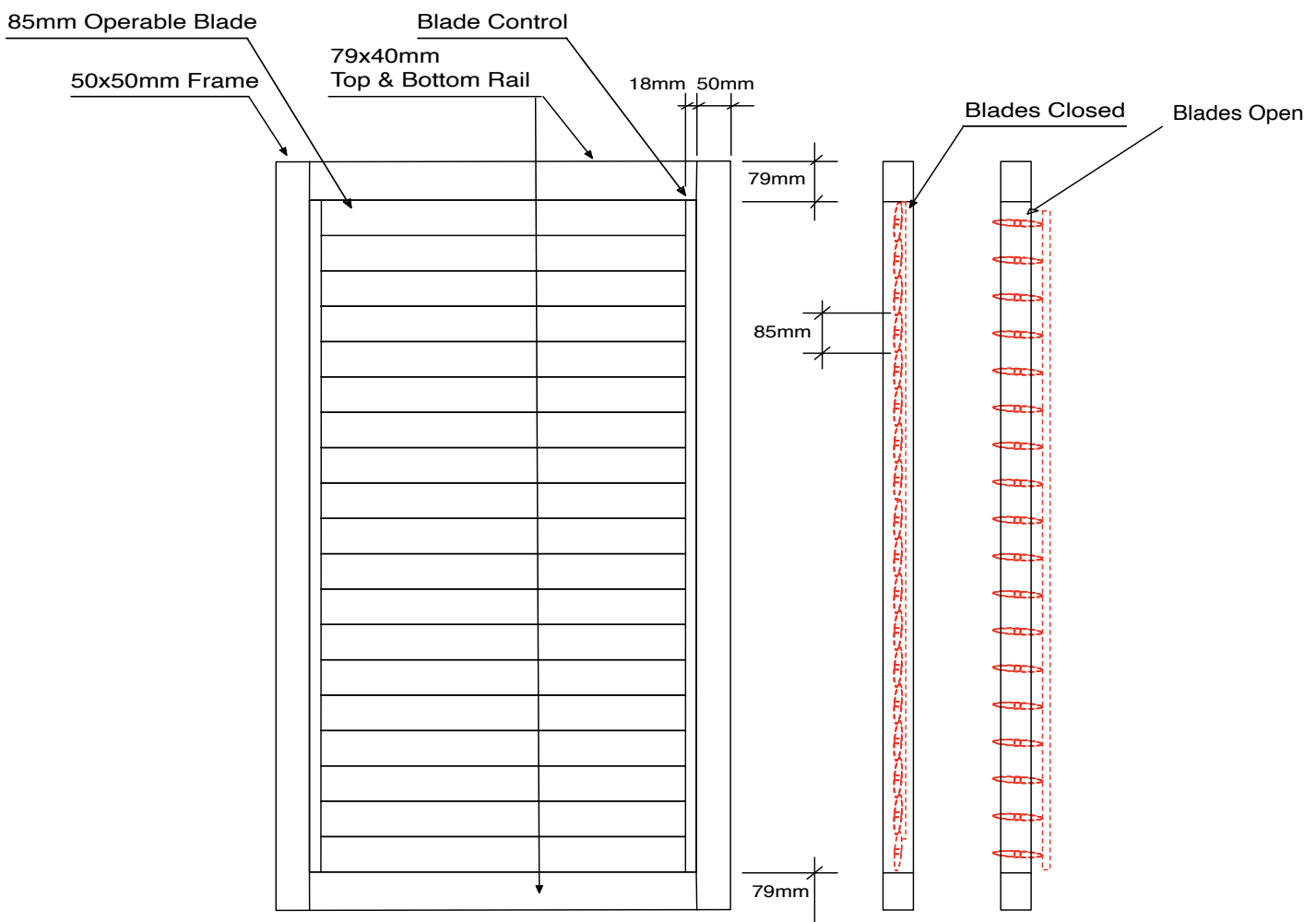
With a 85mm blade engineered and designed to extreme durability while maintaining a contemporary design.

Cyclone tested by the University of Queensland to comply with AS2047, AS1170.2.

This shutter exceeds all structural, water and debris impact performance requirement for cyclone and extreme weather conditions.

Constructed for use on balconies and other commercial applications, the fusion of style and functionality make this shutter popular for any new or existing building.

SHUTTER SPECIFICATIONS



COMPONENT DESCRIPTIONS

| COMPONENT | DESCRIPTION |
|---------------------------|---|
| Panel Top & Bottom Rails | 79mm x 40mm |
| Panel Side Rails | 50mm x 50mm Side Frame, - 50mm x 50mm Stacking Side Frame with interlocking contacting reveal. |
| Transom | 85mm x 12mm ellipse blade and two off side-opening link bars per opening blade set. Louvre blades below the height of the balustrade rail shall be fixed in the closed position for child safety. |
| Top Channel & Track Cover | 47mm x 47mm |
| Top Track | 42mm x 50mm continuous length to balcony openings, fixed to balcony soft at 500crs with 12g x 50mm SS screws, or such additional fixings as the engineer specifies. |
| Top Track Glide | Roller glide with 10mm x 65mm hex-angular head stainless steel bolt. |
| Bottom Track | 29mm x 31mm continuous length to balcony openings, fixed to bottom support brackets. |
| Bottom Track Glide | Roller glide with 10mm stainless steel bolt. |
| Bi-folding Hinges | Offset hinges to enable greater than 180 degree positioning of the adjoining panels. Provide three of per pair of shutter panels. |
| Locking Bolt | Flush bolt throw to each panel. |

PRODUCT & INSTALLATION TO: AS OF 2047

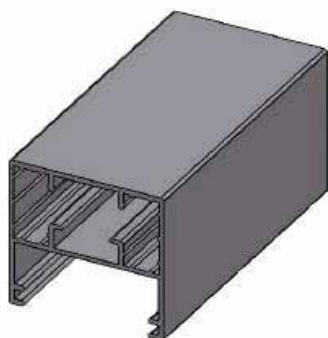
AS 1231 2000, Aluminium alloys - Anodic oxidation coatings.

AS/NZS 1866 1997, Aluminium alloys - Extruded rod, bar, solid and hollow shapes.

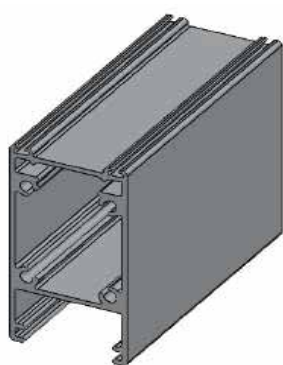
AS/NZS 1170, Structural design actions.

AS/NZS, 1170.2 2002, Wind actions

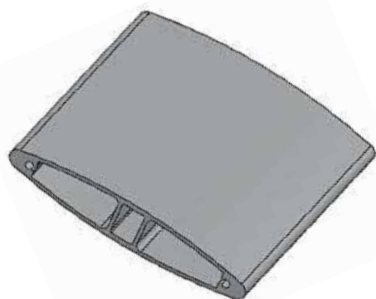
COMPONENT DRAWINGS



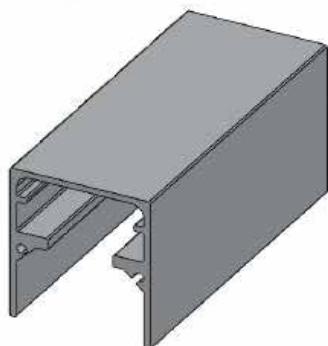
Side Rail
50mm x 50mm



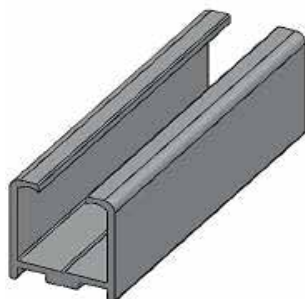
Top & Bottom Rail
79mm x 50mm



Elliptical Blade
85mm



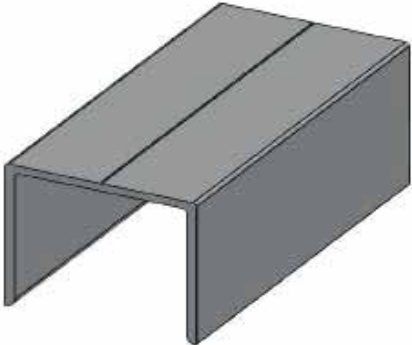
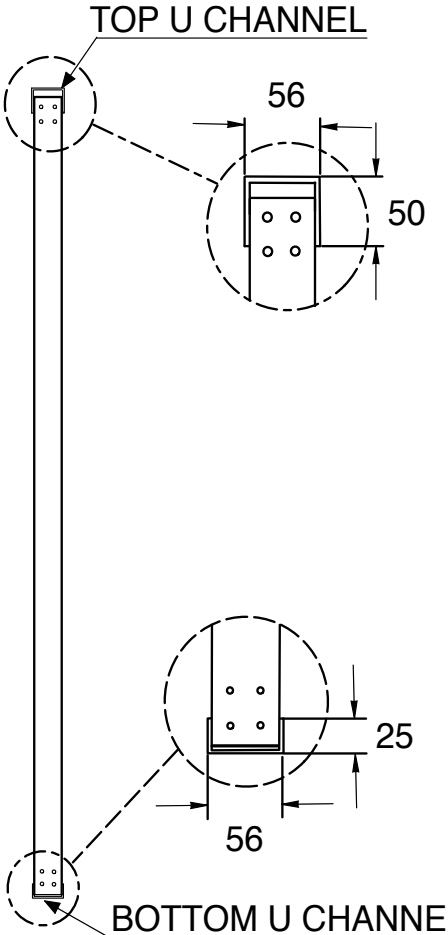
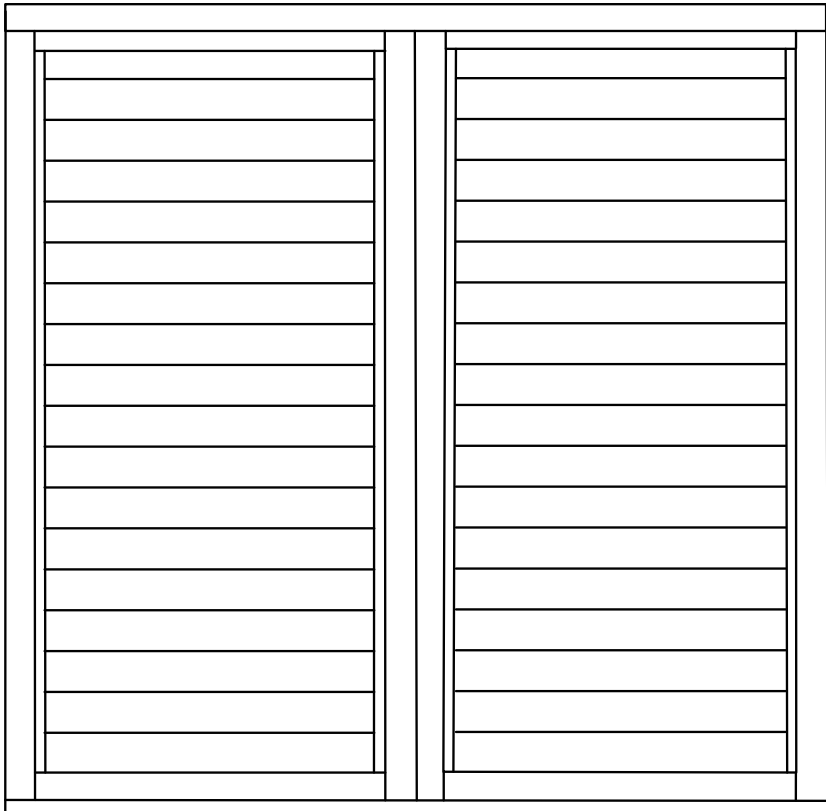
Top Track
42mm x 50mm



Bottom Track
42mm x 50mm

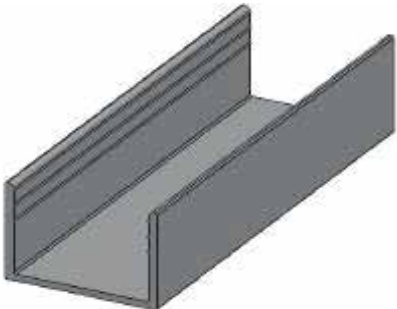
INSTALLATION TYPE – FIXED

Shutter panels are fixed in U channels top and bottom.



Top Fixed U Channel
50mm x 56mm

Bottom Fixed U Channel
25mm x 56mm



INSTALLATION TYPE – BIFOLD



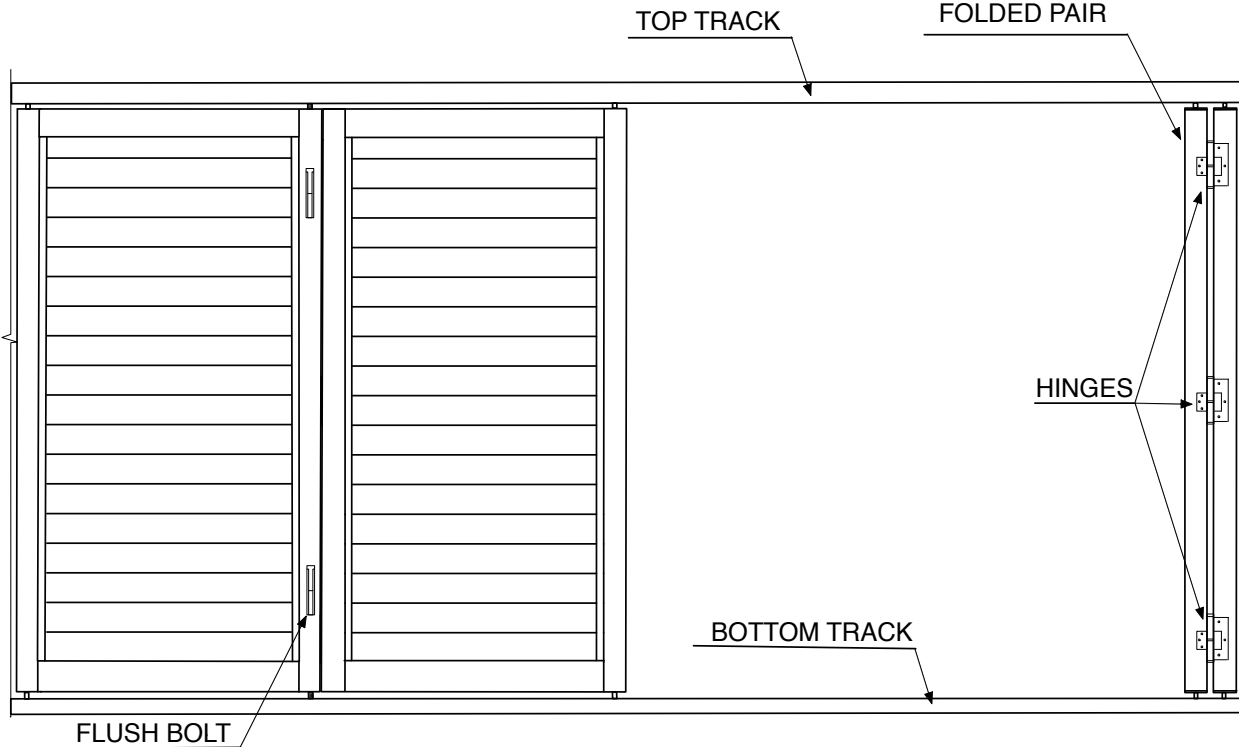
Single Pair Bifold - This single pair system allows you to bring out as many pairs as you need.



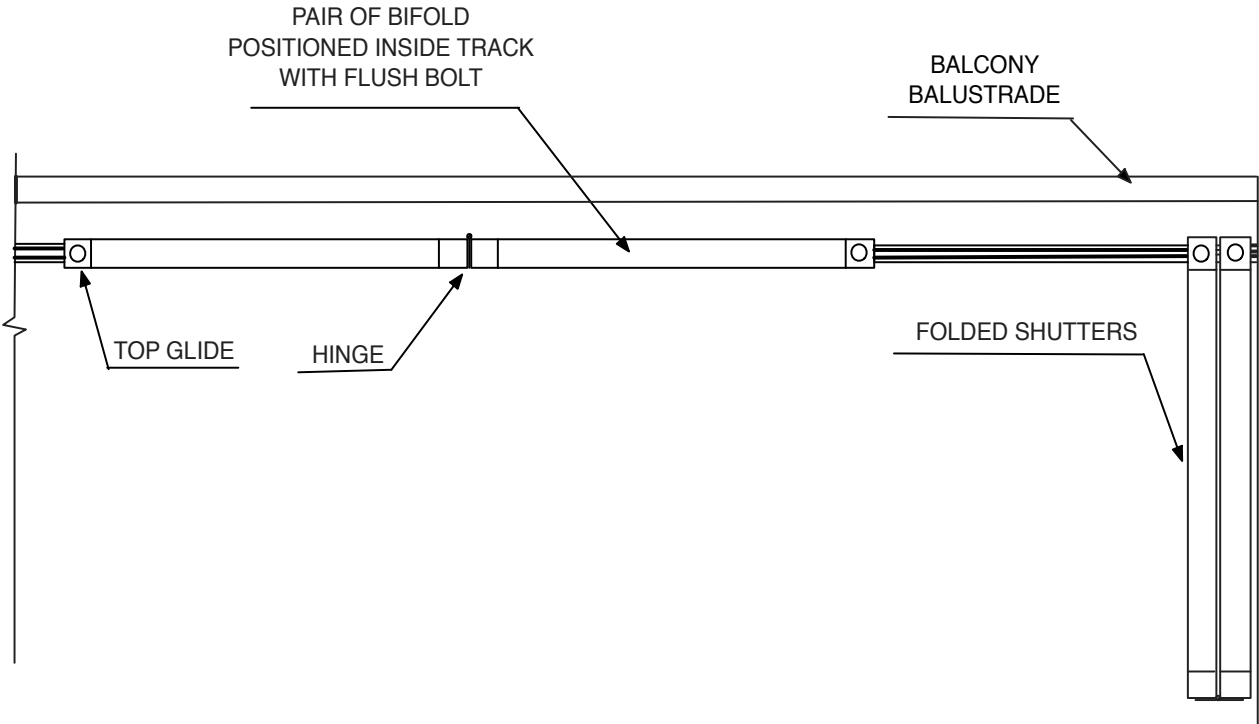
Bifold Shutters - The shutters are hinged and slide together as a single pair. The track is to run the full length of the balcony to allow the shutters to park on both sides.

INSTALLATION TYPE – BIFOLD

FRONT VIEW

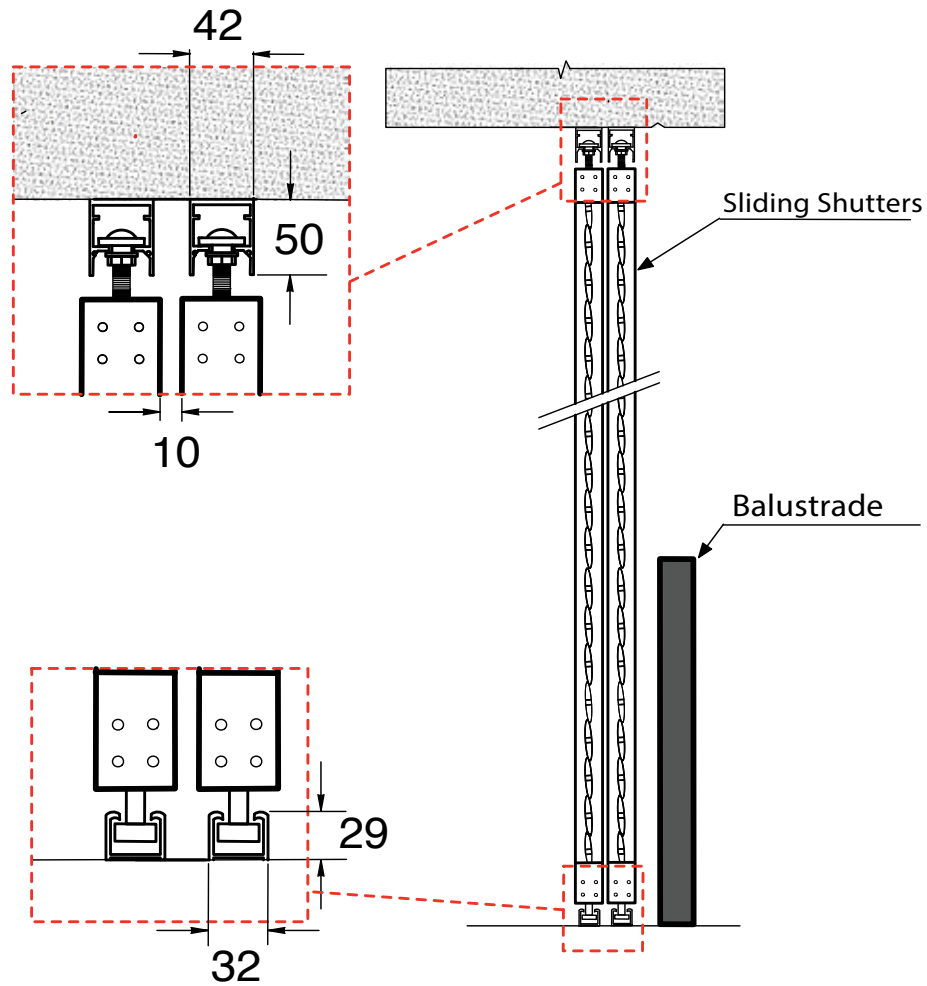


TOP VIEW



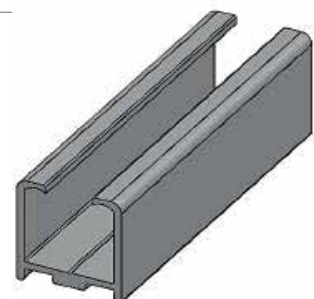
INSTALLATION TYPE – SLIDING

The shutter panels can slide full length of the balcony on single parallel tracks.



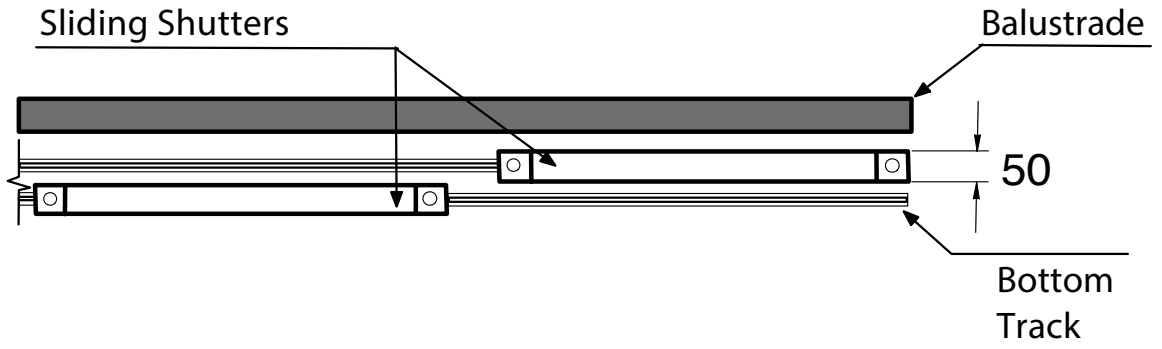
Top Track
42mm x 50mm

Bottom Track
42mm x 50mm

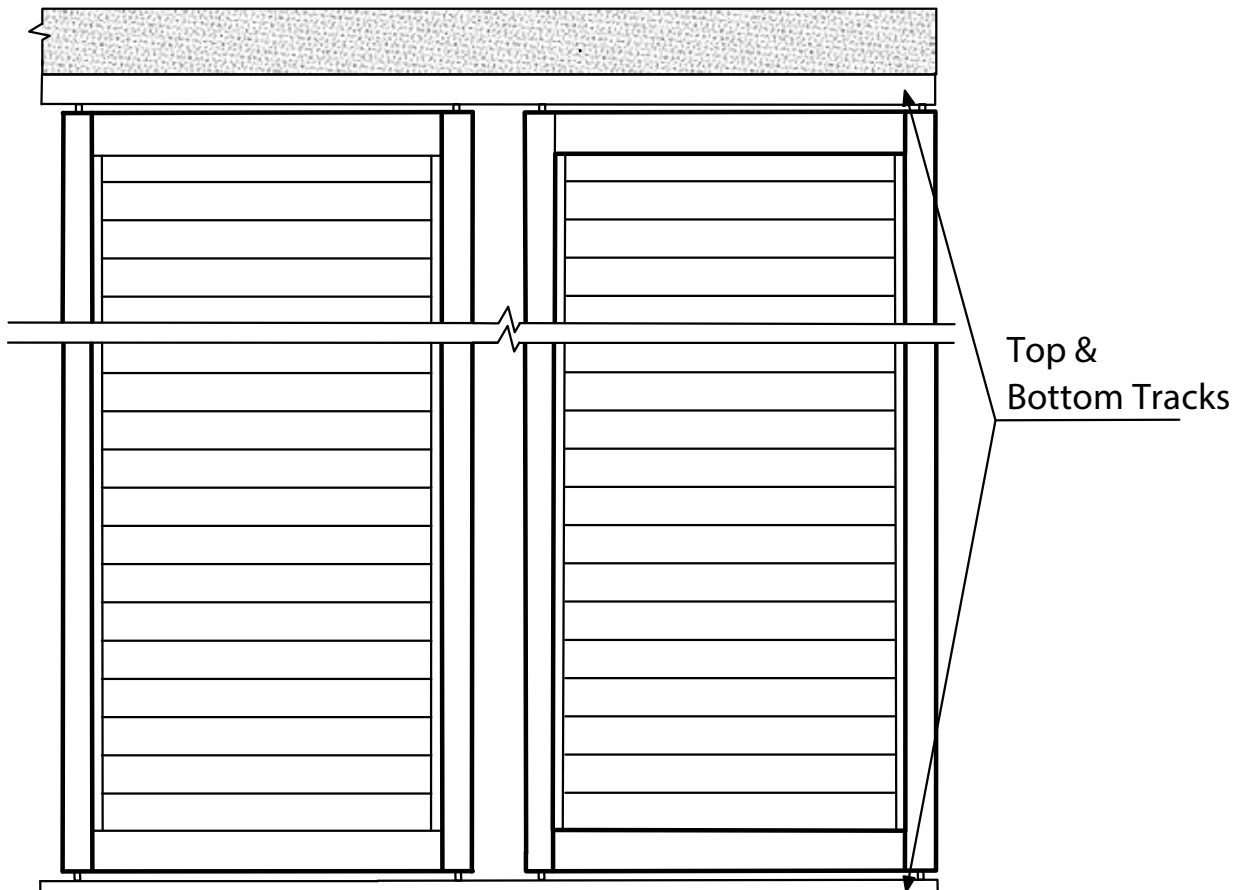


INSTALLATION TYPE – SLIDING

TOP VIEW



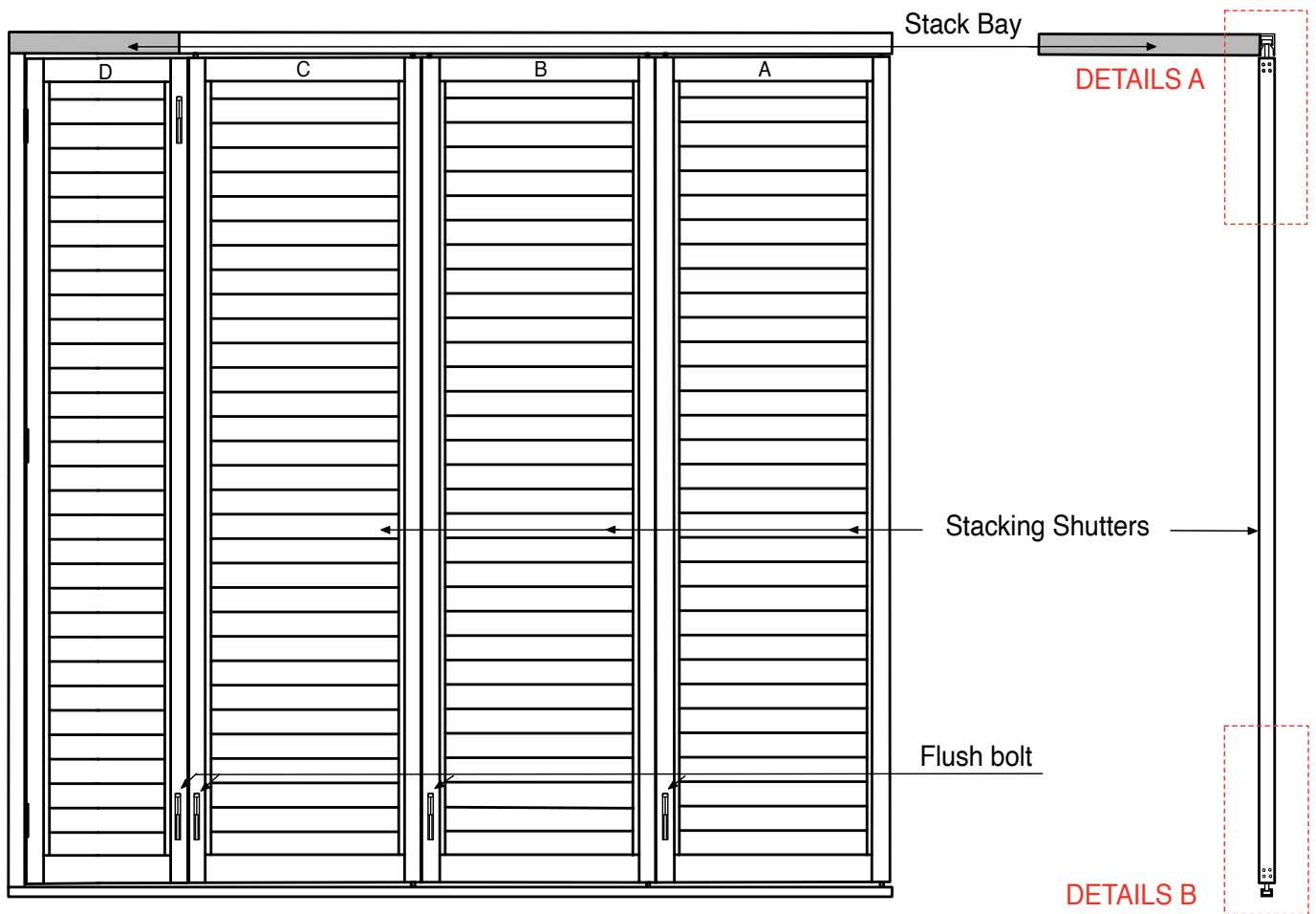
FRONT VIEW



INSTALLATION TYPE – STACK BAY

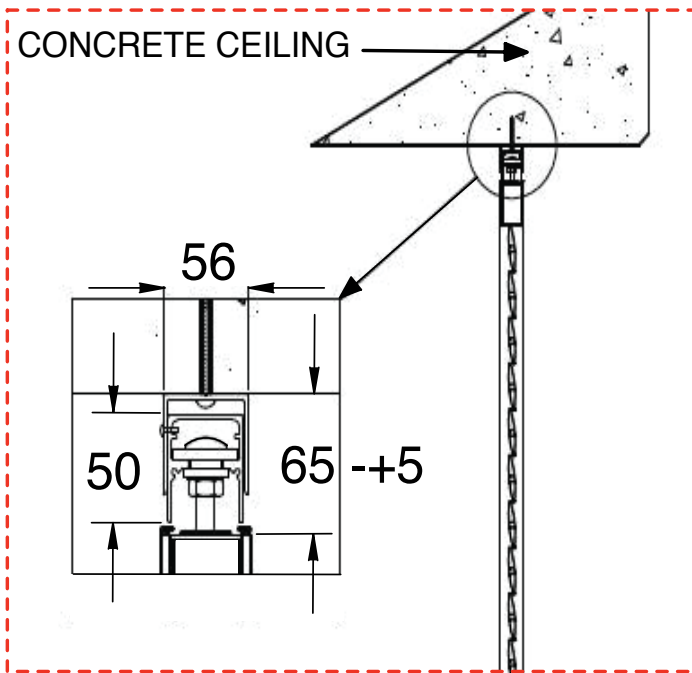
Shutter panels are to slide individually along a single track and stack (at 90 degrees) at the side of the opening. The track is to run the full length of the balcony to allow individual shutters to be positioned as required along the opening.

FRONT & SIDE VIEW



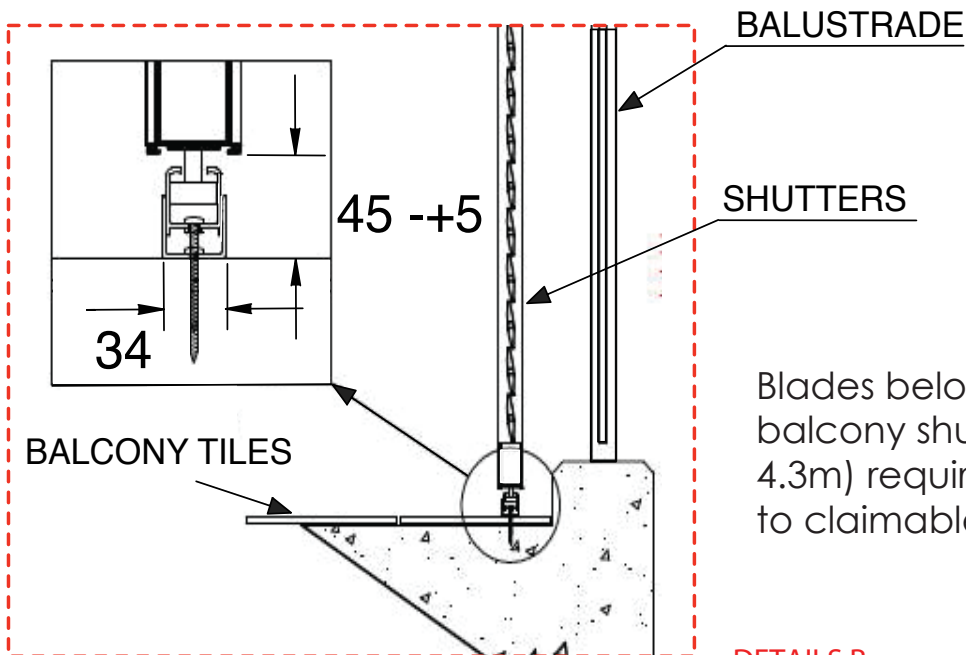
See next page for Details A and B

INSTALLATION TYPE – STACK BAY



Single stacking shutters require substantial structural support for the stack bay such as concrete ceilings.

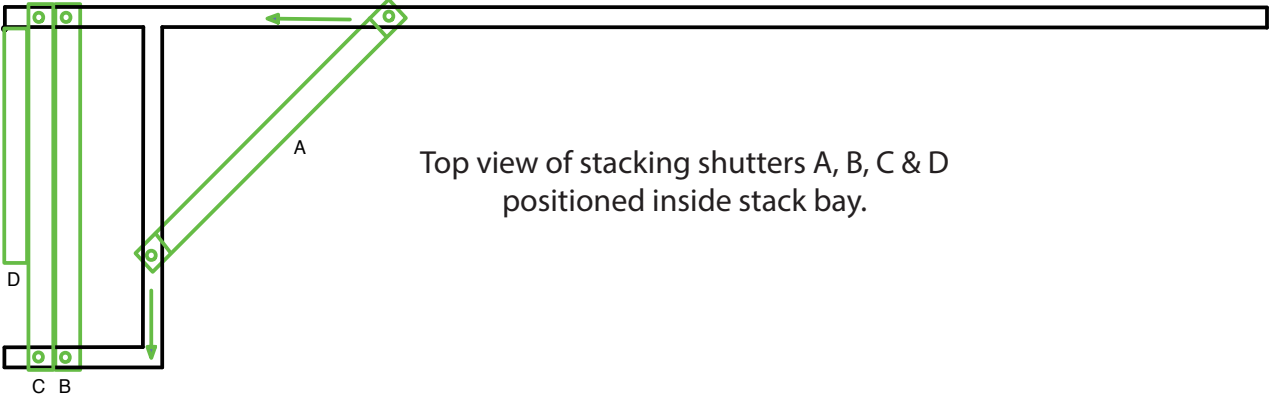
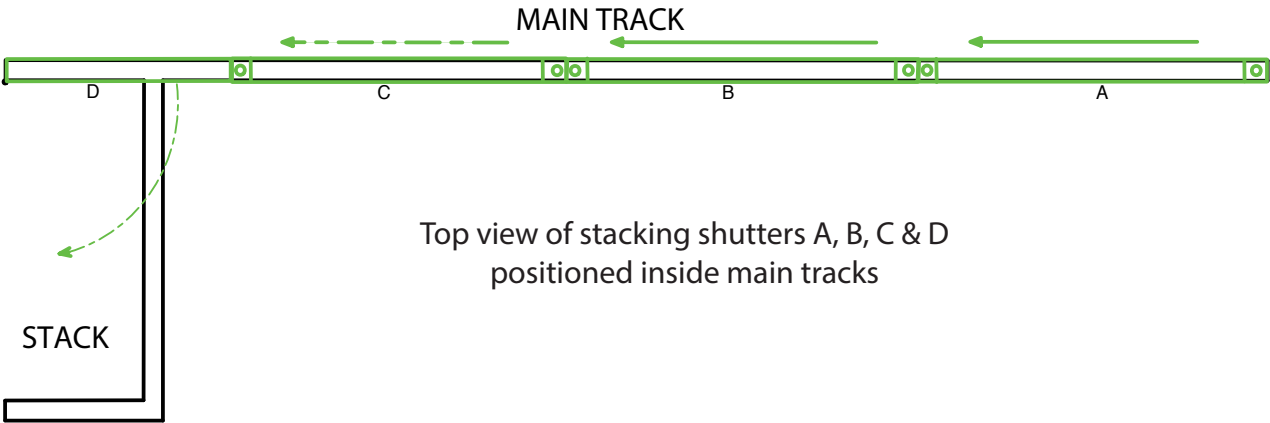
DETAILS A



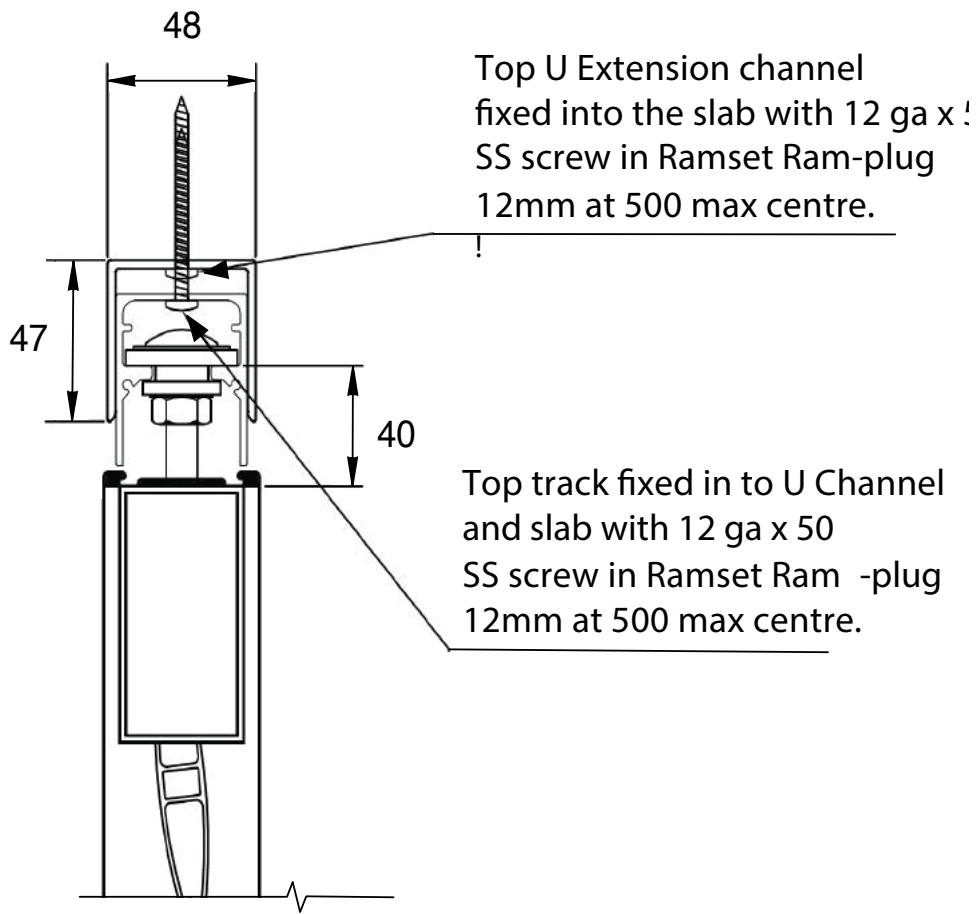
Blades below the mod-rail for balcony shutters (drop greater than 4.3m) require to be shut closed due to claimable horizontal elements.

DETAILS B

INSTALLATION TYPE – STACK BAY

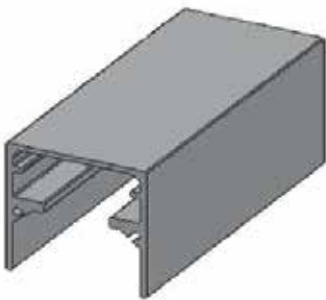


TRACKS & U CHANNELS



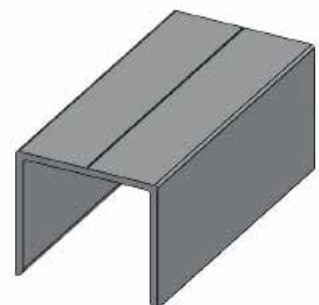
TOP TRACK & EXTENSION U CHANNEL

The top track system is to include a 48mm x 47mm extension U channel to conceal gaps between the track and the ceiling.

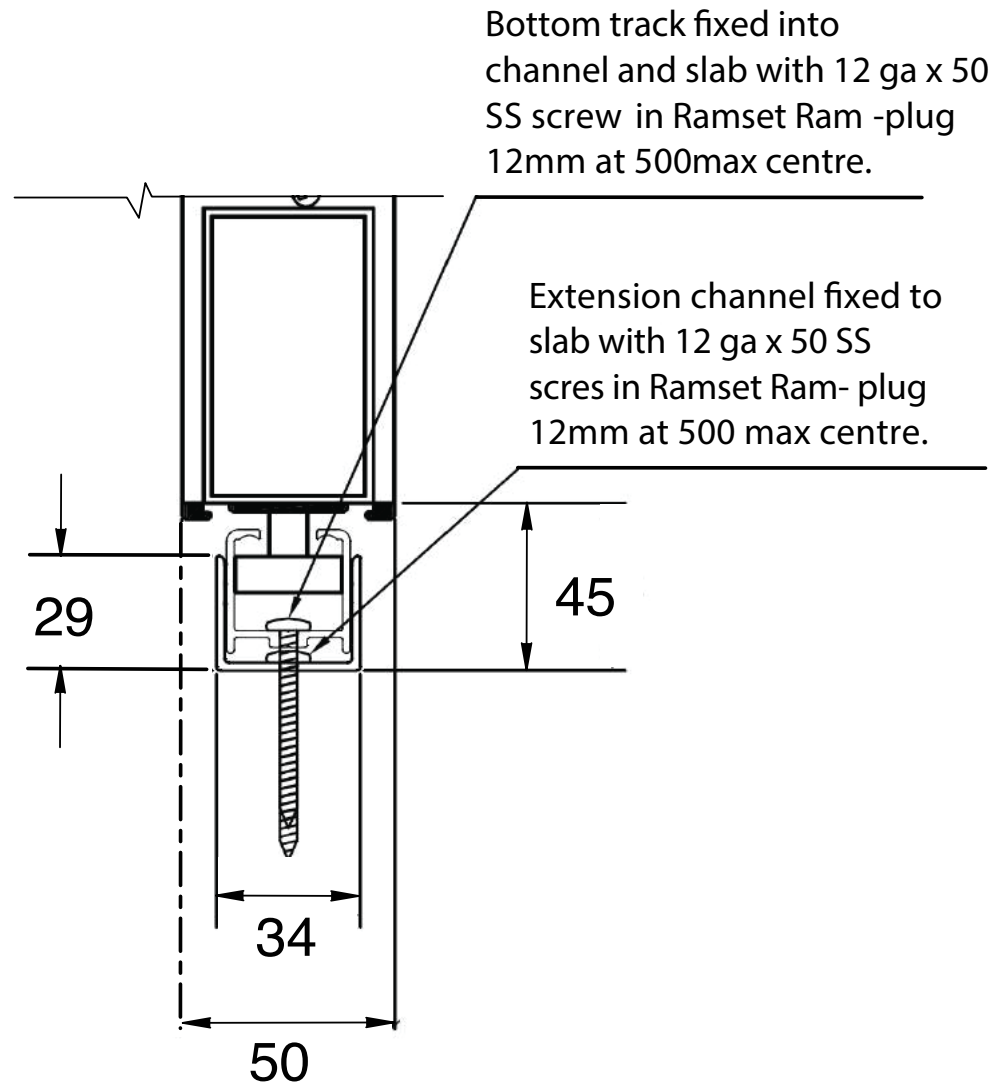


Top Extension U Channel
47mm x 48mm

Top Track
42mm x 50mm

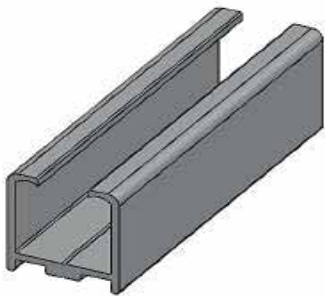


TRACKS & U CHANNELS



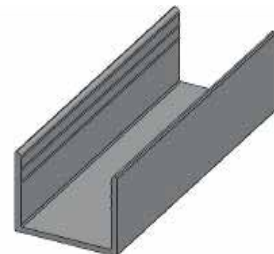
BOTTOM TRACK & EXTENSION U CHANNEL

The bottom track system is to include a 29mm x 31mm extension U channel to conceal gaps between the track and the tiles.

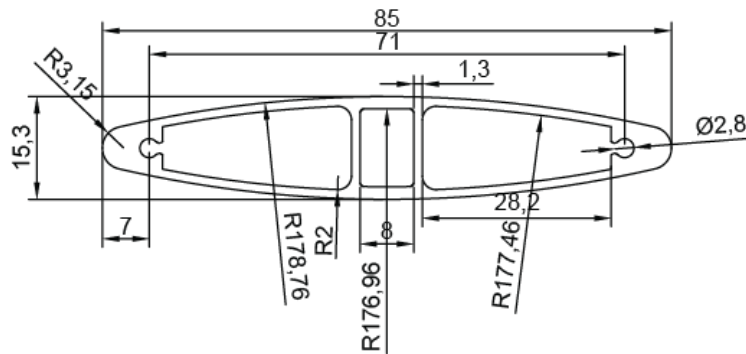


Top Extension U Channel
29mm x 34mm

Bottom Track
29mm x 31mm



85 ELLIPTICAL BLADE

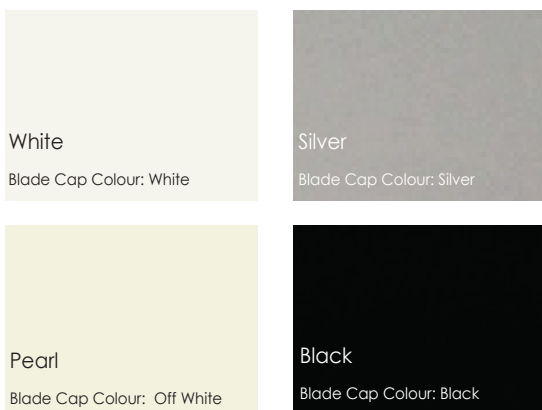


85mm Blade

COLOUR OPTIONS

CUSTOM COLOUR OPTONS

There are four standard powdercoat finishes (40% sheen) available.



Choose from one of the many colours offered by Dulux. Please be sure to select from the below pictured specifier for accurate colour matching "to deck".



Please Note: Custom colour finishes are applied as a powder coat. Blade end caps will be colour matched to the custom colour selected.

Powdercoat finishes will be applied with a standard satin finish at 40% sheen. For custom sheen finishes e.g. matte or gloss, surcharges will apply.

Duratec custom powdercoats also available. Please see price lists for charges.