



Shadesol

ZIPSCREEN RANGE  
PRODUCT GUIDE

VO61224





## TWO GUIDELINES

Orders that are released to TWO are processed in the most timely manner possible. As such, any changes made to an order once it is released to TWO cannot be guaranteed to be applied.

Invoices for orders with multiple products are due upon receipt of each product.

If the order is already in production, initial costs, cancellations or any change costs will be the responsibility of the dealer to cover.

All drawings, notes and emails with questions must be answered before an order is entered in to the production line. Delays in the timely processing of these by customers will lead to longer lead times.

All factory/freight repairs are to have photographic/video proof. If neither are available at the time of placing the repair, it will be processed as a dealer responsibility. TWO will credit back the cost of the repair once proof of factory/freight responsibility is given.

For special request/non-standard/limited availability items please check first with Head Office for availability. Any surcharges for these items will be the responsibility of the dealer to cover, even if it is not listed on the price list.

PDF Estimates generated from the system may not reflect final pricing. If all items are not selected in the order form or details are added to the notes section, the price may be altered.

All dealers are responsible for having the most current price lists and product manuals. If unsure please contact your account manager to confirm.

## TABLE OF CONTENTS

Care & Maintenance..... 4

### **Zipscreen**

Fabric & Colours..... 6

Mount..... 8

Componentry..... 9

Specifications..... 12

Operation..... 13

Morotorisation Accessories..... 15

Options..... 18

### **Zipscreen Extreme**

Fabric & Colours..... 22

Mount..... 23

Componentry..... 26

Specifications..... 28

Operation..... 29

Morotorisation Accessories..... 30

Options..... 33



In order to prolong the life of your Zipscreen blind and provide optimum performance, we recommend the following care and maintenance guidelines.

### **Regular Cleaning (At least every 3 months)**

- Ensure surfaces are free from dirt, dust and grime.
- Clean the Zipscreen blind with a soft brush.
- Run a soft brush along side channel to prevent dust and dirt build up on zip.
- Clean aluminium with a soft cloth and warm soapy water or a small amount of mild detergent if required. Do not use abrasive cleaning agents (eg. Ajax or steel wool) in any circumstance.

### **Do Not:**

- Do not leave the Zipscreen blind down when you are away from your home or in extreme weather conditions.
- Do not roll the Zipscreen blind up when wet (to avoid mould and mildew).
- Do not force the Zipscreen blind up or down if it is jamming. Forcing the Zipscreen blind may result in further damage (for example, the zip may be forced out of the side channel or the fabric may rip). Contact your Zipscreen supplier for guidelines of how to fix.
- Do not operate spring controlled Zipscreen blinds from the sides - always use the Weight Bar or Handle and pull from the centre.

### **Common Characteristics:**

Depending on the fabric selection, when the Zipscreen blind is initially pulled down some ripples may be evident. The ripples will lessen over time as the weight of the blind will stretch the fabric slightly and the ambient temperature will heat the fabric.

When a motorised blind is operated some 'jolting' may be evident. This effect is due to wind gusts causing spontaneous friction between the zip and side guides. This occurrence does not damage the blind.



**Operate the Zipscreen blind at least once a week to prevent build-up of dirt that will inhibit the operation of the blind.**





# Shadesol

## ZIPSCREEN

To ensure you are reading the most up to date product information, always refer to the latest version of the product guide. The latest version is available to download from the Sales & Marketing Centre.

If you have any product, installation, ordering or pricing questions, please contact your TWO Account Manager for assistance.

For pricing, please refer to the price and surcharge list.

### Swatched Range

To order your Shadesol fabric swatch book, please contact your TWO Account Manager.

Fabric	
Group 1	Colours
X-Weave 5%	Ebony, Charcoal, Flint, Monument, Woodland Grey, Shale Grey, Paperbark, Surf Mist, Snow
Group 2	
X-Weave 1%	Ebony, Charcoal, Monument

Shadesol X-weave fabrics have been fire tested and certified as fire retardant.

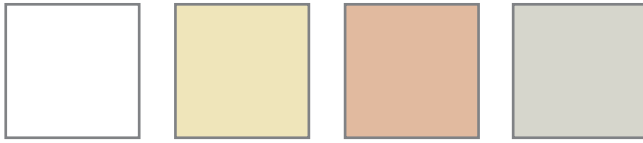
### All Other Fabric Ranges

The below range of fabrics are available to order while stock last.

Fabric
Group 1
SolarView
Group 2
Visiontex View 85%
Ricky QM5
Kleenscreen
Group 3
Visiontex Plus 94%
Visiontex Ultra 99%
Outlook Mode 95%
Group 4
Mode Privacy 99%
Visiontex Extreme
Mode Zero

## ZIPSCREEN | FABRIC & COLOURS

### Standard Colours

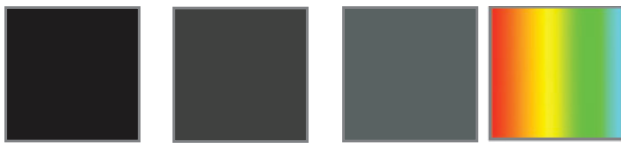


White

Classic Cream

Paperbark

Surf Mist



Black

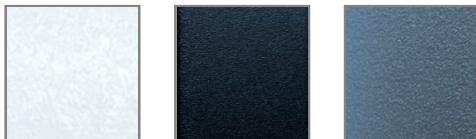
Monument

Woodland  
Grey

Custom

Hardware is available in 7 standard colours plus the option to custom powder coat.

### Textured Colours



White

Black

Monument

Sleek, textured finishes are available in black, white and monument. The finish is highly durable, making scratches and marks less noticeable.

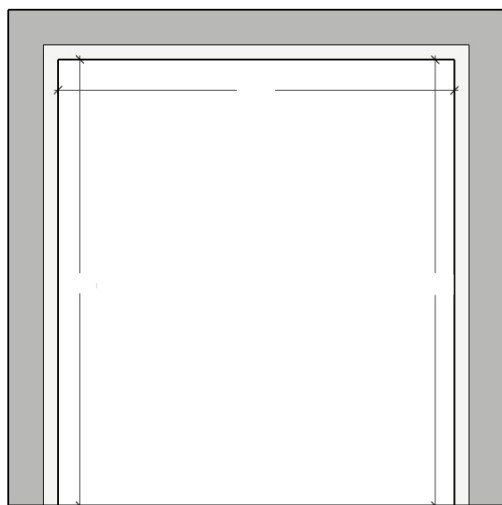
The textured finish is only available for the Box 120, side channels, F56 & F72 base rail and Face Fit Rail. Brackets and other headbox options are not available in this textured finish.

### Custom Colours



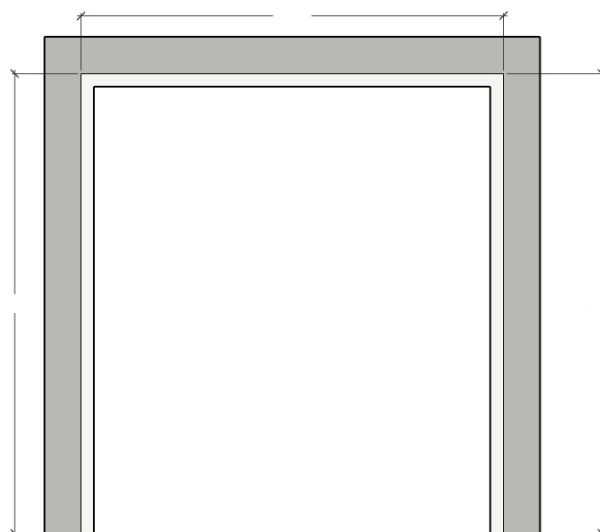
For custom colours, please refer to the current Dulux Powder Coat Selector.

Side Fit



Side Fit (Inside): The Zipscreen is installed on the inside of the opening.

Face Fit



Face Fit (Outside): The Zipscreen is installed on the front of the opening.

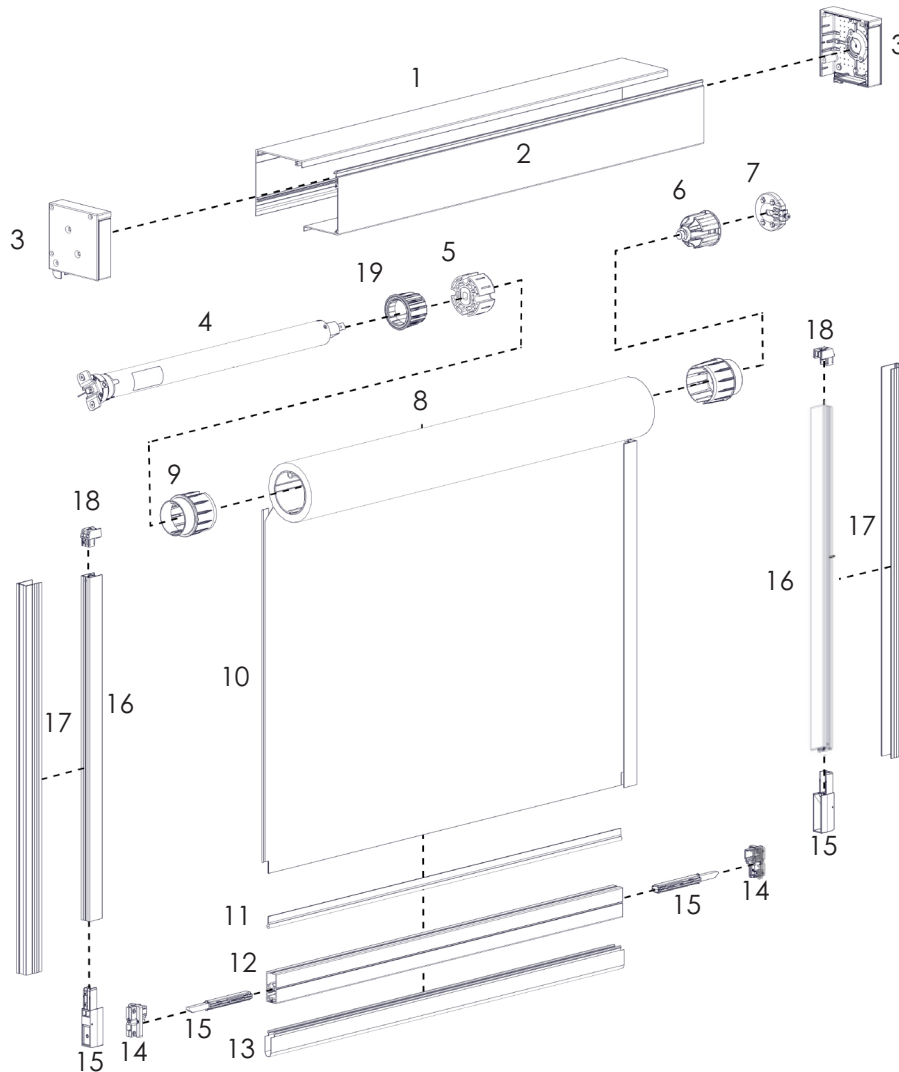
When determining the mount, check for any obstructions within or outside of the opening such as hand rails and check for out-of-square measurements, which may affect the operation of the screen as it moves up and down.





Componentry Breakdown

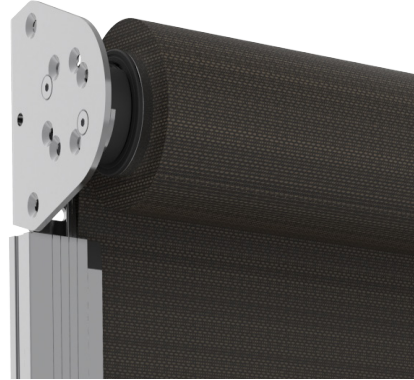
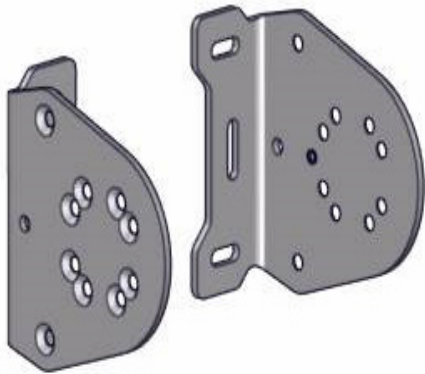
Zipscreen, Headbox, Motor, F56 Weight Bar, Ultra Lock



**Item # Description**

1	Box 120 or 160 Back	11	Fabric Tail Spline
2	Box 120 or 160 Full Cover	12	Weight Bar
3	Box 120 or 160 End Plate Set + Screws	13	Ultra-Lock Seal with Surcharge
4	Automate FT Motor	14	Zipscreen Weight Bar End Cap Set + Screws
5	78mm Drive	15	Zipscreen Ultra-Lock Set with Surcharge
6	63mm Bearing Idler	16	Zipscreen   Zip Inner Rail
7	Idler/Spring Adaptor	17	Zipscreen   U Mounting Rail
8	78mm Aluminium Tube	18	Zipscreen   Inner Rail Funnel & Stop
9	Zipscreen Reducer 78   63mm	19	63mm Crown
10	Zip   No.6 Gauge		

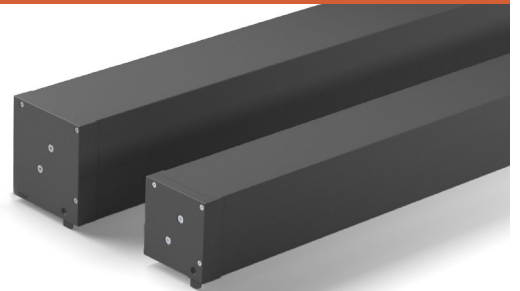
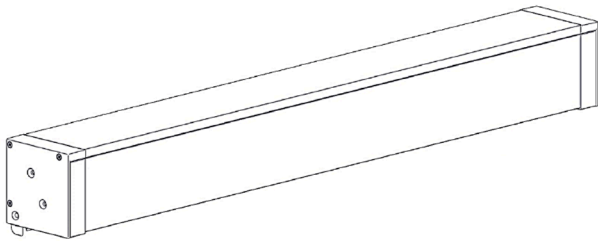
Open Brackets



Stainless steel open brackets available. Surcharge applies.

Headbox

Surcharge applies.



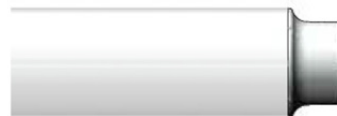
Box 160 - Suitable for blinds up to 7m in width and a max drop of 3m (21m<sup>2</sup> max area)

Box 120 - Suitable for blinds up to a 5.8m width and a max drop of 3m (15m<sup>2</sup> max area)

Tube

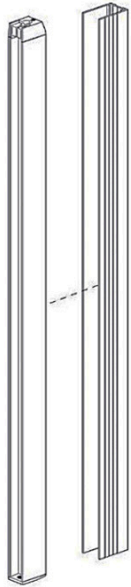


Tube with reducer attached.

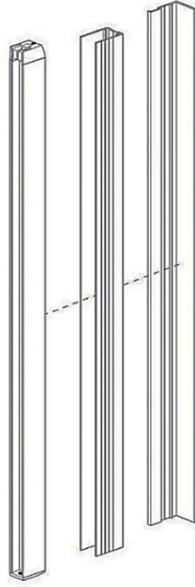


Side Guides & U Mounting Rail

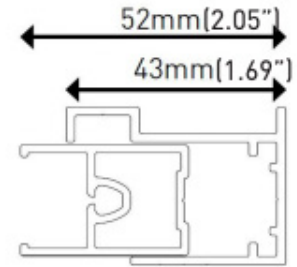
Side Guides: Side Fix



Side Guides: Face Fix



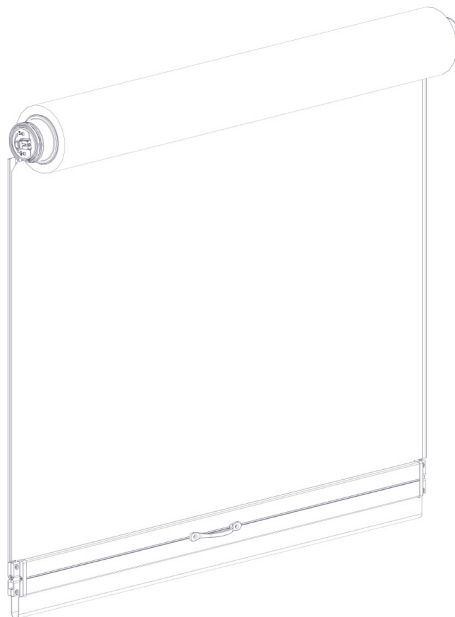
U Mounting Rail (Optional)



The overall dimension when using the Face Fix U Mounting Rail and inner rail is 43mm - 52mm

Screen with 2 Base Rail Options

The standard **F56 Base Rail** is included at all sizes and colour matched to the headboard and/or side channels.



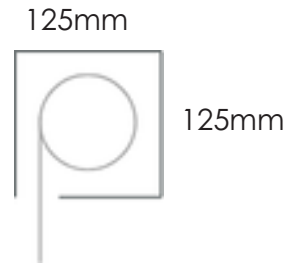
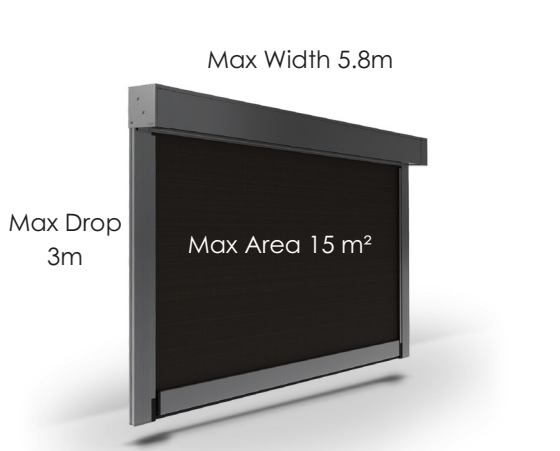
Standard upgrade to **F72 Base Rail** applies to Zipcreens over 4m wide (included in price). If under 4m wide it is available as an optional upgrade (see Options).

F56 Options	
Widths	Colours
800mm - 4000mm	White Classic Cream Paperbark Natural Anodised Monument Woodland Grey Black Custom*
	*Surcharge applies. Expect a longer lead time.

F72 Options	
Widths	Colours
4001mm - 7000mm	White Woodland Grey Black Monument Natural Anodised Custom*
	*Surcharge applies. Expect a longer lead time.

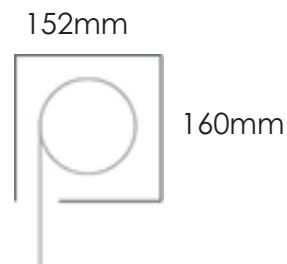
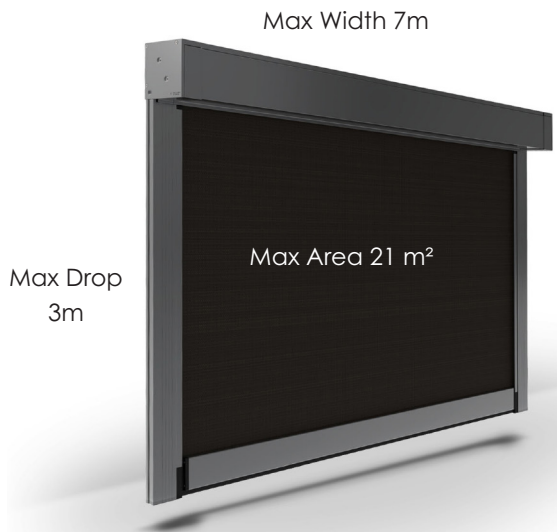


Capacity



**Headbox 120**

Suitable for blinds up to a 5.8m width and a max drop of 3m (15m<sup>2</sup> max area)



**Headbox 160**

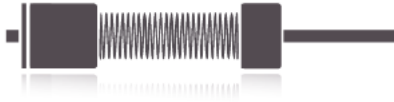
Suitable for blinds up to 7m in width and a max drop of 3m (21m<sup>2</sup> max area)

Always measure looking from the front of the Zipscreen with the blind as a back roll.

**!** Zipscreen orders received are assumed to be provided make size (outside box measurement). We do not take any further deductions.

### Manual: Spring

Manual spring-loaded handle operation.



When ordering the Spring Assist control, please also select the Wind Lock.

### Manual: Crank Gear

Easy-to-use manual crank operation, unobtrusive design, removeable crank.



Sizes Available:  
1000mm  
1500mm  
2000mm

### Motorised: Rollease Acmeda Range

#### Automate Motors

FT S60 for Zipscreens (under 15m<sup>2</sup>)

#### Automate Remotes

5 Channel

15 Channel

Push Pro

#### Automate Sensors

Automate Wind + Sun Sensor (solar)

Automate Pulse / WiFi Hub (suitable with all ARC motors)

Repeater

### Motorised: Somfy Range

#### Somfy Motors

Altus 50 RTS 6/32 (up to 6m<sup>2</sup>)

Altus 50 RTS 25/17 (between 6 & 8m<sup>2</sup>)

Altus 50 RTS 40/17 (between 9 & 10m<sup>2</sup>)

#### Somfy Remotes

Situo 1 Channel (Pure)

Situo 5 Channel (Pure)

#### Somfy Sensors

Eolis RTS Sensor (wind)



#### Motor Programming Guide

Click here to download the Automate programming guide.



#### Motor Programming Guide

Click here to download the Somfy programming guide.

### Motorised: HVG Range

#### Motors

HVG LinX Battery-powered motor

#### Remotes & Hub

Linx® Hand Held remote 1 Channel

Linx® Hand Held remote 15 Channel

Linx® Hub

#### Charging Cables & Solar

Linx® Volt Recharge Cable 3M USB C-Type

Linx® External Charging Port 150mm USB C-Type

Linx Volt Solar Panel with cover

### Motorised: WhisperTech™ Range

#### Motors Wire-Free

WhisperTech 10Nm (1m min width, 5.8m max width, 15m<sup>2</sup> max area)

#### Remotes & Extras

Bond Bridge Hub

6 Channel Remote

USB-C Charger with Magnetic USB-C Connector. (A USB-C Connector will be provided for every WhisperTech motorised blind. Adaptor not included).



#### Motor Programming Guide

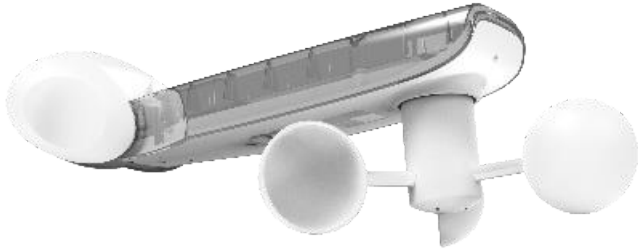
Click here to download the WhisperTech programming guide.

### Minimum Width per Operation Type

Operation type	Minimum Width
Spring Compact	550mm
Spring Light	730mm
Spring Standard	930mm
Spring Heavy	1080mm
Spring Extra Heavy	1290mm
Spring Ultra Heavy	1460mm
Crank	500mm
15 Nm Motor (Automate FT S60)	770mm
10 Nm Motor (Linx Volt Torque Battery)	1000mm
10 Nm Motor (WhisperTech Battery-operated)	1000mm



Solar Sensor: Automate ARC



The solar-powered ARC Wind and Sun Sensor naturally reacts to the elements to automatically open or close a Zipscreen. Works to a range of 35m<sup>2</sup> for indoors, 200m open area.



**Set Up Guide**

Click here to download Automate Solar Power, Wind, Light & Rain set up guide.

Solar Sensor: Soliris RTS



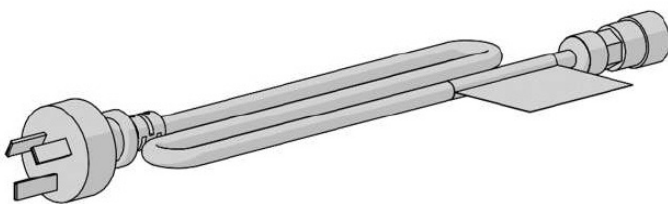
The Soliris RTS Sun and Wind Sensor automatically controls your RTS motorised products based on current weather conditions.



**Set Up Guide**

Click here to download Soliris RTS Sensor set up guide.

Automate Molex with Plug



- Provides a quick & easy connection option for installation of our external motors when a nearby GPO is available.
- Pre-terminated with a standard 3-pin plug, so an electrician is not required on site to complete the job.
- Maintains the use of the in-line connection.

Automate External 240V AC Wind & Light Sensor



Features an anemometer to measure wind speed and a lux meter to measure light intensity and perform an automated action.

Integrated LDC displaying signal strength, wind speed and lux values. Switches to off mode for energy saving.

Compatible with all ARC external motors.

Can be mounted to the roof, wall, eave or fascia, to suit your requirements.

Remote: Push 1 Channel



Push 1 Channel remote offers intuitive, user-friendly operation with tactile buttons, perfect for controlling single blinds or multiple blinds at once. Available in sleek gloss white or elegant matte black, it seamlessly complements the existing Push range with its slim, modern design.

Remote: Push 5 Channel



Remote: Push Pro



For the ultimate convenience, the Push Pro elevates your home automation experience with full home control, complete with built-in timer functionality, custom shade naming, and user-friendly configuration.

Remote: Push 15 Channel



Remote: Automate RF White 5-Channel



The Automate Paradigm surface mount switch features a contemporary design and a wire-free deployment, making it retrofit-ready for any location. Paradigm 5-channel switches are perfect for all internal motorised blind applications.

Remote: Situo RTS



Control all Radio Technology Somfy® (RTS) products such as draperies, roller/Roman shades, awnings and LED lights with an elegant Situo® RTS control. Sporting a sleek modern look, it's sure to add a touch of elegance to any decor.

Remote: Remote: Linx® Hand Held remote 1 Channel & Linx® Hand Held remote 15 Channel



1 CHANNEL

2-15 CHANNELS

Remote: Whispertech 6 Channel



- 6 channels
- 1 group
- Simple to program with the Whispertech 1.1Nm and 2Nm battery-operated motors

Automation: Automate Pulse Hub

Smartphone control is only available with the Automate motor + Pulse Hub - additional surcharge applies.



#### Set Up Guide

Click here to download Automate Pulse set up guide.



#### Programming iOS

Click here to download the programming guide for iOS.



#### Programming Android

Click here to download the programming guide for Android.



Automation: Connexoon Windows RTS

Connexoon Window RTS is an intuitive, smart and playful app control solution designed to simplify your life.

- Control for up to 30 RTS channels per Connexoon from iOS and Android devices
- 4 scenarios per Connexoon
- 4 modes per Connexoon
- 8 schedules per Connexoon
- Automate window coverings with Scenes and Schedules
- Supports Up/Down/Stop commands and incremental control (tilt/brightness)
- Remote access via internet connection
- Ability to connect 4 smartphone devices
- Compatible with entire range of RTS products
- IFTTT (If This, Then That) compatible
- Ability to control via third-party voice assistants include Google Home and Amazon Echo
- Trigger scenes and schedules using voice commands or pre-set automations



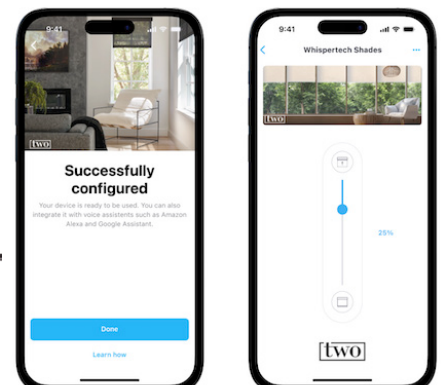
Automation: Linx® Hub



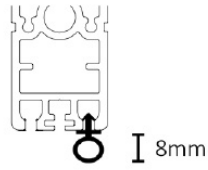
- Radio Frequency Range: 80-100m line of sight.
- WIFI 2.4 GHZ | Power 5V-1A DC
- Size: 135mm x 74mm x 32mm
- 5 years replacement warranty

Automation: Bond Bridge Hub

- Facilitates complete automation of your motorised roller blinds.
- Seamlessly integrates with the Whispertech™ motor for enhanced user experience. It is also compatible with Rollease Acmeda motors.

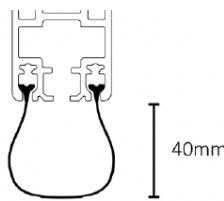


Bubble Strip



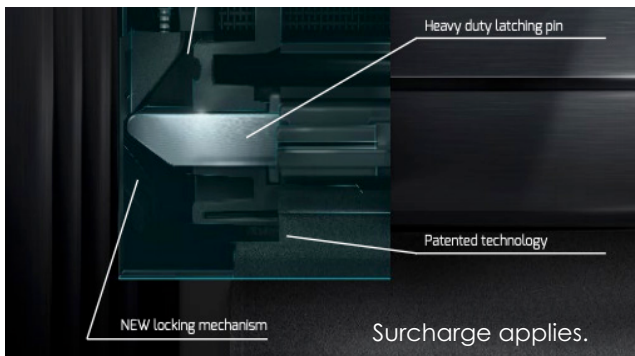
The Bubble Strip is the default factory option unless otherwise specified.

Ultra Seal



The Ultra Seal is the only option available for the Ultra Lock. The Ultra Seal comes standard with the Ultra Lock when Ultra Lock is selected. As the Ultra Lock drops down in order to unlock itself, the Ultra Seal allows for the deduction at the bottom. No other seal is appropriate for the Ultra Lock.

Ultra Lock



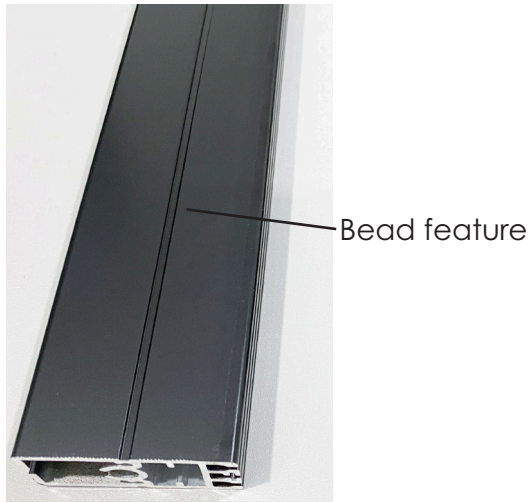
The Ultra Lock utilises a heavy-duty latching pin and hidden integration to secure and tension your blind; ensuring a reinforced, ultra-smooth fabric finish. The Ultra Seal comes standard with this lock. (Only available with Spring operated)

Wind Lock



The Wind Lock comes standard with the Spring Assist control.

Base Rail - F56



Base Rail - F72



The F72 comes factory standard with the Zipscreen Extreme (4m - 5.8m wide).

F56 Options

Widths	Colours
800mm - 4000mm	White Classic Cream Paperbark Natural Anodised Monument Woodland Grey Black Custom* *Surcharge applies

F72 Options

Widths	Colours
4001mm - 7000mm	White Woodland Grey Black Natural Anodised Custom* *Surcharge applies with a longer lead time

Headbox

Surcharge applies.



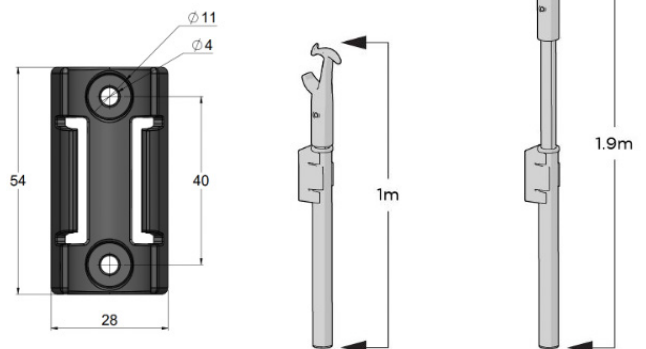
Full enclosed cassette



Semi fascia

Pull Stick

Allows for easy extension up to 1.9 meters with a simple twist to unlock. The plastic hook minimizes the risk of accidental powder coat damage, ensuring durability. It also includes a convenient wall mounting clip for effortless storage. Plus, all plastic components are equipped with UV stabilizers for extended outdoor use.



## ZIPSCREEN | OPTIONS

### Plastic Handle

Zipscreen branded plastic weight bar handle.



### Handle

Handle available in stainless steel and dark grey







# Shadesol

## ZIPSCREEN EXTREME

To ensure you are reading the most up to date product information, always refer to the latest version of the product guide. The latest version is available to download from the Sales & Marketing Centre.

If you have any product, installation, ordering or pricing questions, please contact your TWO Account Manager for assistance.

For pricing, please refer to the price and surcharge list.

**Swatched Range**

To order your Shadesol fabric swatch book, please contact your TWO Account Manager.

Fabric	
Group 1	Colours
X-Weave 5%	Ebony, Charcoal, Flint, Monument, Woodland Grey, Shale Grey, Paperbark, Surf Mist, Snow
Group 2	
X-Weave 1%	Ebony, Charcoal, Monument

Shadesol X-weave fabrics have been fire tested and certified as fire retardant.

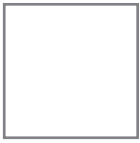
**All Other Fabric Ranges**

The below range of fabrics are available to order while stock last.

Fabric
Group 1
SolarView
Group 2
Visiontex View 85%
Ricky QM5
Kleenscreen
Group 3
Visiontex Plus 94%
Visiontex Ultra 99%
Outlook Mode 95%
Group 4
Mode Privacy 99%
Visiontex Extreme
Mode Zero

## ZIPSCREEN EXTREME | FABRIC & COLOURS

### Standard Colours



White



Woodland  
Grey



Black



Monument



Custom

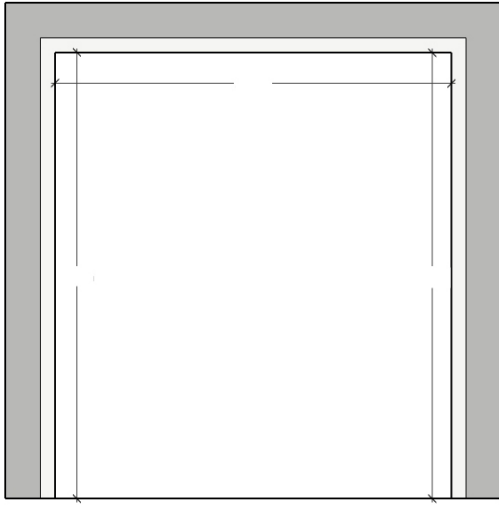
Hardware is available in 4 standard colours plus the option to custom powder coat.

### Custom Colours



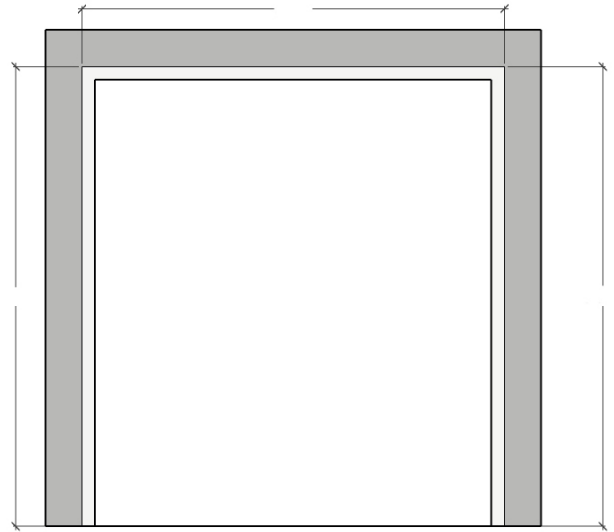
For custom colours, please refer to the current Dulux Powder Coat Selector.

Side Fit



Side Fit (Inside): The Zipscreen is installed on the inside of the opening.

Face Fit



Face Fit (Outside): The Zipscreen is installed on the front of the opening.

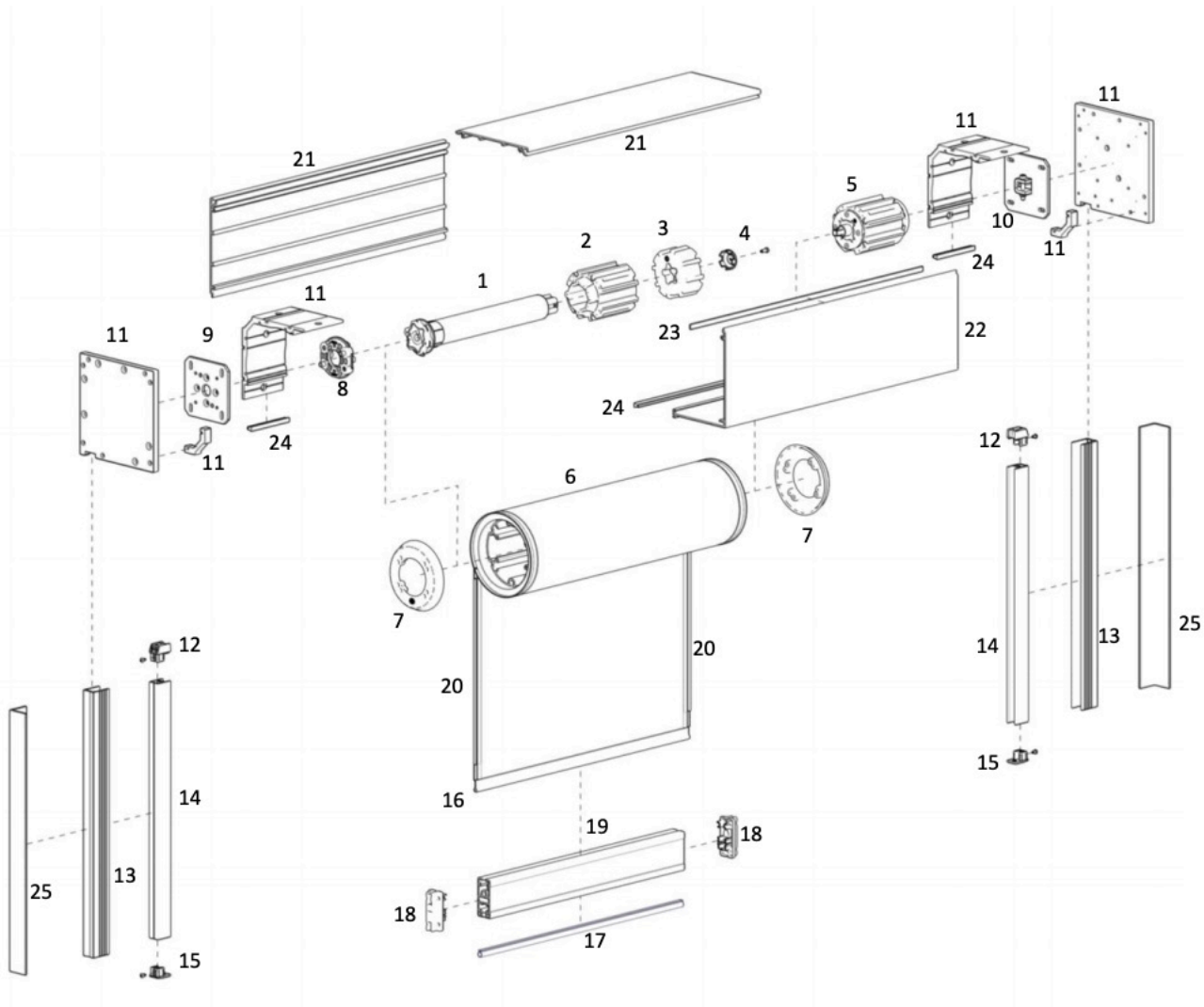
When determining the mount, check for any obstructions within or outside of the opening such as hand rails and check for out-of-square measurements, which may affect the operation of the screen as it moves up and down.





Componentry Breakdown

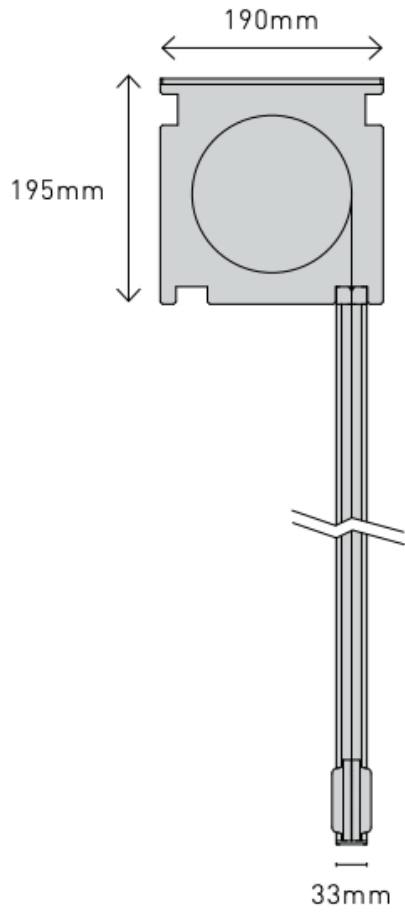
Zipscreen Extreme, Box 190, Motor, F72 Weight Bar



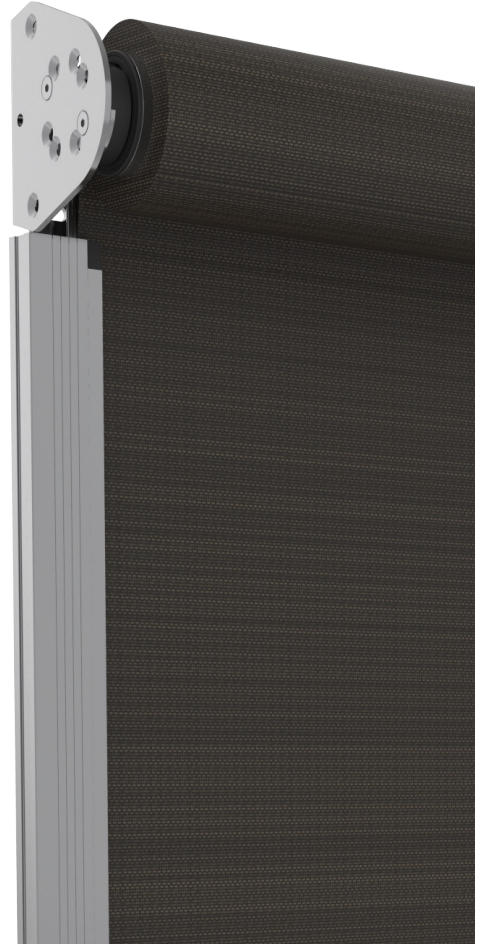
**Item # Description**

- |   |   |
|---|---|
| 1. AX50 Acmeda Motor                              | 14. Zipscreen – Zip Inner Rail                |
| 2. Extreme Crown Wheel – S100                     | 15. Zipscreen – Zip Inner Rail Bottom Cap Set |
| 3. Extreme Drive Wheel – S100                     | 16. Spline – 7.2mm with tail                  |
| 4. Motor Clip supplied with X50 Motor             | 17. Bubble Seal                               |
| 5. Extreme Bearing Idler                          | 18. F72 HD Weight Bar End Caps                |
| 6. S100 Aluminium Tubes                           | 19. F72 HD Weight Bar                         |
| 7. S100 – ZIP Reducer End Plate Set               | 20. Zip – No. 6 Gauge, Double Sided           |
| 8. Universal Zamak Adaptor                        | 21. Box 190 Top & Back Extrusion              |
| 9. Extreme Sq. Cntrl Bracket Plate – SIDE FIX     | 22. Box 190 Front Cover Extrusion             |
| 10. Extreme Sq. Idle Bracket Plate – SIDE FIX     | 25. Fixing Rail (Face Fix installation)       |
| 11. Box 190 End Plate Set & Screws for both sides |   |
| 12. Zipscreen Inner Rail Funnel & Stop Set        |   |
| 13. Zipscreen – U Mounting Rail                   |   |

Open Brackets

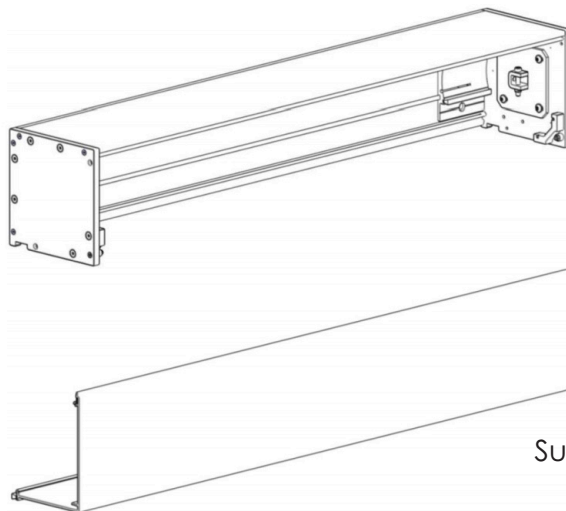


Back Roll only.



Stainless steel open brackets available. Surcharge applies.

Headbox



Surcharge applies.

Tube



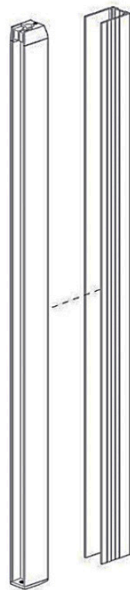
Tube with reducer attached.



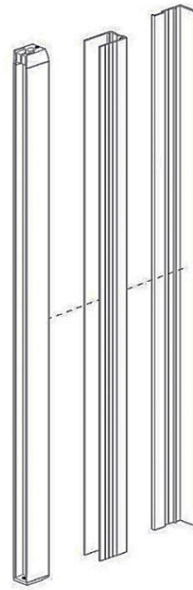
Note: 110mm Aluminium tube for blinds up to 5m, anything over will need a 130mm tube.

Side Guides

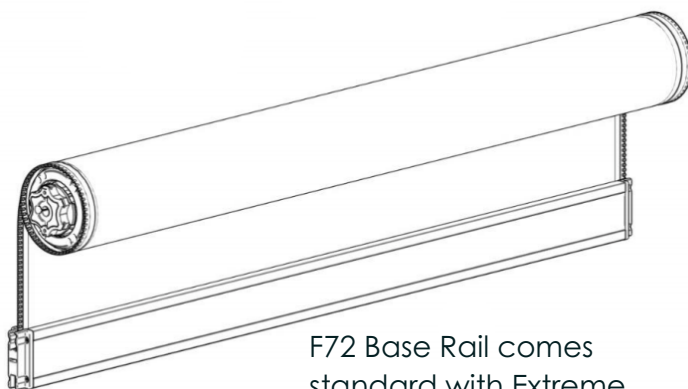
Side Guides: Side Fix



Side Guides: Face Fix

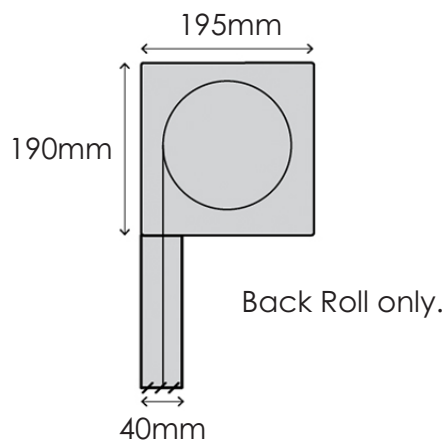


Screen with F72 Base Rail

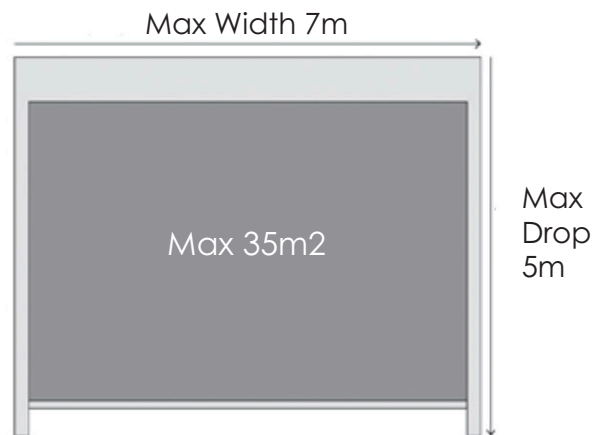


F72 Options	
Widths	Colours
Up To 7000mm	White
	Woodland Grey
	Black
	Monument
	Natural Anodised
	Custom*
	*Surcharge applies. Expect a longer lead time.

Side View



Front View



Always measure looking from the front of the Zipscreen with the blind as a back roll.

**!** Zipscreen orders received are assumed to be provided make size (outside box measurement). We do not take any further deductions.



Only motorised operation is available for Zipscreen Extreme.

**Motorised: Rollease Acmeda Range**

**Automate Motors**

AX50 for Extremes (under 35m<sup>2</sup>)

**Automate Remotes**

5 Channel

15 Channel

**Automate Sensors**

Automate Wind + Sun Sensor (solar)

Automate Pulse / WiFi Hub (suitable with all ARC motors)

Repeater

**Motorised: Somfy Range**

**Somfy Motors**

Altus 50 RTS 50/12 (over 10m<sup>2</sup> and must be used on Zipscreen Extreme)

**Somfy Remotes**

Situo 1 Channel (Pure)

Situo 5 Channel (Pure)

**Somfy Sensors**

Eolis RTS Sensor (wind)



**Motor Programming Guide**

Click here to download the Automate programming guide.



**Motor Programming Guide**

Click here to download the Somfy programming guide.

Solar Sensor: Automate ARC



The solar-powered ARC Wind and Sun Sensor naturally reacts to the elements to automatically open or close a ZipScreen. Works to a range of 35m<sup>2</sup> for indoors, 200m open area.



**Set Up Guide**

Click here to download Automate Solar Power, Wind, Light & Rain set up guide.

Solar Sensor: Soliris RTS



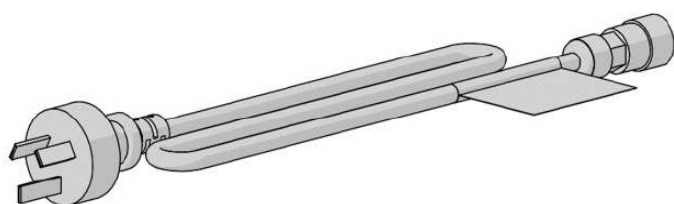
The Soliris RTS Sun and Wind Sensor automatically controls your RTS motorised products based on current weather conditions.



**Set Up Guide**

Click here to download Soliris RTS Sensor set up guide.

Automate Molex with Plug



- Provides a quick & easy connection option for installation of our external motors when a nearby GPO is available.
- Pre-terminated with a standard 3-pin plug, so an electrician is not required on site to complete the job.
- Maintains the use of the in-line connection.

Automate External 240V AC Wind & Light Sensor



Features an anemometer to measure wind speed and a lux meter to measure light intensity and perform an automated action.

Integrated LDC displaying signal strength, wind speed and lux values. Switches to off mode for energy saving.

Compatible with all ARC external motors.

Can be mounted to the roof, wall, eave or fascia, to suit your requirements.

Remote: Push 5 Channel



Remote: Situo RTS



Control all Radio Technology Somfy® (RTS) products such as draperies, roller/Roman shades, awnings and LED lights with an elegant Situo® RTS control. Sporting a sleek modern look, it's sure to add a touch of elegance to any decor.

Remote: Push 15 Channel



Remote: Push 1 Channel



Push 1 Channel remote offers intuitive, user-friendly operation with tactile buttons, perfect for controlling single blinds or multiple blinds at once. Available in sleek gloss white or elegant matte black, it seamlessly complements the existing Push range with its slim, modern design.

Remote: Automate RF White 5-Channel



The Automate Paradigm surface mount switch features a contemporary design and a wire-free deployment, making it retrofit-ready for any location. Paradigm 5-channel switches are perfect for all internal motorised blind applications.

Automation: Automate Pulse Hub

Smartphone control is only available with the Automate motor + Pulse Hub - additional surcharge applies.



**Set Up Guide**

Click here to download Automate Pulse set up guide.



**Programming iOS**

Click here to download the programming guide for iOS.

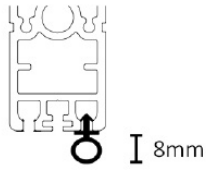


**Programming Android**

Click here to download the programming guide for Android.

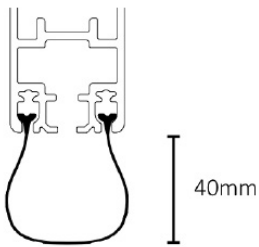


Bubble Strip



The Bubble Strip is the default factory option unless otherwise specified.

Ultra Seal



Headbox

Surcharge applies.



Full enclosed cassette



Semi fascia

Wind Lock



The Wind Lock comes standard with the Spring Assist control.

Base Rail - F72



F72 Options

Widths	Colours
Up To 7000mm	White Woodland Grey Black Monument Natural Anodised Custom*  *Surcharge applies

The F72 comes factory standard with the Zipscreen Extreme.



**Head Office & Factory**  
347 Macdonnell Road  
Clontarf QLD 4019

**Phone** 1300 183 910  
**Email** [orders@two-australia.com](mailto:orders@two-australia.com)  
**Web** [www.two-australia.com](http://www.two-australia.com)

