

V300125



CLASSIC PAULOWNIA PRODUCT & ORDERING GUIDE



TWO GUIDELINES

Orders that are released to TWO are processed in the most timely manner possible. As such, any changes made to an order once it is released to TWO cannot be guaranteed to be applied if the order is already in production. Initial costs, cancellations or any change costs will be the responsibility of the dealer to cover.

All drawings, notes and emails with questions must be answered before an order is entered in to the production line. Delays in the timely processing of these by customers will lead to longer lead times.

All factory/freight repairs are to have photographic/video proof. If neither are available at the time of placing the repair, it will be processed as a dealer responsibility. TWO will credit back the cost of the repair once proof of factory/freight responsibility is given.

For special request/non-standard/limited availability items please check first with Head Office for availability. Any surcharges for these items will be the responsibility of the dealer to cover, even if it is not listed on the price list.

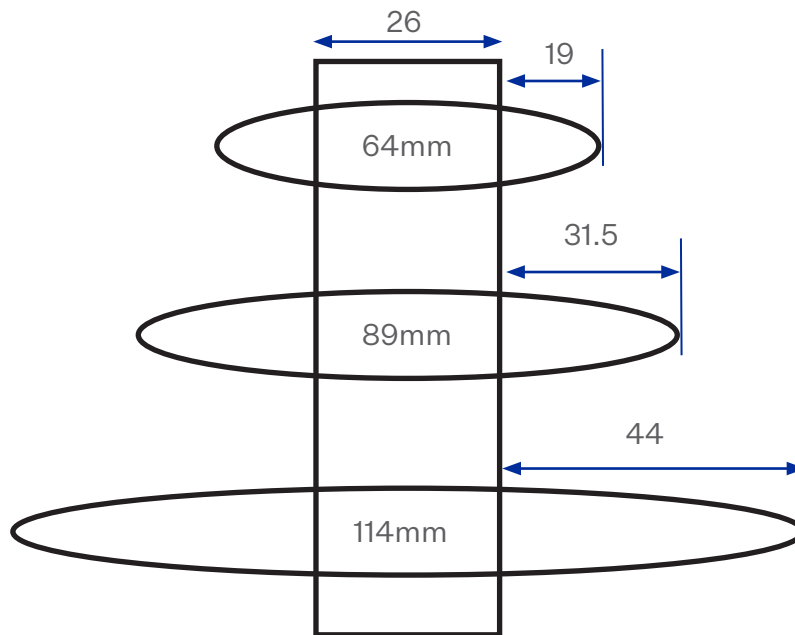
PDF Estimates generated from the system may not reflect final pricing. If all items are not selected in the order form, or details are added to the notes section that may alter the price.

All dealers are responsible for having the most current price lists and product manuals. If unsure please contact your sales representative to confirm.

BLADE OPTIONS

* ALL MEASUREMENTS ARE IN MILLIMETERS

Blade Profile	Elliptical	Elliptical	Elliptical
Blade Sizes	64	89	114
Blade Thickness	10	11	11



MINIMUM REVEAL DEPTHS

Minimum reveal depths can be found on each installation method header page. Please measure from the most protruding object in the reveal. The most common window types are listed below with reminders of where to measure from to confirm that there is enough reveal depth for your chosen installation method.

Double-hung window: handles that lift the inside window

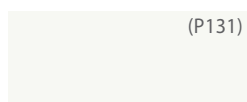
Casement window: crank handle

Sliding windows: slider handle/ storm bar

COLOUR OPTIONS

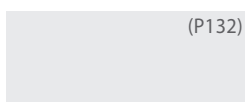
PAINTED COLOURS:

The following 8 colours, are TWO's new standard painted colour range, available to order from the 14 December 2023. Contact your Account Manager to order fandeck swatching.



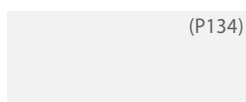
(P131)

Colour inspired by Dulux Vivid White™



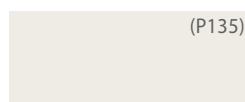
(P132)

Colour inspired by Dulux Lexicon®



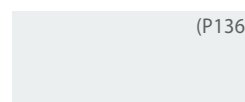
(P134)

Colour inspired by Dulux Lexicon® Quarter



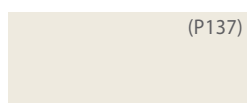
(P135)

Colour inspired by Dulux Natural White™



(P136)

Colour inspired by Dulux White on White™



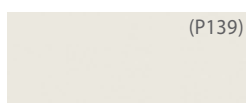
(P137)

Colour inspired by Dulux Antique White U.S.A®



(P138)

Colour inspired by Dulux Hog Bristle® Quarter

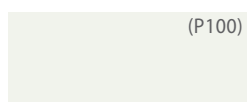


(P139)

Colour inspired by Dulux Whisper White

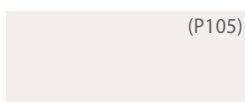
OLD PAINTED COLOURS:

The old painted colour range will be available until further notice.



(P100)

White



(P105)

Silk White



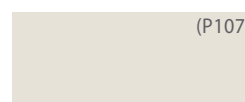
(P104)

Shell



(P103)

Ivory



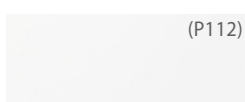
(P107)

Alabaster



(P113)

Whisper White



(P112)

Antique White



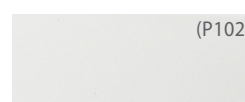
(P106)

Pearl



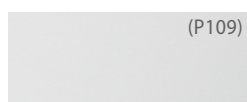
(P108)

Dove



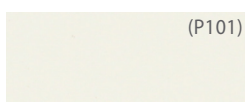
(P102)

Sandy Day



(P109)

Grey



(P101)

Clotted Cream



(P90)

TWO White

Please ensure that you have the most up to date swatching as colors may vary between supplied decks. Contact your sales representative to order new swatching if needed.

CUSTOM COLOURS:

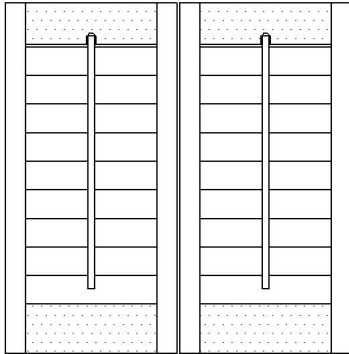
Choose from the Dulux World of Colour Series II fan deck.

IMPORTANT NOTE: Custom colours are matched to the Dulux World of Colour fan deck. If you are unsure if the requested colour is from this deck it is best to supply a sample that will be sent to our factory for colour matching.



TILT RODS

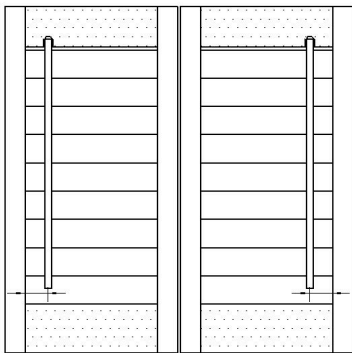
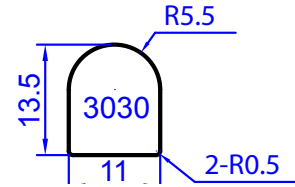
FRONT FACING TILT RODS



TRADITIONAL CENTER

The classic timber tilt rod.

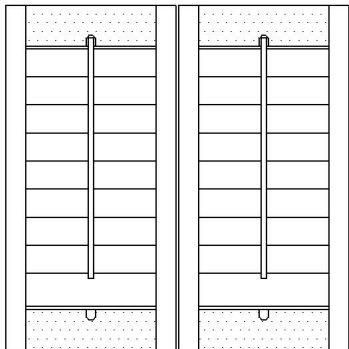
Default Position: Front of panel



OFFSET 40

An alternative take on the traditional center rotation. Minimizes view interruption.

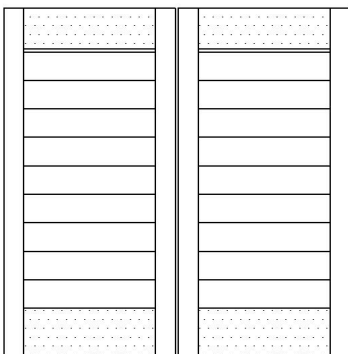
Default Position: Front of panel on hinged side.



EURO 180: AVAILABLE IN BOTH TILT RODS

Provides 180 degrees of rotation.

REAR FACING TILT ROD



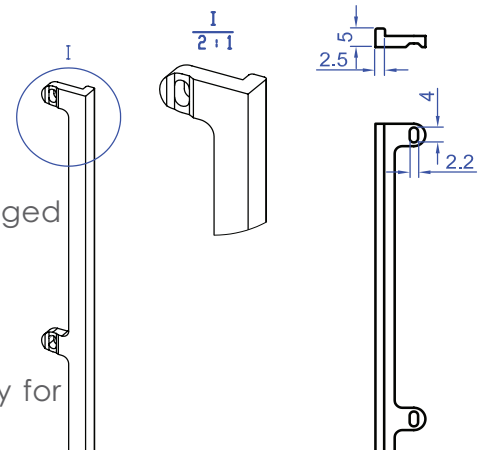
CLEARVIEW

Best option for an uninterrupted view.

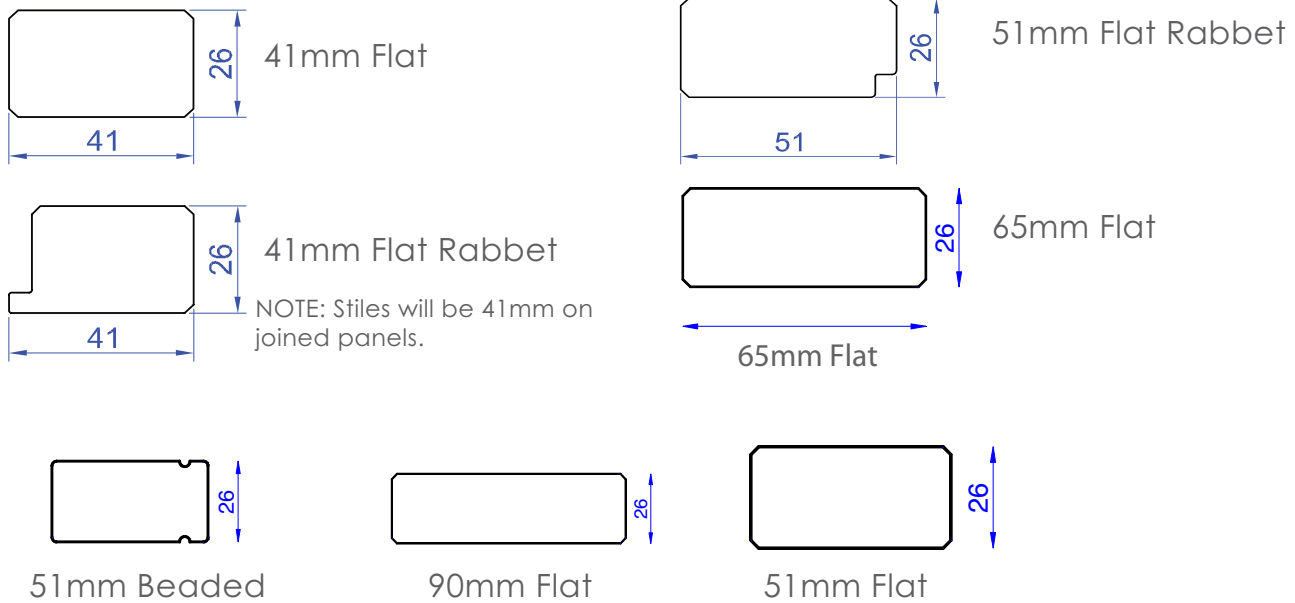
Default Position: Rear of panel on hinged side.

EURO CLEARVIEW

This option is a non-warranty item only for blade closure only.



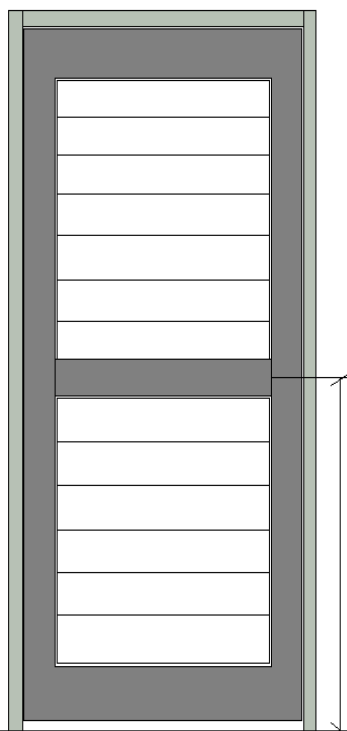
STILES



RAILS

You can now select a mid rail location that is critical within 20mm up or down. This will allow the factory to automatically adjust the mid rail if necessary (within 20mm +/-), to ensure the top and bottom rails are within workable limits.

By selecting a critical mid rail position allowing for a 20mm +/- adjustment, means the factory will not need to ask for approval from you, and you will not need to request a drawing, speeding up the order process.



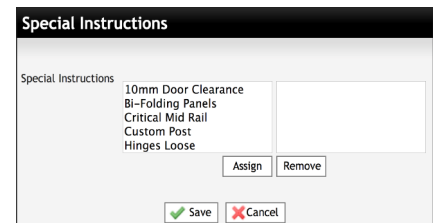
HOW TO MEASURE:

Measure from bottom of opening to centre point of required mid-rail.

Mid-rail placement is within + or - one blade size.

Min. Top & Bottom Rail - 75mm
Max. Top & Bottom Rail - 180mm

If position is critical, please select 'Critical Midrail' option in special instructions.



Rail Type	Tilt Type	Blade	Size
Standard	Centre & Clearview	89	76 x 20 (2001)
		64 & 114	101 x 20 (2002)
Euro	Centre & Clearview	89	70 x 20 (2025)
		64 and 114	95 x 20 (2026)

SPLIT ROTATION

Split Rotation is when the tilt rod is divided so that the blades can be operated in different sections. The split rotation is measured from the bottom of the opening to the requested split point. Each section has a tension screw so you can adjust the tension for each bank of blades.

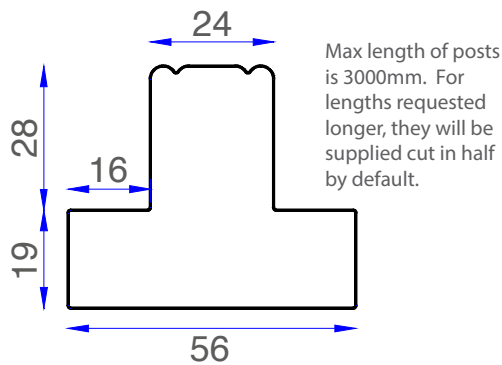
If no height is specified, the factory will automatically split the tilt rod when the height exceeds a certain limit. This ensures the structural integrity of the blades and proper blade closure. Check the warranty sheet for more details.

To request a split rotation when ordering, enter one of the following options in the Split Rotation Height field:

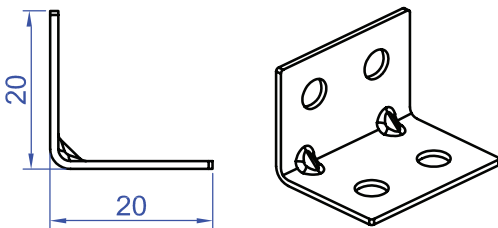
- 1/2
- 1/2 above midrail (if the item has a midrail)
- 1/2 below midrail (if the item has a midrail)
- 3 equal sections
- 1/2 above and below midrail (if the item has a midrail)
- Or enter the specific measurement you need.

T-POST

UNEVEN PANEL WIDTHS



T POST SUPPORT BRACKET



HINGES

PIVOT HINGE



NON-MORTISE HINGE



BI-FOLD HINGE



STANDARD HINGE COLOURS

New Colours

Panel Colour	Hinge Colour
Dulux Vivid White	White
Dulux Lexicon	White
Dulux Lexicon Quarter	White
Dulux Natural White	White
Dulux Antique White USA	Ivory
Dulux Hog Bristle Quarter	Ivory
Dulux Whisper White	Ivory

Old Colours

Panel Colour	Hinge Colour
Alabaster	Ivory
Antique White	White
Clotted Cream	Ivory
Dove	Ivory
Grey	Stainless Steel
Ivory	Ivory
Pearl	Ivory
Sandy Day	Stainless Steel
Shell	White
Silk White	White
Whisper White	White
White	White

AVAILABLE HINGE COLOURS

Hinge Colour	Hinge Type			
	Non-Mortise	Pivot	Bi-Fold	L
Ivory	Yes	Yes	Yes	-
Stainless Steel	Yes	Yes	Yes	Yes
White	Yes	Yes	Yes	Yes
Black	Yes	-	Yes	-

NUMBER OF HINGES PER PANEL

Panel Height	Hinge Quantity
< 1220mm	2
1220mm - 1980mm	3
1980mm - 2440mm	4

BULLET MAGNETS

Bullet magnets come standard rebated into the top and bottom of the panel. No bullet magnets are supplied for Sliding, Multi-fold or Fixed panels. The below table outlines the striker plate placement with respective panel configurations.

Frame	Hinge	Mounting	Light Block	Striker Plates	Notes
Framed Panels	N/A	N/A	No	Round, attached to the fame	
3 Sided Frame	N/A	N/A	No	Round, attached to frame at the top and light block at the bottom	If "10mm door clearance" is selected, no light block or bottom magnet is supplied
Panel Only	Non-Mortise	Inside	Yes	2 Round, attached to beading	Customer to request light block in the notes.
Panel Only	Non-Mortise	Inside	No	2 L Strikers, supplied loose	
Panel only	Non-Mortise	Outside	No	2 L striker or 2 round, supplied loose	Customer to advise which they would prefer
Panel Only	Pivot	Inside	Yes	2 Roud, attached to beading	
Panel Only	Pivot	Inside	No	2 L Striker, supplied loose	
Panel Only	Pivot	Outside	No	2 Round, supplied loose	

8 NOTE: If frame or panel is supplied with a top section and no bottom section, a round striker plate is supplied for the top and a L supplied for the bottom.

INSTALLATION METHOD: HINGED IN Z FRAME USED ONLY WHEN MOUNTING INSIDE A REVEAL.



BEFORE YOU ORDER

MINIMUM REVEAL DEPTHS*

*Be sure to always measure from the most protruding object in the reveal.

	64mm Blade		89mm Blade		114mm Blade	
	Clearview	Center	Clearview	Center	Clearview	Center
Z Frame	39	34	52	45	64	57

LIMITATIONS

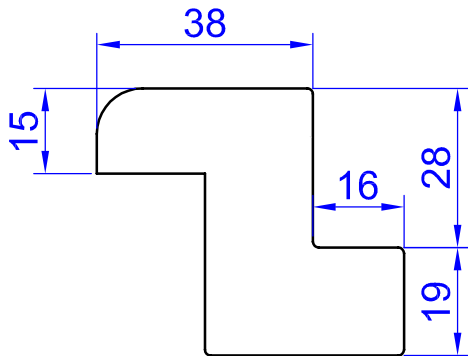
Finish	Installation Method	Width			Height			Panel Breaks			
		Min	Max	Max Non Warranty	Min	Max	Max Non Warranty	Mid-Rail(s) Required	Approximate Split Rotation by Blade Size		
									64	89	114
Painted	Hinged in Z Frame	250	1050	1200	400	3000	N/A	1800, 2700	1100	1300	1200
	Double Hinged	250	600	700	400	3000	N/A	1800, 2700	1100	1300	1200
Note: The factory will automatically split the tilt if ordered sizes exceed factory standards						Max No. of Blades Per Tilt Rod			22	15	11

DEDUCTIONS

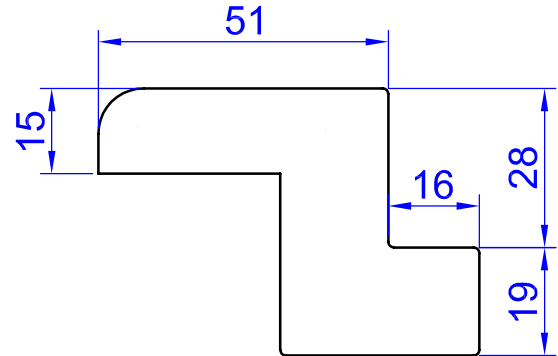
Panel and Reveal	Between Meeting Panels	Between Meeting Panels with D Mould	Between Panel and Frame	Between Frame and Reveal	Hinge Deductions	Overall Panel Deduction
2.5	2.5	5	2.5	2	2.5	5

Z FRAME OPTIONS

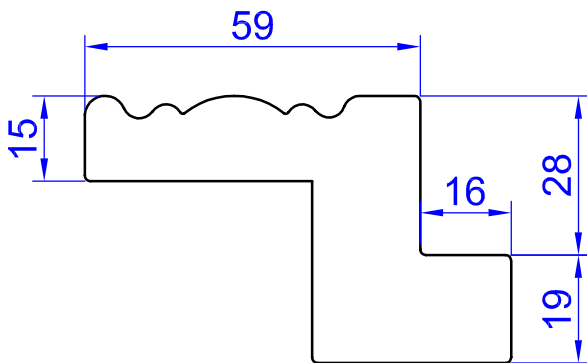
Z STANDARD (4023)



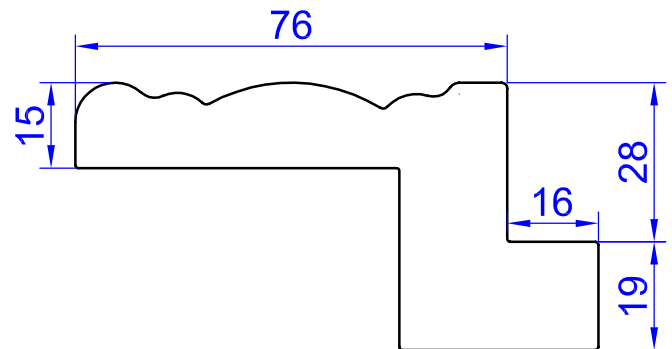
Z LARGE LIP (4022)



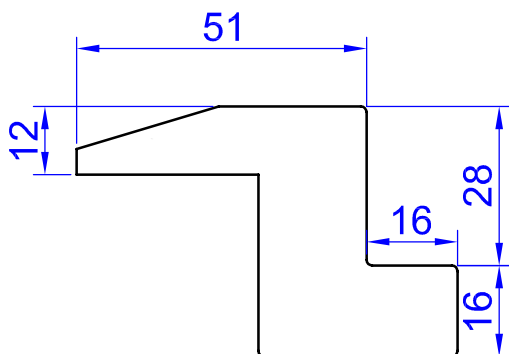
Z DECO (4008)



Z CROWN (4009)

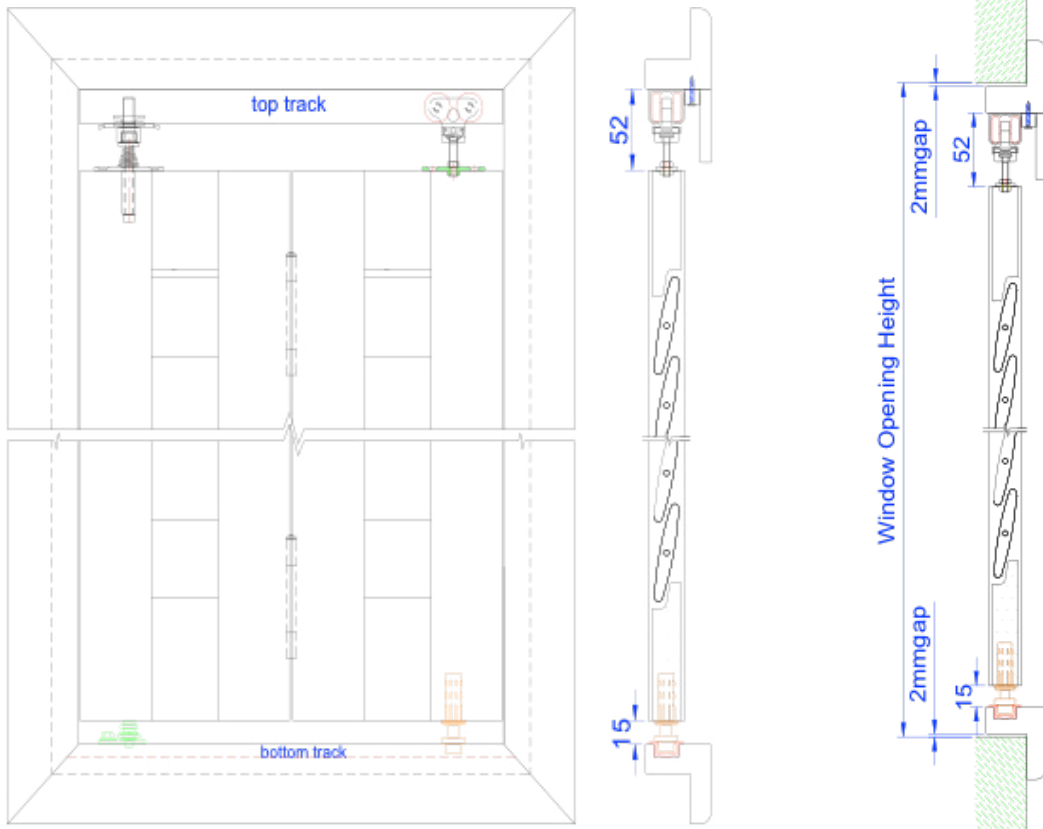


BEVELLED Z (4021)

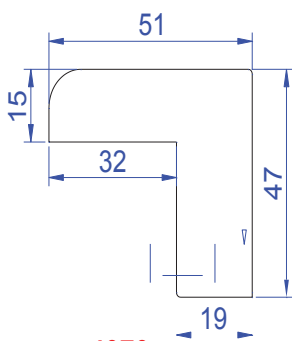


Please note: The Z Standard 4023 is available in Paulownia timber. All other Z frames are in Poplar timber. There may be minor sheen and colour variations between the Poplar frames and Paulownia panels.

Z FRAME WITH TRACKING

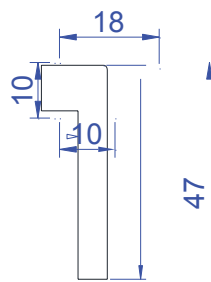


Currently only available with the Large Lip Z Frame. Wheel carrier bracket will be pre-installed on the panel. Top pivot and wheel brackets will be installed in the track.



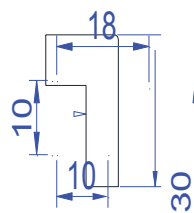
4070

Standard Z



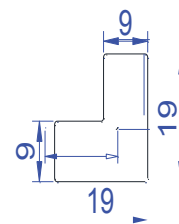
4071

Fascia



4072

Light Block - Bottom

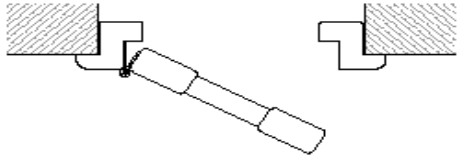


4052

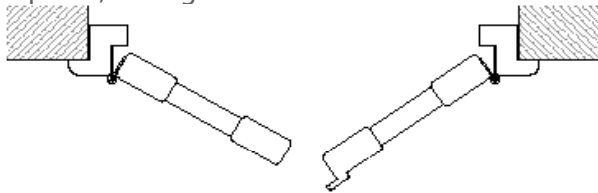
Light Block - Sides

PANEL CONFIGURATION EXAMPLES

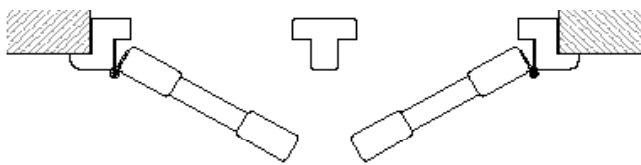
1 panel, Configuration code: L or R



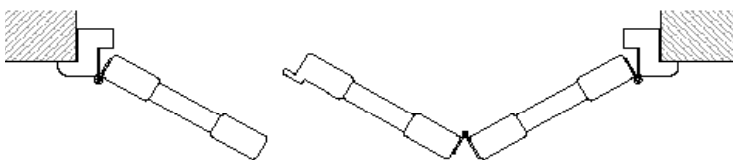
2 panel, Configuration code: L-DR or LD-R



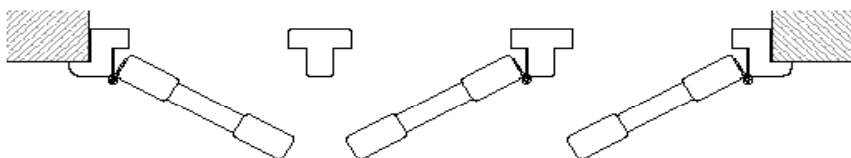
2 panel with T Post, Configuration code: LTR



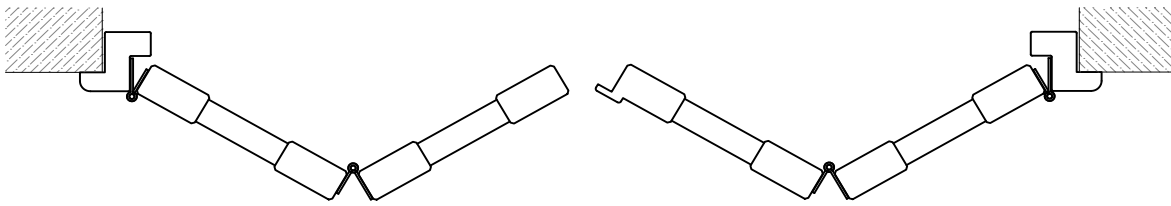
3 panel, Configuration code: L-DRR or LLD-R



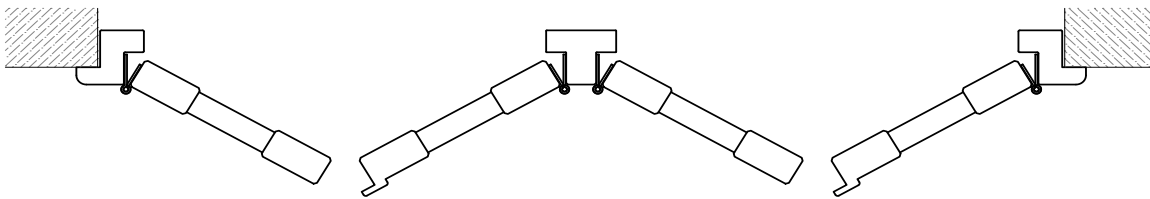
3 panel with T post, Configuration code: LTRTR or LTLTR



4 panel, Configuration code: LL-DRR or LLD-RR

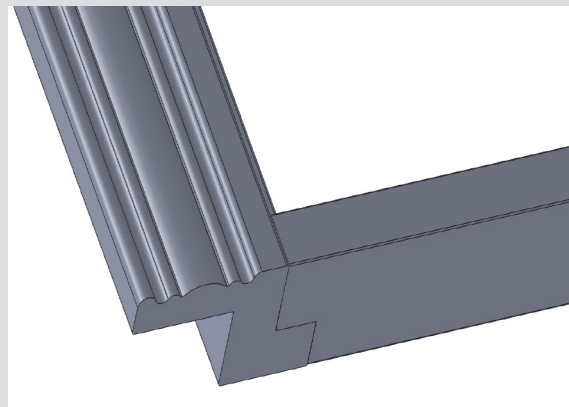


4 panel with T post, Configuration code: L-DRTL-DR or LRTLTR



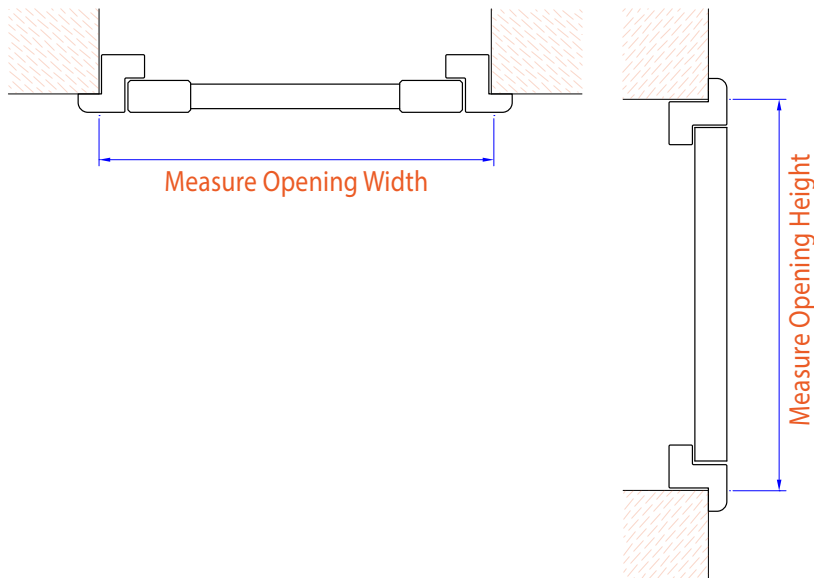
OPTION: SILL PLATE

A Sill Plate is simply an L Frame used for one or more sides of the frame, where a Z frame will not fit. For example: a window with a Sill, cannot use a Z frame on the sill side, so a Sill Plate is used. To order, choose Sill Plate in the Frame Options drop down field.



HOW TO MEASURE

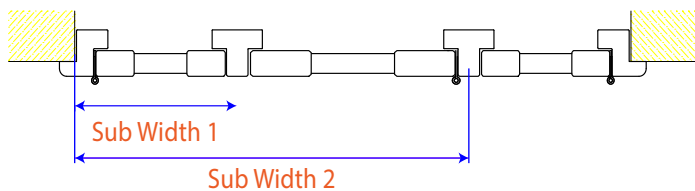
Hinged in Z Frame: Reveal Mount



If you would like T-Posts, you have 2 options:

1. EVEN PANEL SPACING: Enter the T-Posts in your panel configuration and we will do the rest.
2. UNEVEN PANEL SPACING: Click 'yes' on uneven panel widths and enter your sub-widths.

T Posts w/ Uneven Panel Widths



Uneven Panel Widths Yes No

Sub Widths

Enter Width 1

+

Enter Width 2

-

HOW TO ORDER

No. 1: + SQM: 0.0000

Product*: <input type="text" value="HP Painted"/>	Color*: <input type="text" value="- select here -"/>	Split Rotation Height (If Required): <input type="text"/>	Special Instructions
Location: <input type="text" value="- select here -"/>	Blade*: <input type="text" value="- select here -"/>	French Door Cut-out	Extras
Width*: <input type="text" value="Enter Width"/>	Tilt Rod*: <input type="text" value="- select here -"/>	Frame Options*: <div style="border: 1px solid blue; padding: 2px;"> - select here - 3 Sided 4 Sided Frame Sill Plate On Bottom Sill Plate On Left Sill Plate on Right Sill Plate On Top </div>	Notes <input type="text"/>
Height*: <input type="text" value="Enter Height"/>	Stiles*: <input type="text" value="- select here -"/>	Installation Method*: <input type="text" value="Hinged in Z Frame"/>	Needs Drawing <input type="checkbox"/>
Mid-Rail Height: <input type="text"/> +	Installation Type*: <div style="border: 1px solid orange; padding: 2px;"> - select here - Z Deco Z Large Lip Z Standard </div>	Mount*: <input type="text" value="Z Standard"/>	Upload Drawing/Image: <input type="button" value="Choose File"/> No file chosen
Uneven Panel Widths: <input type="radio"/> Yes <input type="radio"/> No	Panel Configuration*: <input type="text" value="- select here -"/>		

INSTALLATION METHOD: HINGED IN L FRAME



BEFORE YOU ORDER

MINIMUM REVEAL DEPTHS*

*Be sure to always measure from the most protruding object in the reveal.

	64mm Blade		89mm Blade		114mm Blade	
	Clearview	Center	Clearview	Center	Clearview	Centre
L Frame	54	47	67	60	79	72

LIMITATIONS

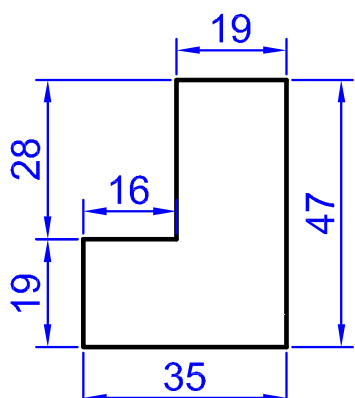
Finish	Installation Method	Width			Height			Panel Breaks			
		Min	Max	Max Non Warranty	Min	Max	Max Non Warranty	Mid-Rail(s) Required	Approximate Split Rotation by Blade Size		
									64	89	114
Painted	Hinged in L Frame	250	1050	1200	400	3000	N/A	1800, 2700	1100	1300	1200
	Double Hinged	250	600	700	400	3000	N/A	1800, 2700	1100	1300	1200
Note: The factory will automatically split the tilt if ordered sizes exceed factory standards						Max No. of Blades Per Tilt Rod			22	15	11

DEDUCTIONS

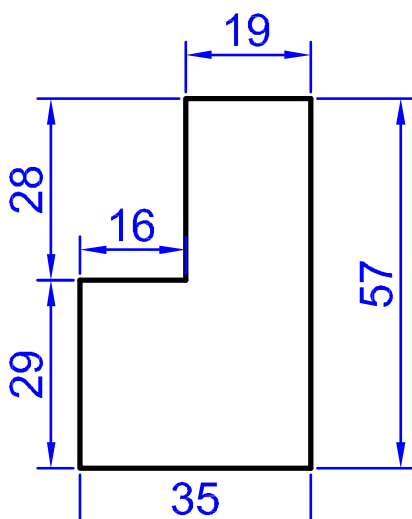
Panel and Reveal	Between Meeting Panels	Between Meeting Panels with D Mould	Between Panel and Frame	Between Frame and Reveal	Hinge Deductions	Overall Panel Deduction
2.5	2.5	5	2.5	2	2.5	5

L FRAME OPTIONS

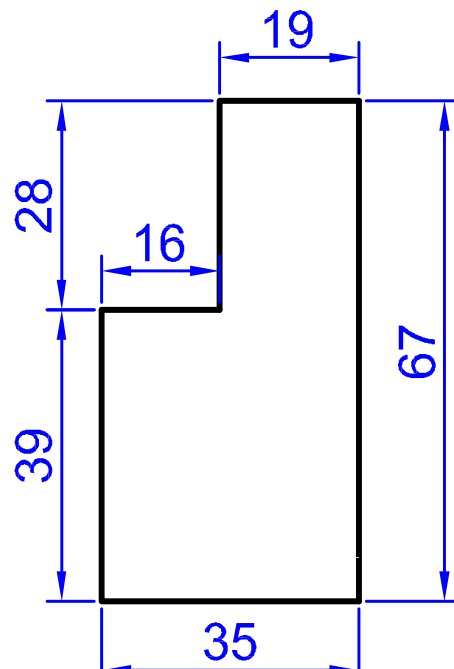
FLAT 47MM (4041)



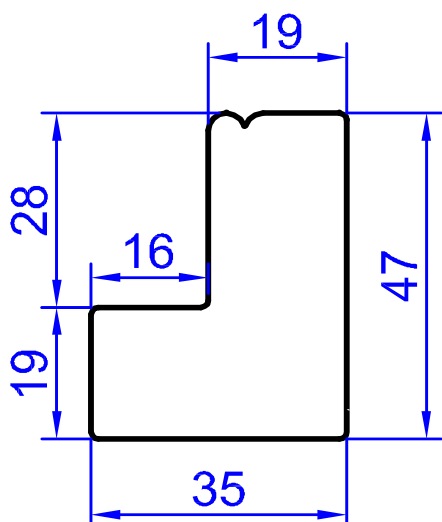
FLAT 57MM (4033)



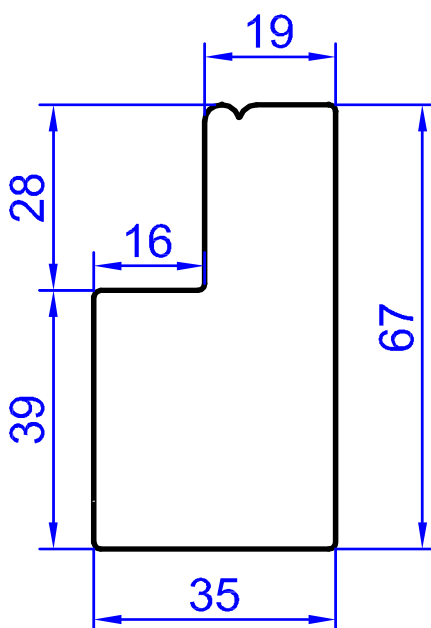
FLAT 67MM (4034)



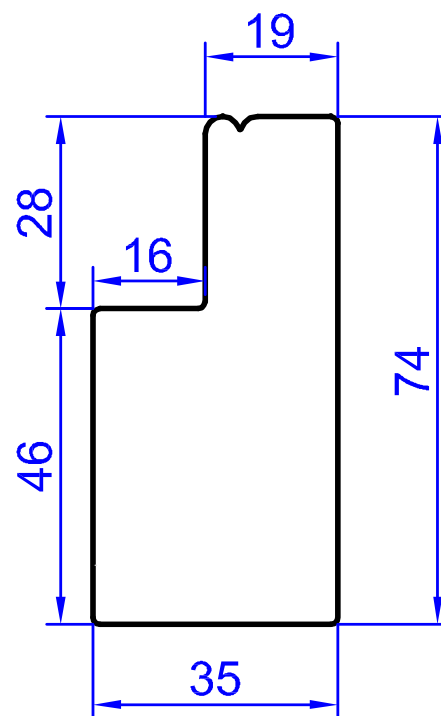
BEADED 47MM (4025)



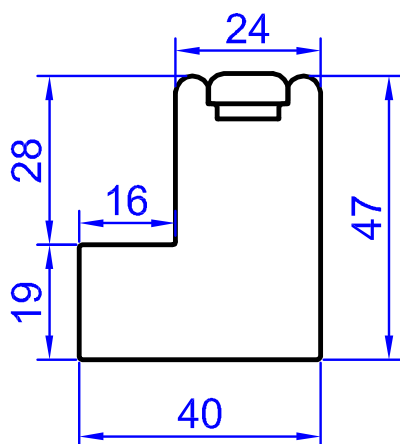
BEADED 67MM (4036)



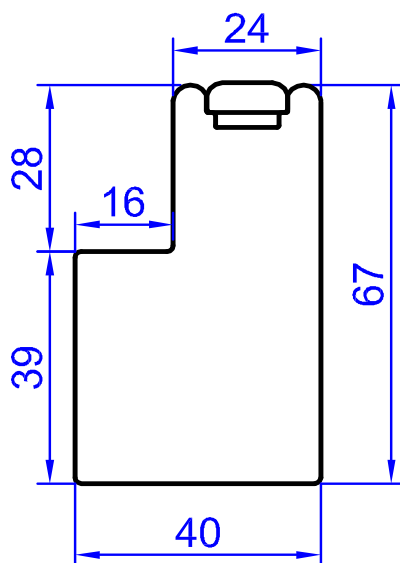
BEADED 74MM (4037)



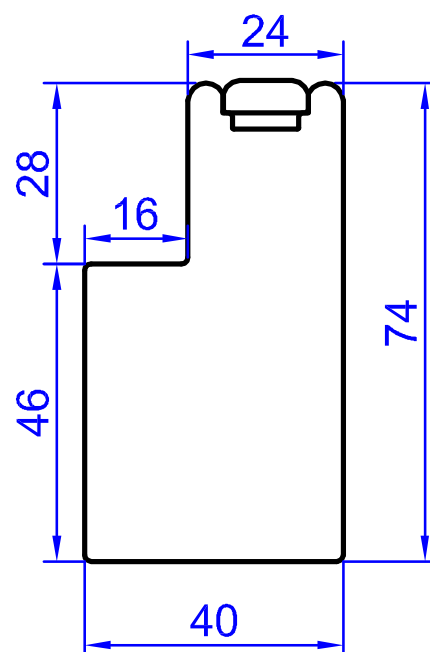
INSERT 47MM (4029)



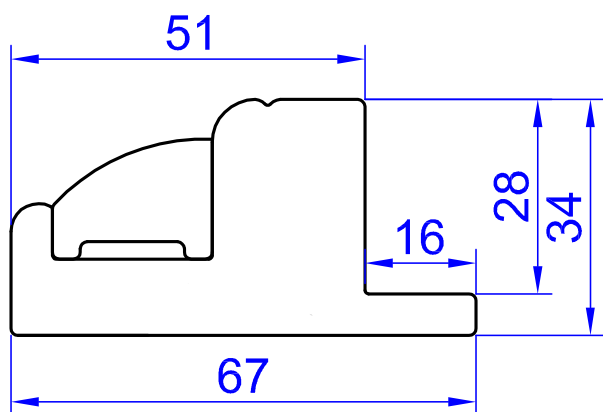
INSERT 67MM (4024)



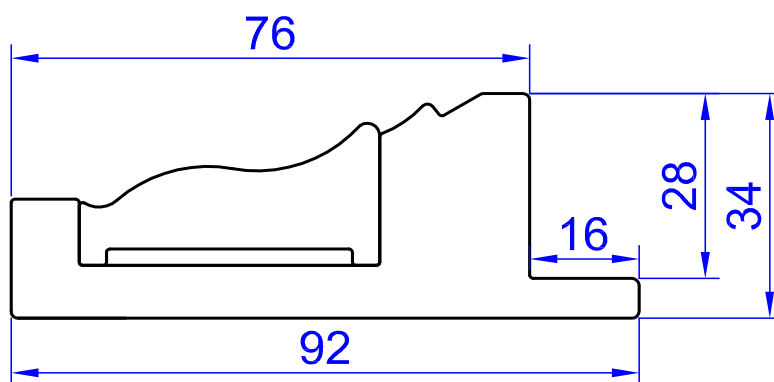
INSERT 74MM (4035)



FACE FIT DECO MODERN (4002)



FACE FIT DECO TRADITIONAL (4003)



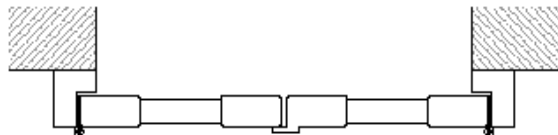
Please note: The Flat L 47mm 4041 is available in Paulownia timber. All other L and Deco frames are in Poplar timber. There may be minor sheen and colour variations between the Poplar frames and Paulownia panels.

PANEL CONFIGURATION EXAMPLES

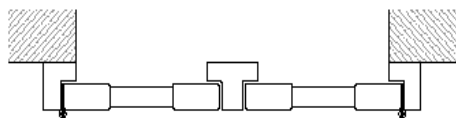
1 panel Configuration code: L or R



2 panel, Configuration code: L-DR or LD-R



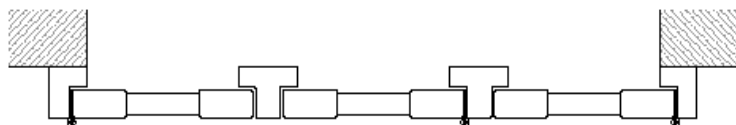
2 panel with T post, Configuration code: LTR



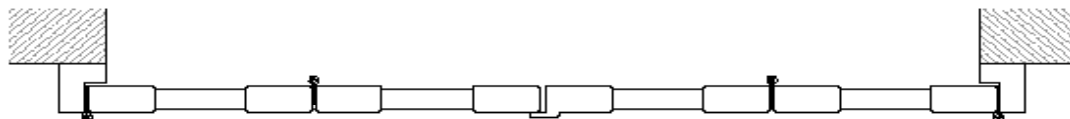
3 panel, Configuration code: L-DRR or LLD-R



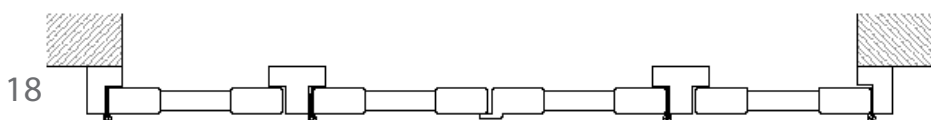
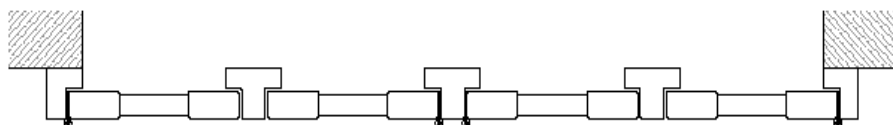
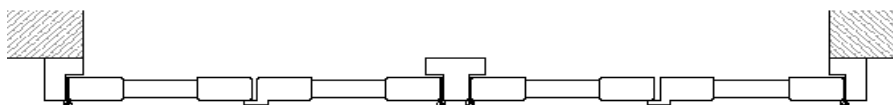
3 panel with T post, Configuration code: LTRTR or LTLTR



4 panel, Configuration code: LL-DRR or LLD-RR

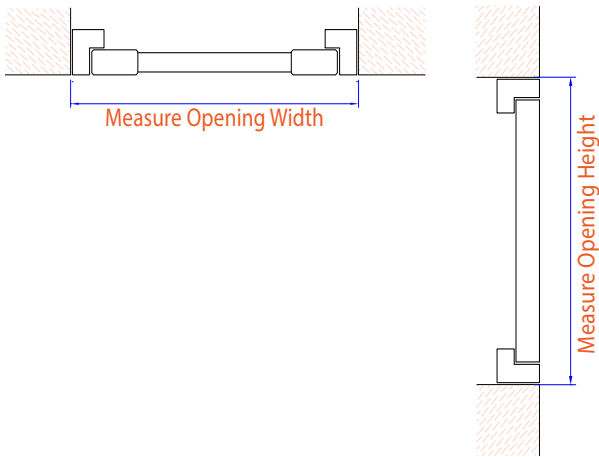


4 panel with T post, Configuration code: L-DRTL-DR or LRTLTR or LTL-DRTR

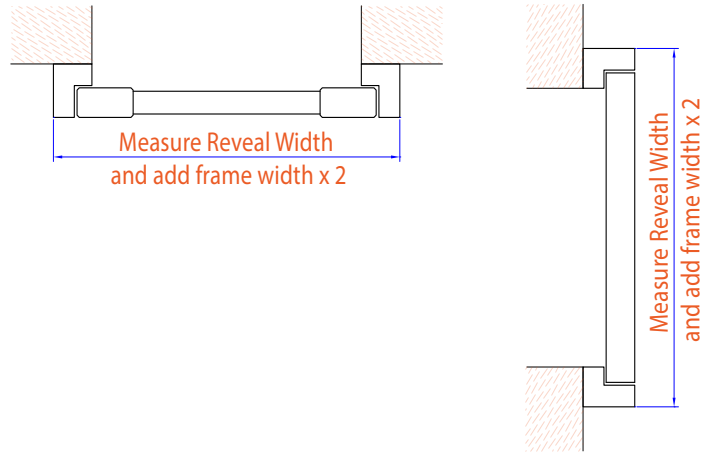


HOW TO MEASURE

Hinged in L Frame: Reveal Mount



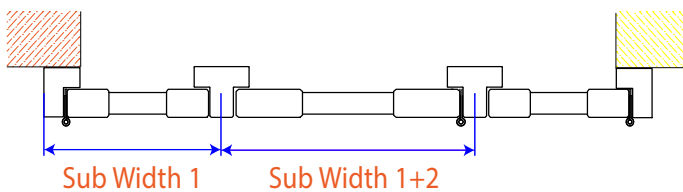
Hinged in L Frame: Face Mount



If you would like T-Posts, you have 2 options:

1. EVEN PANEL SPACING: Enter the T-Posts in your panel configuration and we will do the rest.
2. UNEVEN PANEL SPACING: Click 'yes' on uneven panel widths and enter your sub-widths.

T Posts w/ Uneven Panel Widths



Uneven Panel Widths Yes No

Sub Widths

Enter Width 1

+

Enter Width 2

-

HOW TO ORDER

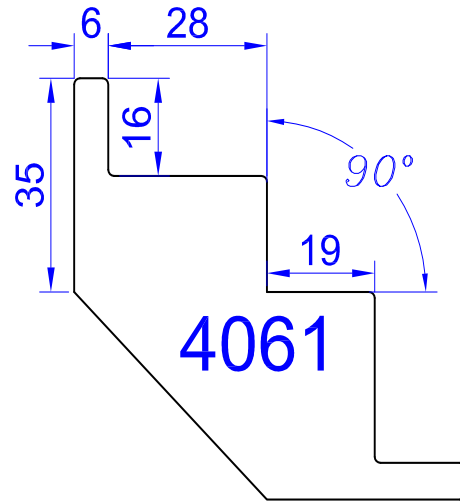
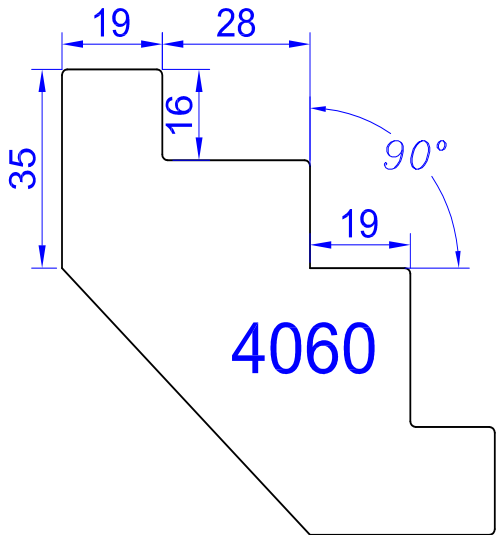
No. 1: + SQM: 0.0000

Product*: HP Painted Location: - select here - Width*: Enter Width Height*: Enter Height Mid-Rail Height: <input type="text"/> +	Color*: - select here - Blade*: - select here - Tilt Rod*: - select here - Stiles*: - select here - Installation Method*: Installation Type*: Mount*: Panel Configuration*:	Split Rotation Height (If Required): <input type="text"/> French Door Cut-out: ✎ Frame Options*: - select here - 3 Sided 4 Sided Frame Sill Plate On Bottom Sill Plate On Left Sill Plate On Right Sill Plate On Top	Special Instructions: ✎ Extras: ✎ + Notes: <input type="text"/> Needs Drawing: <input type="checkbox"/> Upload Drawing/Image: <input type="button" value="Choose File"/> No file chosen
---	--	---	--

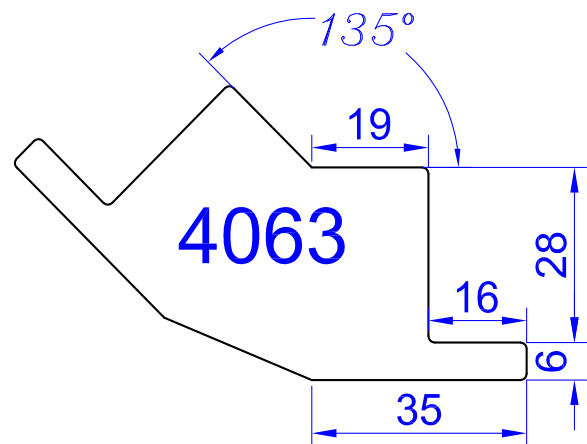
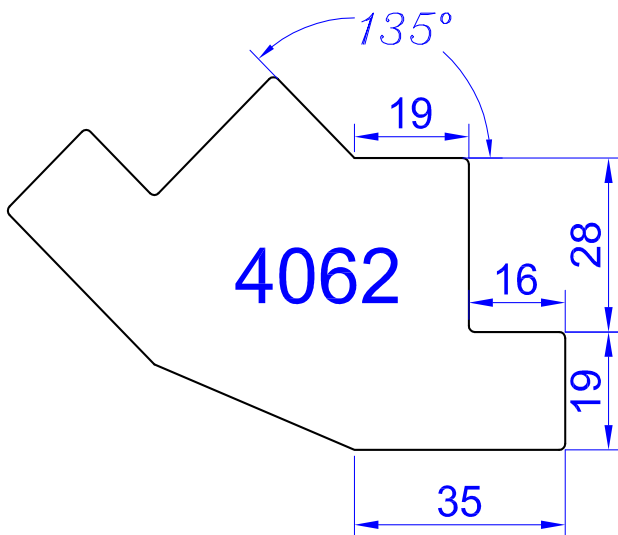
Uneven Panel Widths Yes No

HINGED SHUTTERS IN BAY OR CORNER WINDOW: AVAILABLE IN HINGED L OR Z FRAMES

CORNER POSTS



BAY POSTS



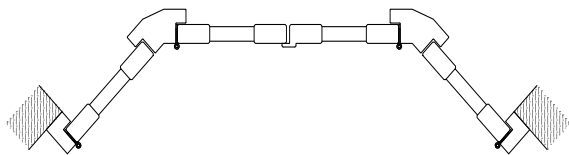
Follow instructions for Hinged in L Frame or Hinged in Z Frame

Make sure Corner Angle is 90 degrees

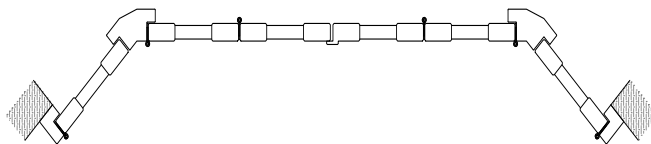
Make sure Bay Angle is 135 degrees (If not 135 degrees, custom bay post will be needed)

PANEL CONFIGURATION EXAMPLES

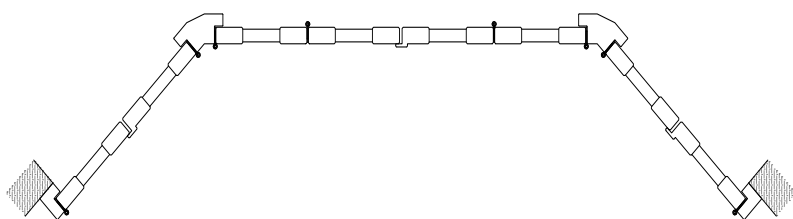
4 panel, Configuration code: LBL-DRBR



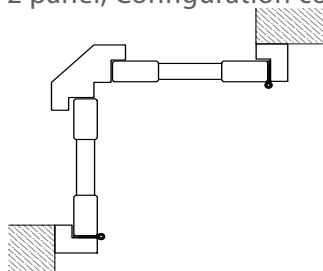
6 panel, Configuration code: LBLL-DRRBR



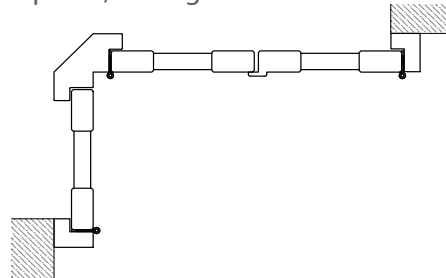
8 panel, Configuration code: L-DRBLL-DRRBL-DR



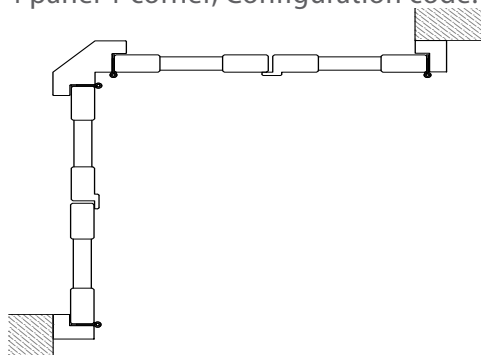
2 panel, Configuration code: LCR



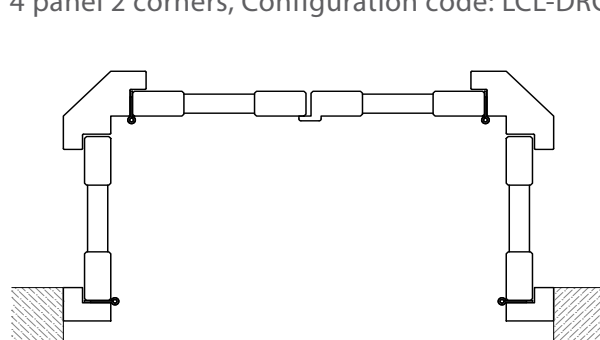
3 panel, Configuration code: LCL-DR or LD-RCR



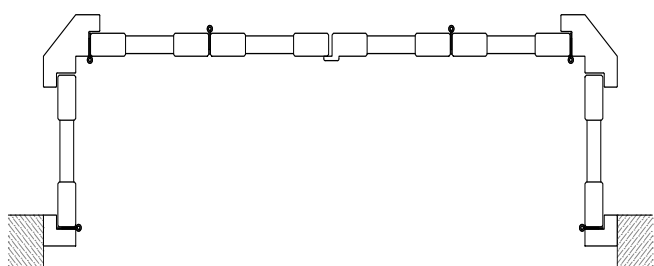
4 panel 1 corner, Configuration code: LD-RCL-DR



4 panel 2 corners, Configuration code: LCL-DRCR

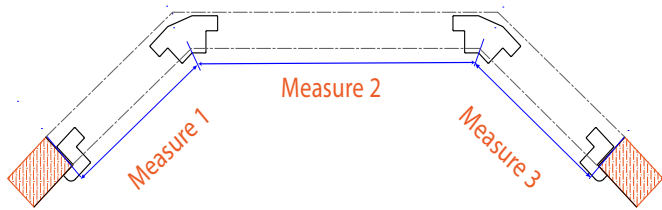


6 panel 2 corner, Configuration code: LD-RCL-DRCL-DR or LCLL-DRRCR

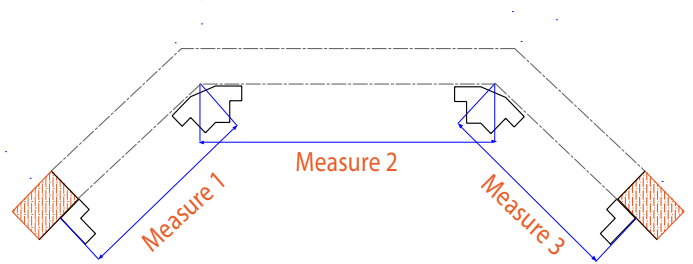


Take your measurements.

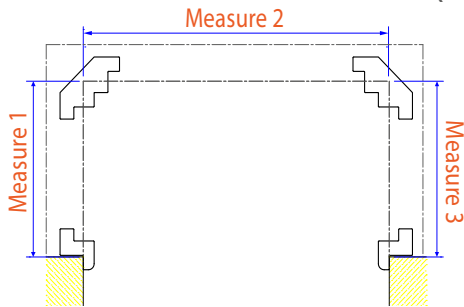
Bay Window: Inside Mount (L or Z)



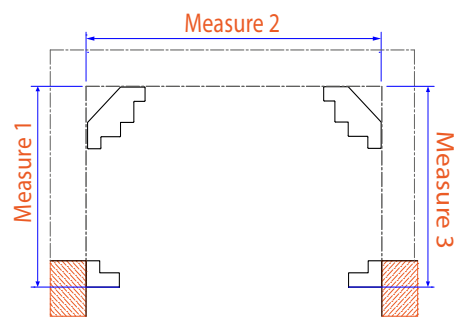
Bay Window: Outside Mount (L Only)



Corner Window: Inside Mount (L or Z)

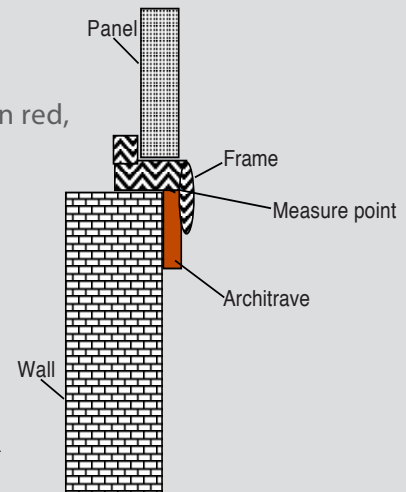
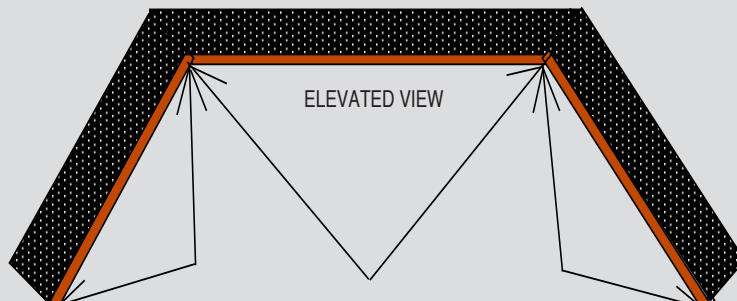


Corner Window: Outside Mount (L Only)



QUIRKS: USING A Z FRAME

In both Bay and Corner windows where there is an architrave as highlighted below in red, the measurements must be taken from the inside outer edge of the opening.



IMPORTANT NOTE: When placing your order online always work from left to right of the opening.
 Sub-Width 1 = Measure 1. Sub-Width 2 = Measure 1 + Measure 2
 Measure 3 is the total width i.e Measure 1 + Measure 2 + Measure 3

No. 1: SQM: 0.0000

Product*: HP Painted	Color*: - select here -	Split Rotation Height (If Required)	Special Instructions
Location: - select here -	Blade*: - select here -	French Door Cut-out	
Width*: Measure 1+2+3	Tilt Rod*: - select here -	Installation Method*: - select here -	Notes
Height*: Enter Height	Stiles*: - select here -		Needs Drawing <input type="checkbox"/>
Mid-Rail Height	Installation Type*: - select here -	Mount*: - select here -	Upload Drawing/Image <input type="button" value="Choose File"/> No file chosen
Uneven Panel Widths: Yes <input type="radio"/> No <input type="radio"/>	Panel Configuration*: - select here -		Use C/B to denote corner posts in your panel configuration
Sub Widths: Measure 1			
Measure 1+2			

INSTALLATION METHOD: HINGED NO FRAME USED WHEN FRAMES ARE NOT WANTED.



BEFORE YOU ORDER

MINIMUM REVEAL DEPTHS*

*Be sure to always measure from the most protruding object in the reveal.

	64mm Blade		89mm Blade		114mm Blade	
	Clearview	Center	Clearview	Center	Clearview	Centre
Hinged No Frame	54	47	67	60	79	72

LIMITATIONS

Finish	Installation Method	Width			Height			Panel Breaks			
		Min	Max	Max Non Warranty	Min	Max	Max Non Warranty	Mid-Rail(s) Required	Approximate Split Rotation by Blade Size		
									64	89	114
Painted	Hinged No Frame	250	1050	1200	400	3000	N/A	1800, 2700	1100	1300	1200
	Double Hinged	250	600	700	400	3000	N/A	1800, 2700	1100	1300	1200
Note: The factory will automatically split the tilt if ordered sizes exceed factory standards						Max No. of Blades Per Tilt Rod			22	15	11

DEDUCTIONS

Panel and Reveal	Between Meeting Panels	Between Meeting Panels with D Mould	Hinge Deductions	Overall Panel Deduction for Non-Mortise Hinged	Overall Panel Deduction for L Hinge	Overall Panel Deduction for Pivot Hinge
2.5	2.5	5	2.5	5	6	5

HOW TO MEASURE AND ORDER HINGED NO FRAME

NON MORTISE HINGED
REVEAL MOUNT ONLY.

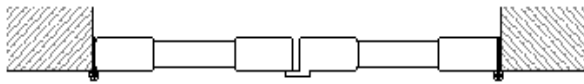


PANEL CONFIGURATION EXAMPLES

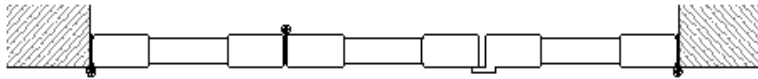
1 panel Configuration code: L or R



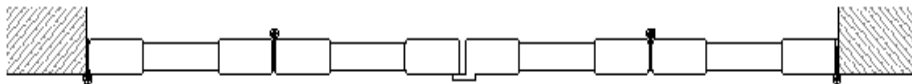
2 panel, Configuration code: L-DR or LD-R



3 panel, Configuration code: LL-DR or LD-RR

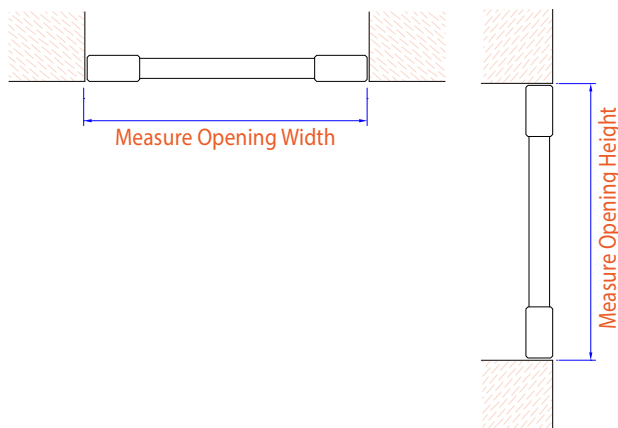


4 panel, Configuration code: LL-DRR or LLD-RR



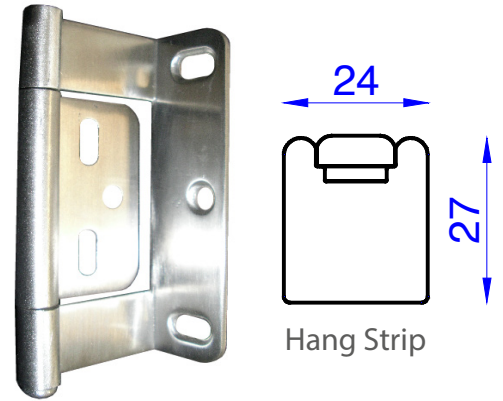
HOW TO MEASURE

Hinged No Frame



HOW TO MEASURE AND ORDER HINGED NO FRAME

L HINGE AND HANG STRIP
REVEAL MOUNT ONLY.

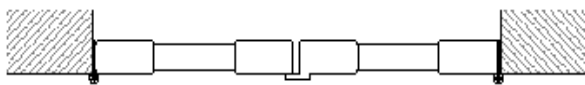


PANEL CONFIGURATION EXAMPLES

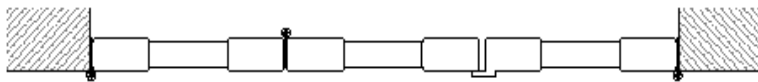
1 panel Configuration code: L or R



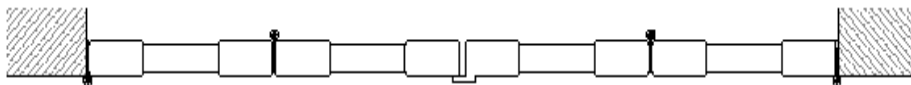
2 panel, Configuration code: L-DR or LD-R



3 panel, Configuration code: LL-DR or LD-RR

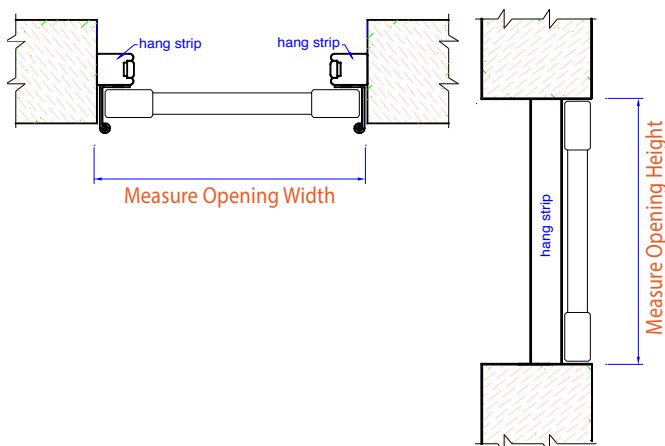


4 panel, Configuration code: LL-DRR or LLD-RR



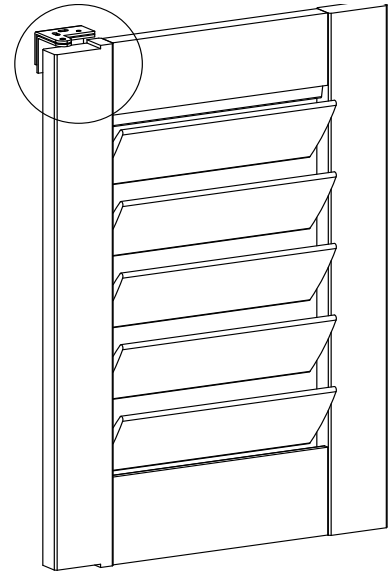
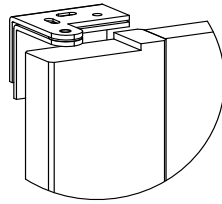
HOW TO MEASURE

Hinged No Frame: L Hinge and Hang Strip



HOW TO MEASURE AND ORDER HINGED NO FRAME

PIVOT HINGE REVEAL AND FACE MOUNT



PANEL CONFIGURATION EXAMPLES

Pivot Hinge	Mount	Rebate (mm)	Rebate Width (mm)
Recessed Pivot Hinge	Inside	3.5	55

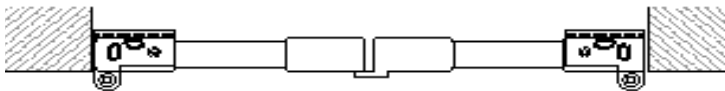
Note: Non-recessed pivot hinges will have no rebate.

The pivot hinge will be moved across 10mm as standard if the panel is in the centre of the opening and will butt up against another panel with a D mould.

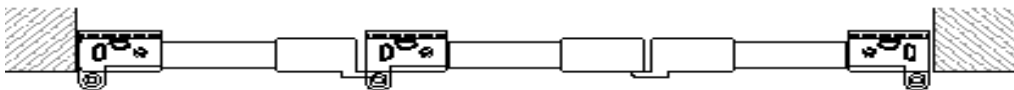
1 panel Configuration code: L or R



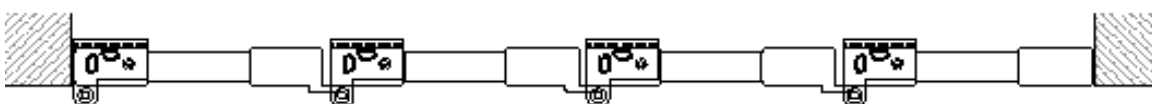
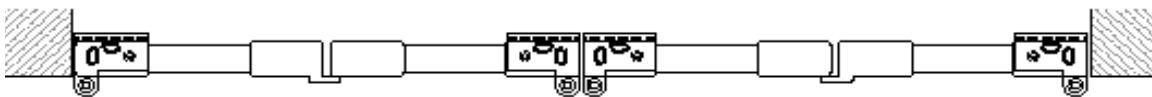
2 panel, Configuration code: L-DR or LD-R

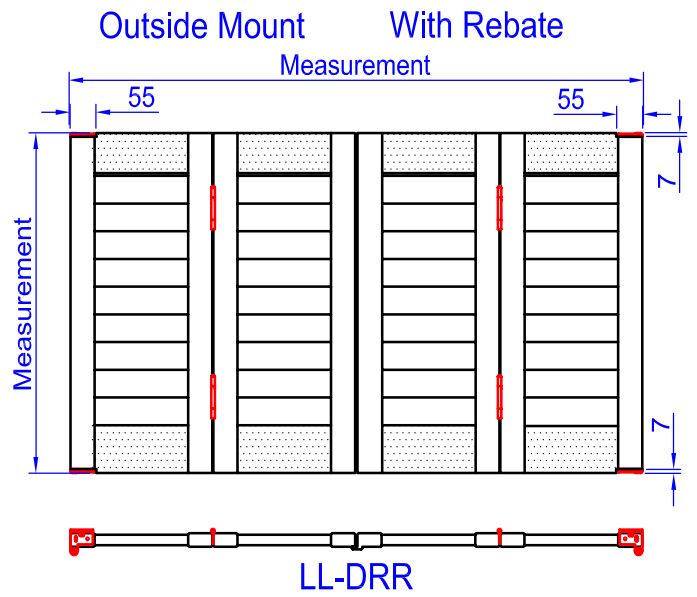
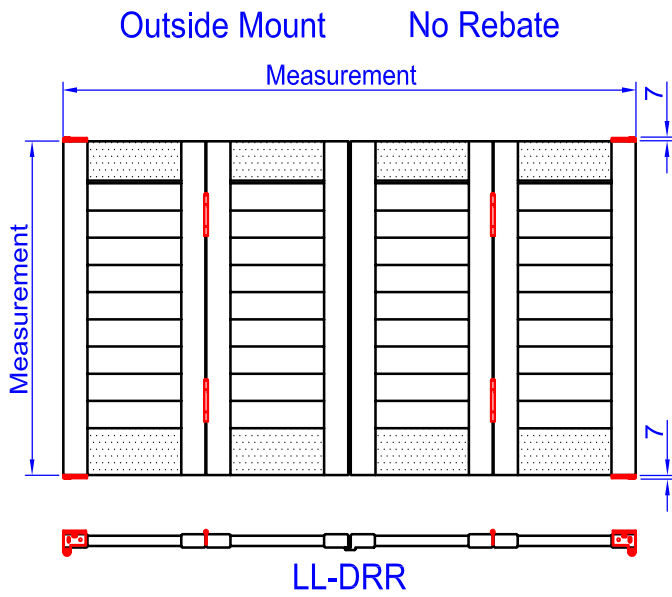
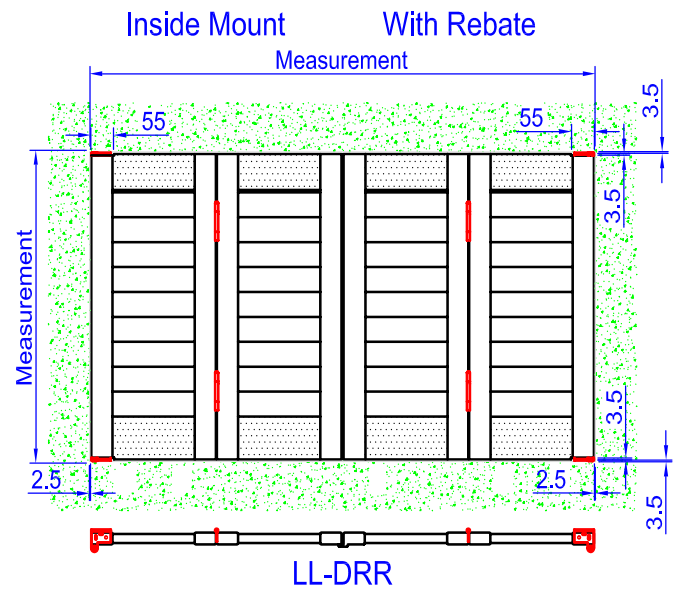
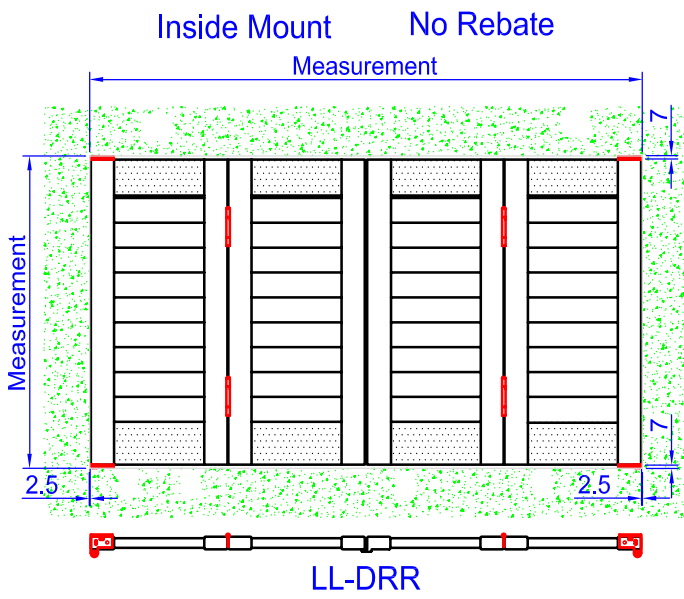


3 panel, Configuration code: LD-L-DR or LD-R-DR or LD-LD-L or R-DR-DR

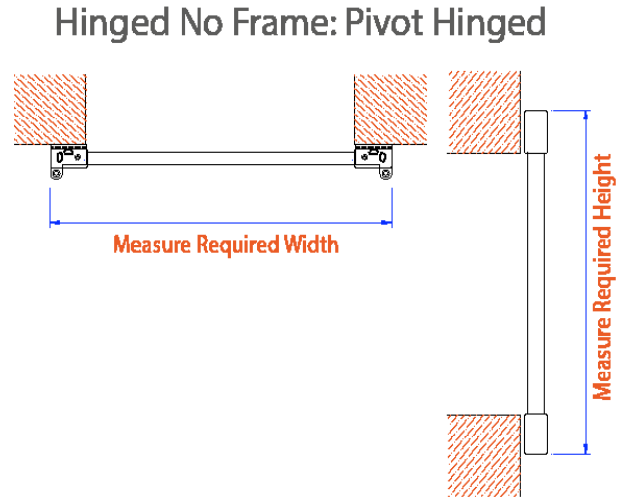
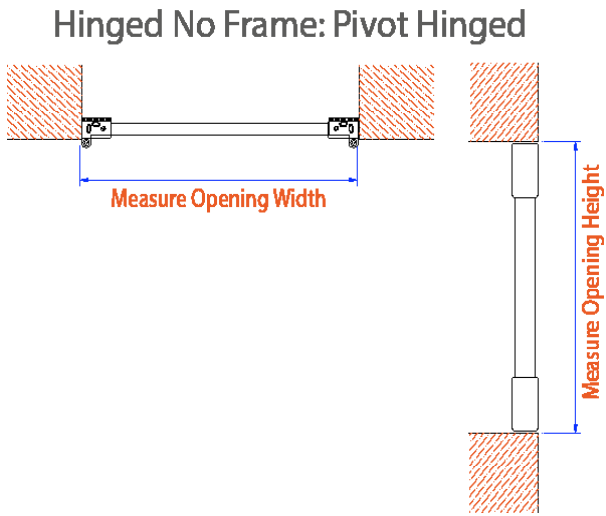


4 panel, Configuration code: LD-R-L-DR or LD-LD-LD-L or R-DR-DR-DR





HOW TO MEASURE



HOW TO ORDER HINGED NO FRAME: ALL OPTIONS.

No. 1: SQM: 0.0000

Product* : <input type="text" value="HP Painted"/>	Color* : <input type="text" value="- select here -"/>	Split Rotation Height (If Required) <input type="text"/> French Door Cut-out	Special Instructions
Location : <input type="text" value="- select here -"/>	Blade* : <input type="text" value="- select here -"/>		Extras
Width* : <input type="text" value="Enter Width"/>	Tilt Rod* : <input type="text" value="- select here -"/>	Needs Drawing <input type="checkbox"/>	Notes <input type="text"/>
Height* : <input type="text" value="Enter Height"/>	Stiles* : <input type="text" value="- select here -"/>		Upload Drawing/Image <input type="button" value="Choose File"/> No file chosen
Mid-Rail Height <input type="text"/>	Installation Method* : <input type="text" value="Hinged No Frame"/>		
Uneven Panel Widths <input type="radio"/> Yes <input checked="" type="radio"/> No	Installation Type* : <input type="text" value="- select here -"/> <ul style="list-style-type: none"> Hang Strip and L Hinge Non-Mortise Hinge Non-Recessed Pivot Hinge Recessed Pivot Hinge - select here - 		
	Mount* : <input type="text"/>		
	Panel Configuration* : <input type="text" value="- select here -"/>		

INSTALLATION METHOD: FIXED

USED WHEN SHUTTERS ARE REQUIRED TO BE FIXED IN POSITION. REVEAL MOUNT ONLY



BEFORE YOU ORDER

MINIMUM REVEAL DEPTHS*

*Be sure to always measure from the most protruding object in the reveal.

	64mm Blade		89mm Blade		114mm Blade	
	Clearview	Center	Clearview	Center	Clearview	Centre
Fixed	54	47	67	60	79	72

LIMITATIONS

Finish	Installation Method	Width			Height			Panel Breaks			
		Min	Max	Max Non Warranty	Min	Max	Max Non Warranty	Mid-Rail(s) Required	Approximate Split Rotation by Blade Size		
									64	89	114
Painted	Fixed	250	1050	1200	400	3000	N/A	1800, 2700	1100	1300	1200
Note: The factory will automatically split the tilt if ordered sizes exceed factory standards						Max No. of Blades Per Tilt Rod			22	15	11

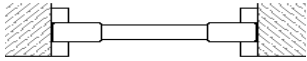
DEDUCTIONS

Fixed Panel and Reveal	Between Meeting Panels	Overall Panel Deduction
2.5	2.5	5

HOW TO MEASURE AND ORDER FIXED WITH BEADING USED WHEN ONLY BLADES NEED TO BE OPERATIONAL

PANEL CONFIGURATION EXAMPLES

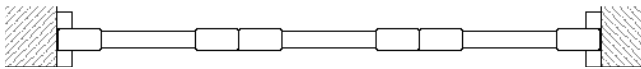
1 panel Configuration code: F



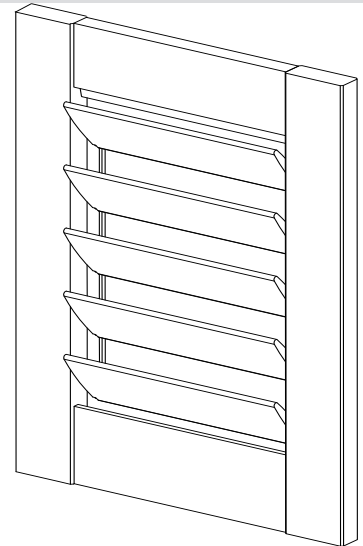
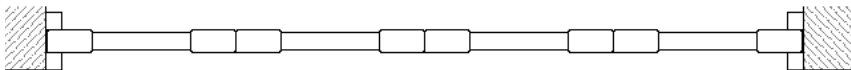
2 panel, Configuration code: FF



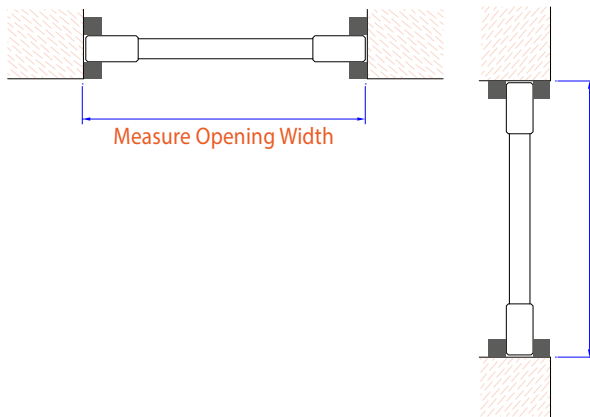
3 panel, Configuration code: FFF



4 panel, Configuration code: FFFF



HOW TO MEASURE



HOW TO ORDER

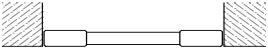
No. 1: SQM: 0.0000

Product*: HP Painted	Color*: - select here -	Split Rotation Height (If Required)	Special Instructions
Location: - select here -	Blade*: - select here -	French Door Cut-out	
Width*: Enter Width	Tilt Rod*: - select here -	Installation Method*: Fixed Panel	Notes
Height*: Enter Height	Stiles*: - select here -		Needs Drawing <input type="checkbox"/>
Mid-Rail Height	Installation Type*: 19x19 Beading	Panel Configuration*: - select here -	Upload Drawing/Image <input type="button" value="Choose File"/> No file chosen
Uneven Panel Widths: <input type="radio"/> Yes <input checked="" type="radio"/> No	Mount*: Bullet Magnets Panel Only		

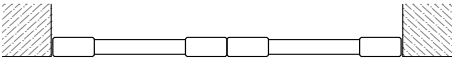
HOW TO MEASURE AND ORDER FIXED WITH BULLET MAGNETS USED WHEN SHUTTERS ARE FIXED IN POSITION, BUT THE PANEL IS STILL ABLE TO BE REMOVED.

PANEL CONFIGURATION EXAMPLES

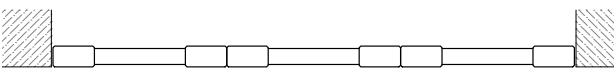
1 panel Configuration code: F



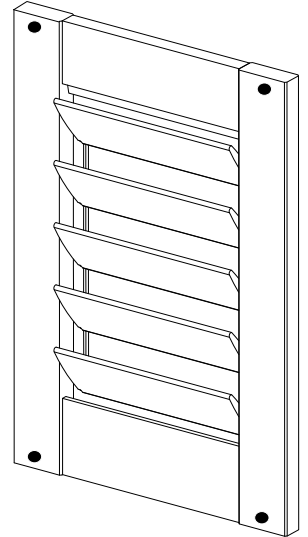
2 panel, Configuration code: FF



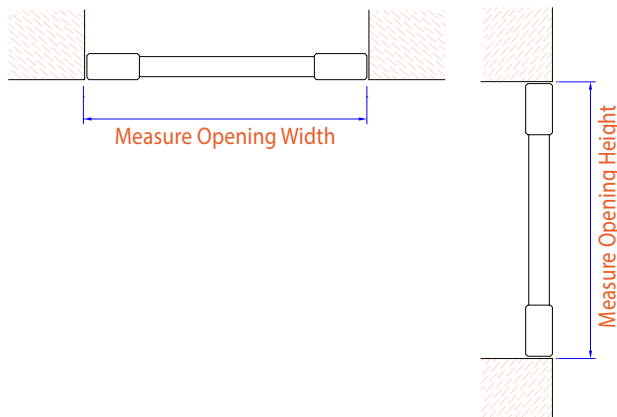
3 panel, Configuration code: FFF



4 panel, Configuration code: FFFF



HOW TO MEASURE



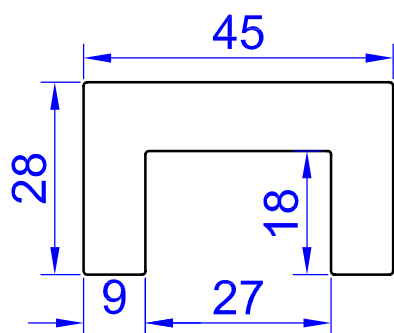
HOW TO ORDER

No. 1: SQM: 0.0000

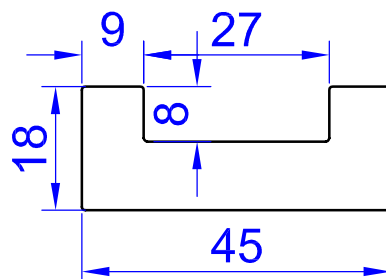
Product*: HP Painted	Color*: - select here -	Split Rotation Height (If Required)	Special Instructions
Location: - select here -	Blade*: - select here -		
Width*: Enter Width	Tilt Rod*: - select here -	French Door Cut-out	Notes
Height*: Enter Height	Stiles*: - select here -	Installation Method*: Fixed Panel	Needs Drawing <input type="checkbox"/>
Mid-Rail Height	Installation Type*: 19x19 Beading		Upload Drawing/Image <input type="button" value="Choose File"/> No file chosen
Uneven Panel Widths <input type="radio"/> Yes <input checked="" type="radio"/> No	Mount*: Bullet Magnets	Panel Configuration*: - select here -	

HOW TO MEASURE AND ORDER FIXED WITH U CHANNEL

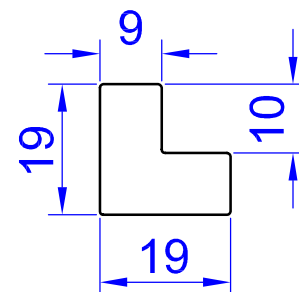
USED WHEN SHUTTERS ARE FIXED IN POSITION, THE PANEL IS NOT ABLE TO BE REMOVED.



TOP CHANNEL (4050)



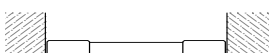
BOTTOM CHANNEL (4051)



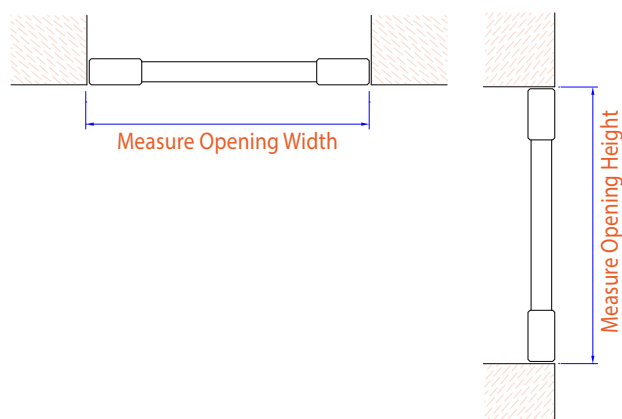
SIDE CHANNEL (4052)

PANEL CONFIGURATION EXAMPLES

1 panel Configuration code: F



HOW TO MEASURE



INSTALLATION METHOD: MULTI-FOLD

USED TO COMPLETELY FOLD SHUTTERS AWAY FROM OPENING WHEN AN UNOBSTRUCTED VIEW IS REQUIRED. REVEAL AND FACE MOUNT APPLICATIONS. MAX 4 PANELS EACH WAY IN WARRANTY. ADDITIONAL PANELS WILL NOT BE WARRANTIED.



BEFORE YOU ORDER

MINIMUM REVEAL DEPTHS*

*Be sure to always measure from the most protruding object in the reveal.

	64mm Blade		89mm Blade		114mm Blade	
	Clearview	Center	Clearview	Center	Clearview	Centre
Multi-Fold	100	100	100	100	100	100

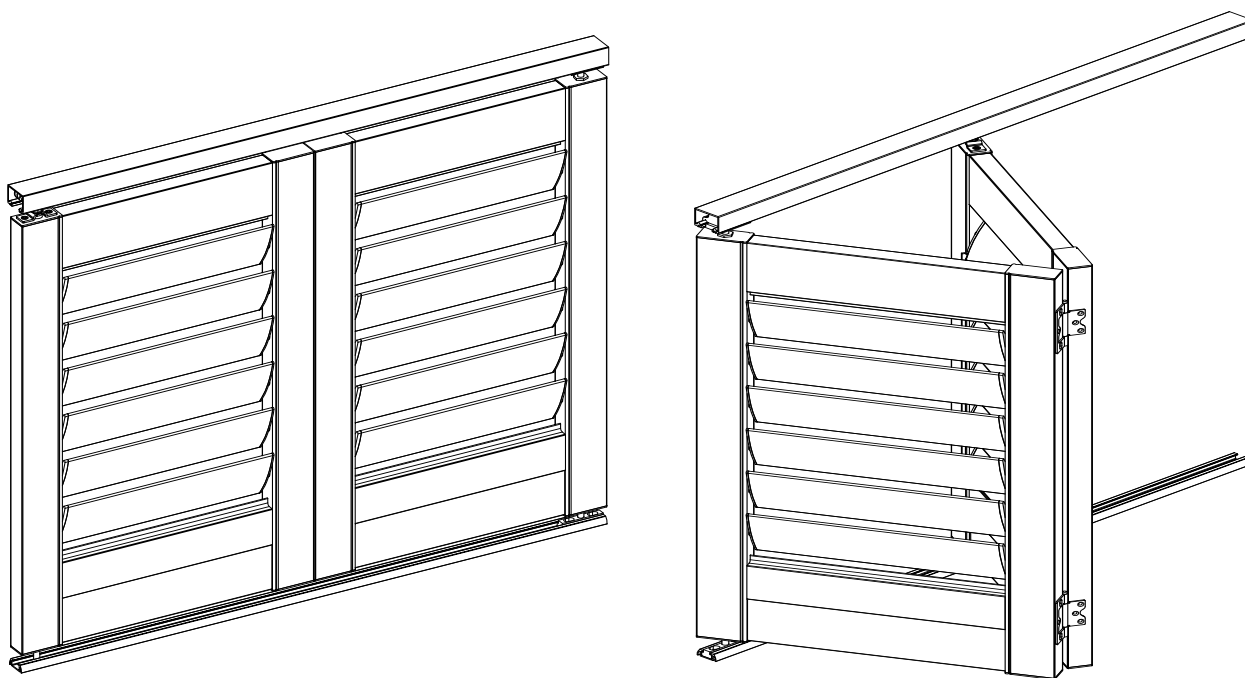
LIMITATIONS

Finish	Installation Method	Width			Height			Panel Breaks			
		Min	Max	Max Non Warranty	Min	Max	Max Non Warranty	Mid-Rail(s) Required	Approximate Split Rotation by Blade Size		
									64	89	114
Painted	Multi-Fold	250	600	700	400	3000	N/A	1800, 2700	1100	1300	1200
Note: The factory will automatically split the tilt if ordered sizes exceed factory standards							Max No. of Blades Per Tilt Rod		22	15	11

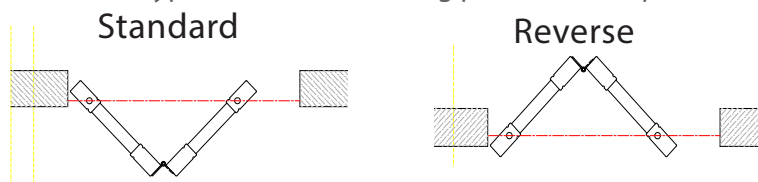
DEDUCTIONS

Top Track	Bottom Track	Bottom Track Recessed	Bottom Multi-Fold Pivot Height	Bottom Multi-Fold Pivot Width	Bottom Multi-Fold No Track
52	20	28	20	5	20

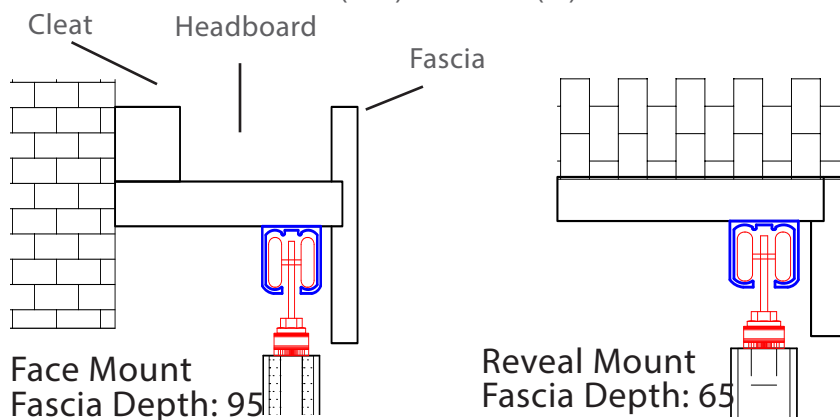
HOW TO MEASURE AND ORDER MULTI-FOLD



Installation Type: Choose the folding pattern of the panels, either Standard Fold or Reverse Fold.



Mount: Select either Face (Out) or Reveal (In)



Warranty Note: The maximum number of panels folding in one direction is four.

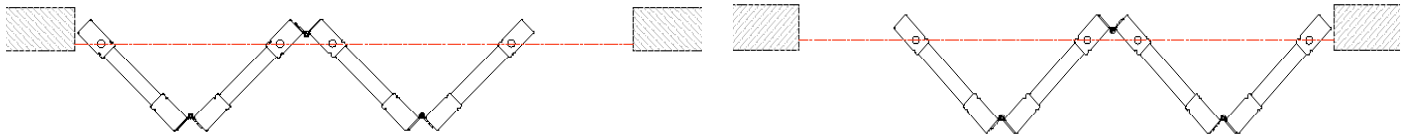
Panel configurations are to be an even numbers and move in pairs. This ensures that each panel is able to be secured in the opening.

PANEL CONFIGURATION EXAMPLES

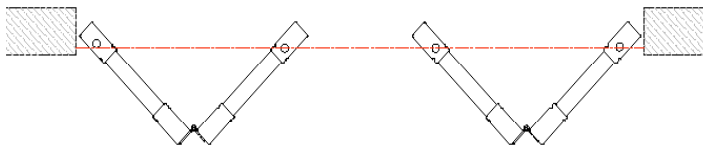
2 panel, Configuration code: LL or RR



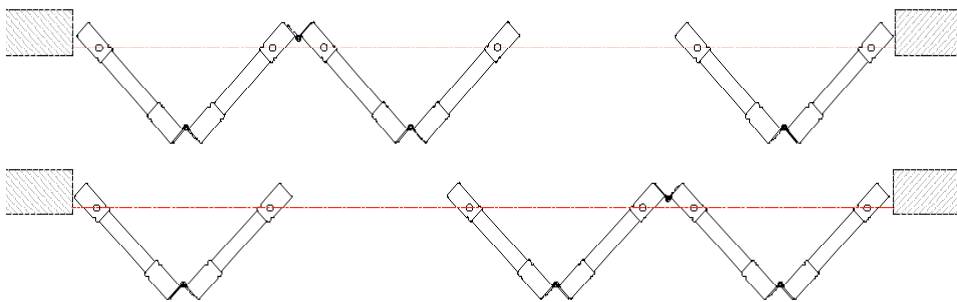
4 panels one way, Configuration code: LLLL or RRRR



4 panels centre open, Configuration code: LLRR



6 panels centre open, Configuration code: LLRRRR or LLLLRR



Choose the Pelmet/Track Type:

A: Pelmet with Tracks

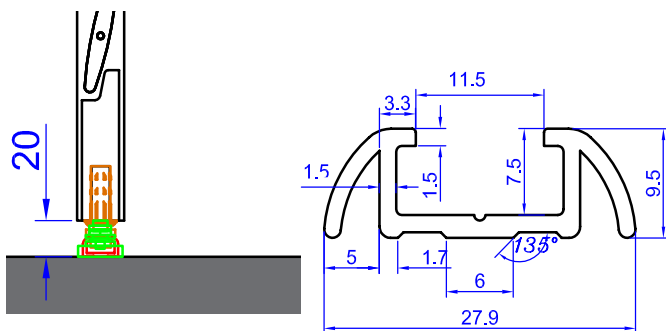
B: Tracks Only

Choose Bottom Track Type

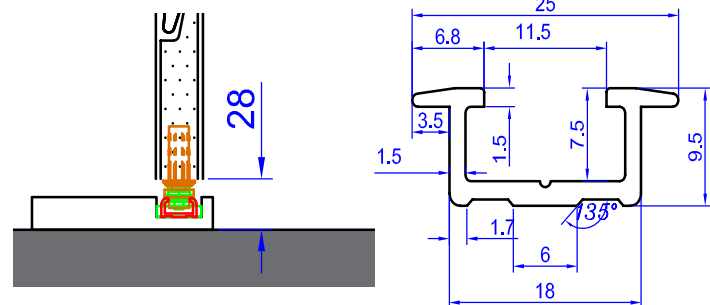
A. Surface Mount Track - Bottom track with no bottom board

B. Recessed Track - Track recessed into bottom board

C. No Bottom Track - The Window Outfitters strongly advises against this option and it will be a non-warranty item.



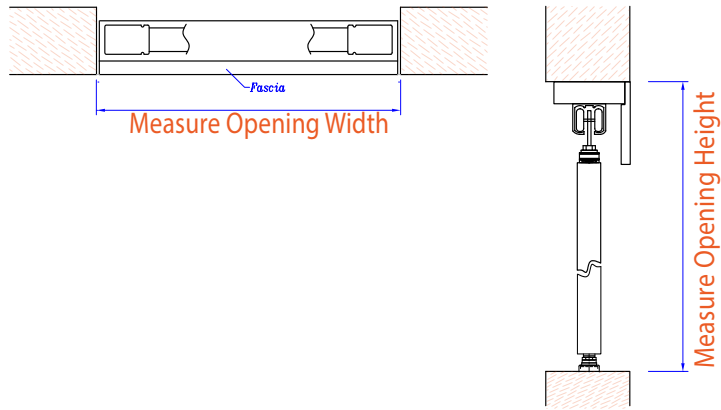
Surface Mount Track



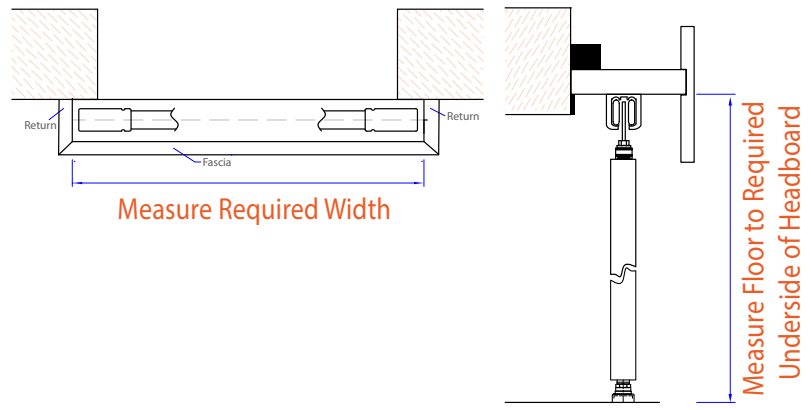
Recessed Track

HOW TO MEASURE

Multi-Fold: Reveal Mount



Multi-Fold: Face Mount

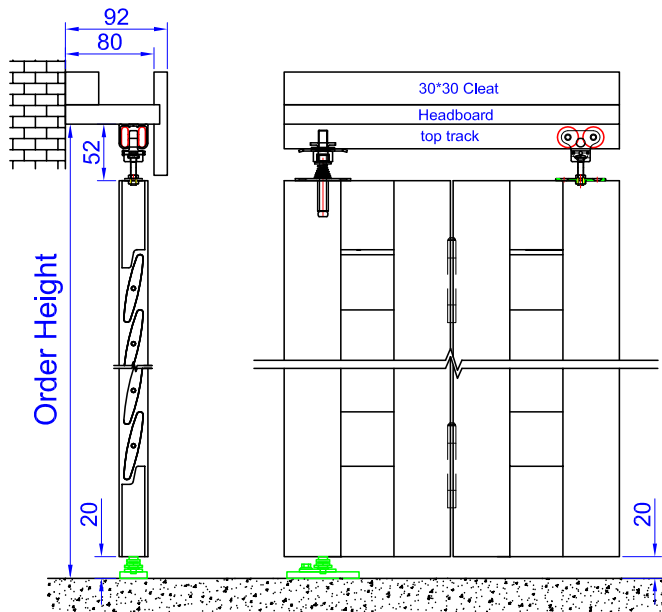


Component	Measurements
Headboard	80 x 18
Head Mounting Cleat	30 x 30
Outside Mount Fascia & Returns	95 x 12
Inside Mount Fascia & Returns	65 x 12
Sideboards	80 x 18
Side Mounting Cleat	19 x 19
Bottom Board	100 x 18

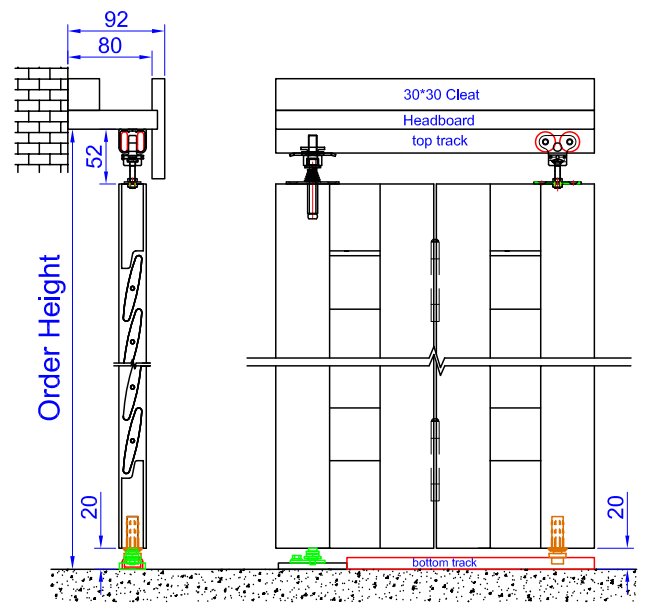
HOW TO ORDER

Product*: HP Painted	Color*: - select here -	Split Rotation Height: <input type="text"/>	Special Instructions:
Location: <input type="text"/>	Blade*: - select here -	Pelmet/Tracks*: ✓ - select here - Pelmet with Tracks Track(s) Only	Extras:
Width*: <input type="text"/> Enter Width	Tilt Rod*: - select here -	Bottom Track*: ✓ - select here - No Recessed Bottomboard Yes	Notes: <div style="border: 1px solid #ccc; height: 40px;"></div>
Height*: <input type="text"/> Enter Height	Stiles*: - select here -		Needs Drawing: <input checked="" type="radio"/> No <input type="radio"/> Yes
Mid-Rail Height: <input type="text"/>	Installation Method*: Multi-Fold		Upload Drawing/Image: <input type="button" value="Choose File"/> No file chosen
Uneven Panel Widths: <input type="radio"/> No <input type="radio"/> Yes	Installation Type*: ✓ - select here - Reverse Fold Standard Fold - select here -		Using Made2Fit Service:
	Mount*: - select here -		
	Panel Configuration*: - select here -		

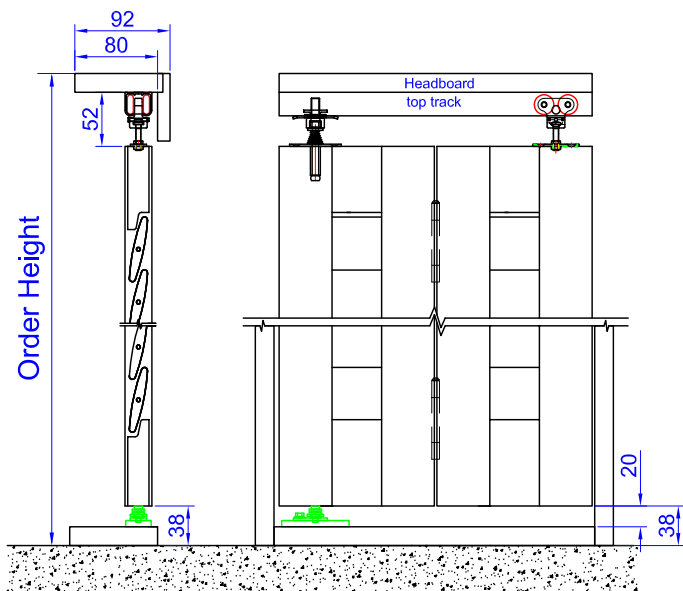
MULTI-FOLD SPECIFICATION DRAWINGS



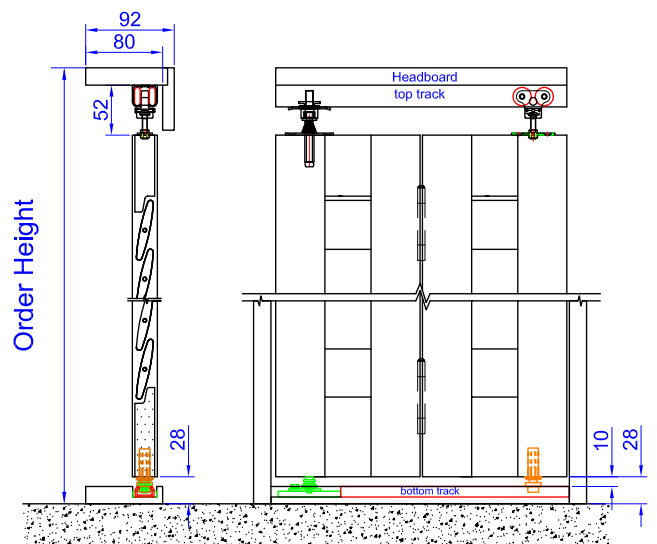
Mount: Face (Out)
Bottom Track: No Track



Mount: Face (Out)
Bottom Track: Surface Mount Track



Mount: Reveal (Inside)
Bottom Track: No Track



Mount: Reveal (Inside)
Bottom Track: Recessed Track

INSTALLATION METHOD: SLIDING

USED MOST COMMONLY TO COVER SLIDING DOORS. REVEAL AND FACE MOUNT APPLICATIONS.



BEFORE YOU ORDER

MINIMUM REVEAL DEPTHS*

*Be sure to always measure from the most protruding object in the reveal.

	64mm Blade		89mm Blade		114mm Blade	
	Clearview	Center	Clearview	Center	Clearview	Centre
2 Track Slider - Blades Closed	180	180	180	180	220	220
2 Track Slider - Blades Open	180	180	220	220	N/A	N/A

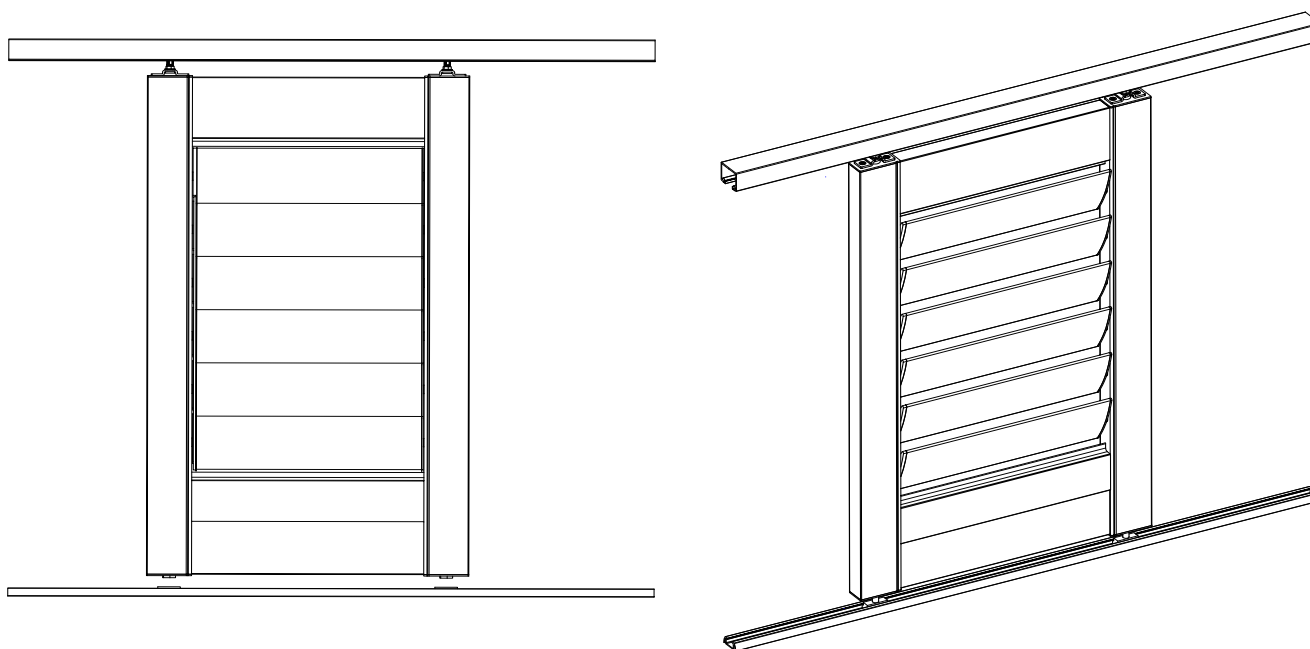
LIMITATIONS

Finish	Installation Method	Width			Height			Panel Breaks			
		Min	Max	Max Non Warranty	Min	Max	Max Non Warranty	Mid-Rail(s) Required	Approximate Split Rotation by Blade Size		
									64	89	114
Painted	Sliding	250	1050	1200	400	3000	N/A	1800, 2700	1100	1300	1200
Note: The factory will automatically split the tilt if ordered sizes exceed factory standards							Max No. of Blades Per Tilt Rod		22	15	11

DEDUCTIONS

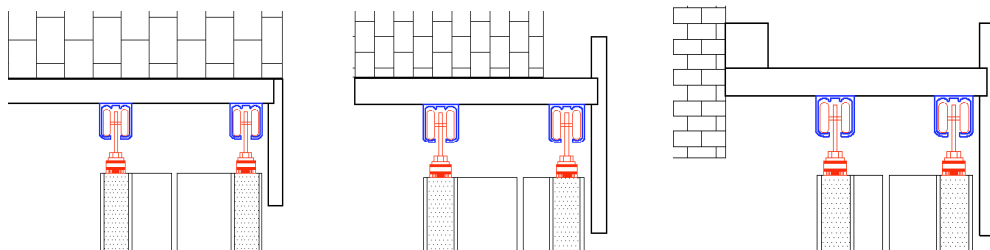
Top Track	Surface Mount Track	Bottom Track Sliding with Floor Guide	Bottom Track Recessed
52	20	10	10

HOW TO MEASURE AND ORDER SLIDING



Choose the number of tracks you require: 1 Track, 2 Track(s), or 3 Track(s).

Choose Reveal, Semi-Reveal or Face Mount.



Reveal

Semi-Reveal

Face

Reveal Mount: Pelmet is fixed into the opening and the headboard is screwed up into the opening. The fascia will sit flush with the front of the opening and will not have returns.

Semi-Reveal Mount: Pelmet is fixed half in the opening and half out of the opening and the headboard is screwed up into the opening. A face mount and returns are supplied. The reveals will stop short of the width of the pelmet and hit the face of the opening.

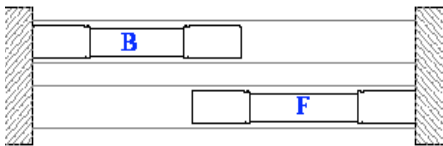
Face Mount: Pelmet is fixed on to the outside of the opening, normally above the architrave. The headboard is attached using a 30x30 cleat. Fascia and full length returns are supplied.

FASCIA DEPTHS:

Reveal	Semi-Reveal	Face
95	140	140

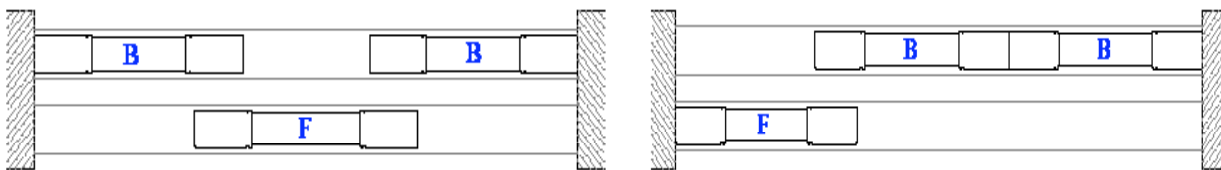
PANEL CONFIGURATION EXAMPLES

2 panels on 2 tracks, Configuration code: BF or FB

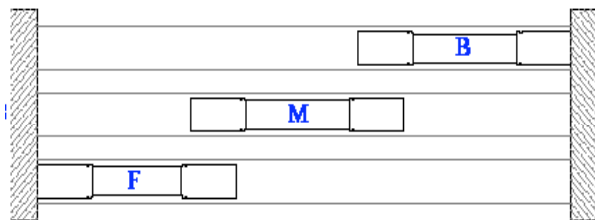


Note: Single panels sliding on 1 Track are denoted with a "S" for one panel, and a "SS" for 2 panels on a single track.

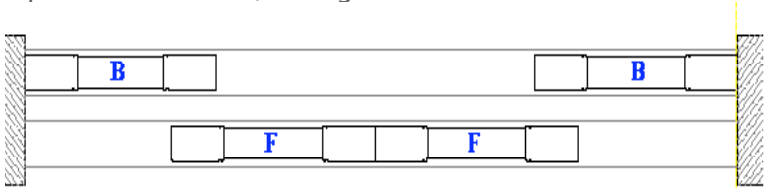
3 panels on 2 tracks, Configuration code: BFB or FBF or FBB or BBF



3 panels on 3 tracks, Configuration code: BMF or FMB
NOTE: 3 tracks only available with blades closed option



4 panels on 2 tracks, Configuration code: BFFB or FBBF



Joined Panels

Panel configurations **BBFF** and **FFBB** will be supplied as joined panels by default. Please specify in notes if you do not wish the panels to be joined.

Joined panels are two panels that share a center stile allowing them to operate as a single panel. NOTE: Panels are joined with a 41mm flat stile only.

Choose from one of the Pelmet/Track options.

A: Pelmet Sliding Blades Closed. Refer to following drawings to ensure there is sufficient clearance in your opening for the pelmet.

B: Pelmet Sliding Blades Open. Refer to following drawings to ensure there is sufficient clearance in your opening for the pelmet.

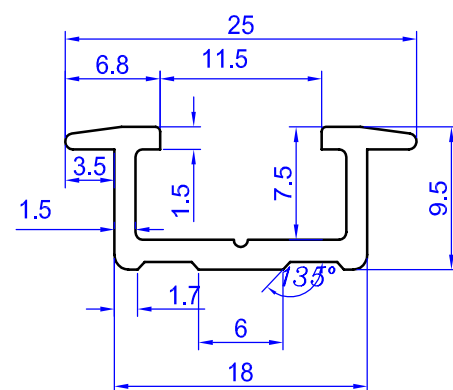
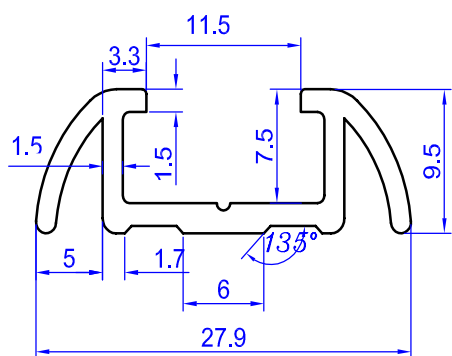
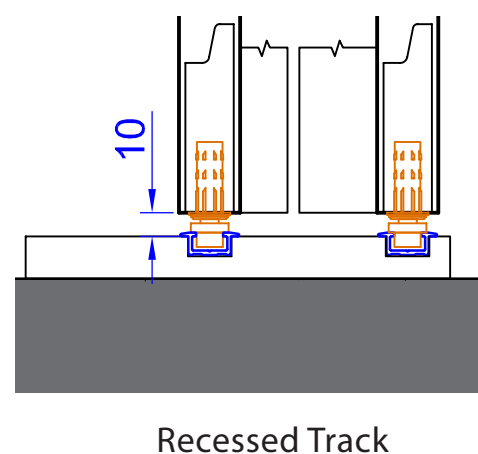
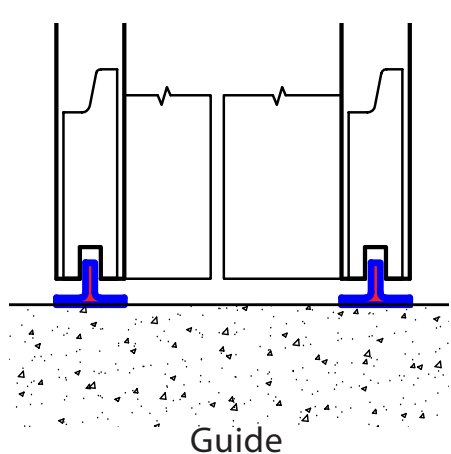
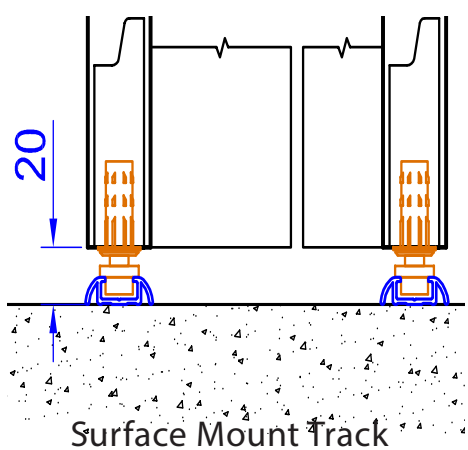
C: Track(s) Only

Bottom Track Types:

A. Surface Mount Track - Bottom track with no bottomboard

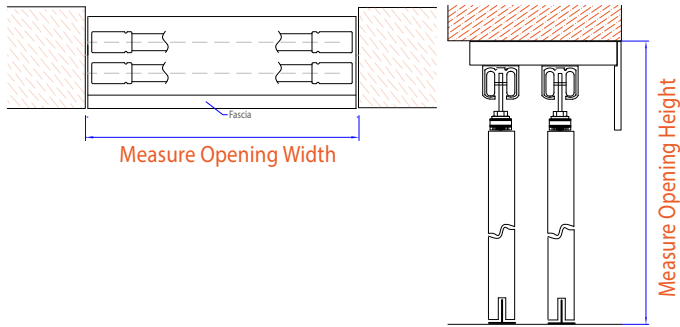
B. Guide - No Track or bottomboard required

C. Recessed Track - Track recessed into bottomboard

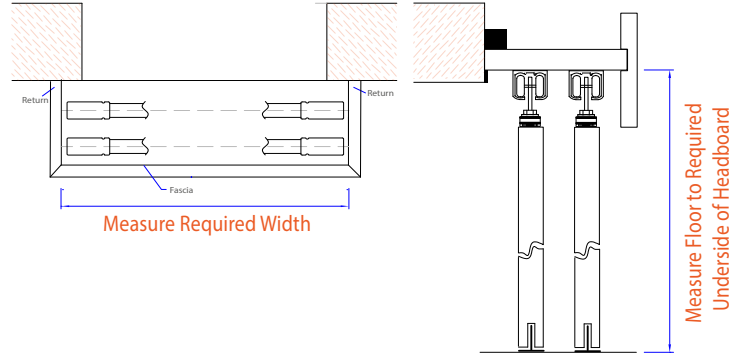


HOW TO MEASURE

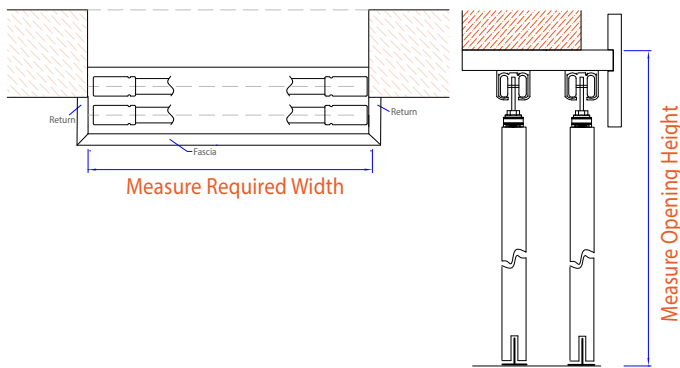
Sliding: Reveal Mount



Sliding: Face Mount



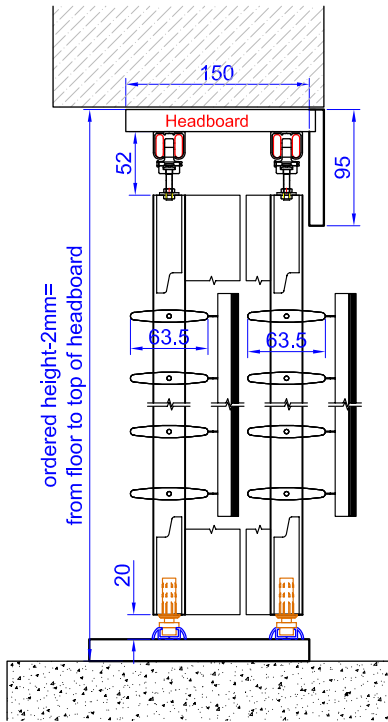
Sliding: Semi-Reveal Mount



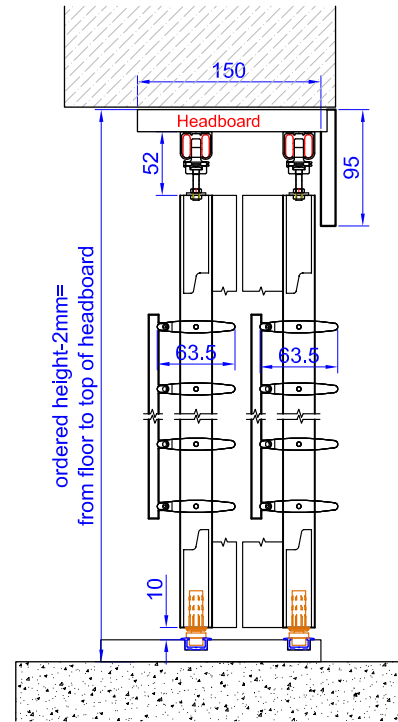
HOW TO ORDER

Product* : HP Painted Location : Width* : Enter Width Height* : Enter Height Mid-Rail Height : <input type="checkbox"/> <input checked="" type="checkbox"/> Uneven Panel Widths : <input checked="" type="radio"/> No <input type="radio"/> Yes	Color* : - select here - Blade* : - select here - Tilt Rod* : - select here - Stiles* : - select here - Installation Method* : Sliding Installation Type* : - select here - 1 Track 2 Tracks 3 Tracks Mount* : Panel Configuration* : - select here -	Split Rotation Height : Pelmet/Tracks* : - select here - Pelmet Blades Closed Pelmet Blades Open Track(s) Only Sideboards : Bottom Track* : - select here - Guide Recessed Bottomboard Yes	Special Instructions : Extras : Notes : Needs Drawing : <input checked="" type="radio"/> No <input type="radio"/> Yes Upload Drawing/Image : Choose File No file chosen Using Made2Fit Service :
---	---	---	---

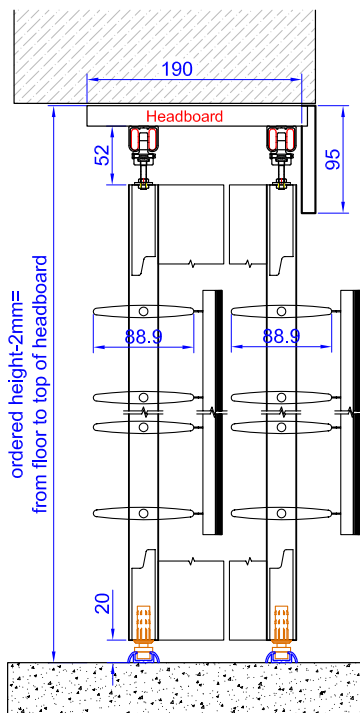
SLIDING BLADES OPEN, REVEAL MOUNT SPECIFICATION DRAWINGS



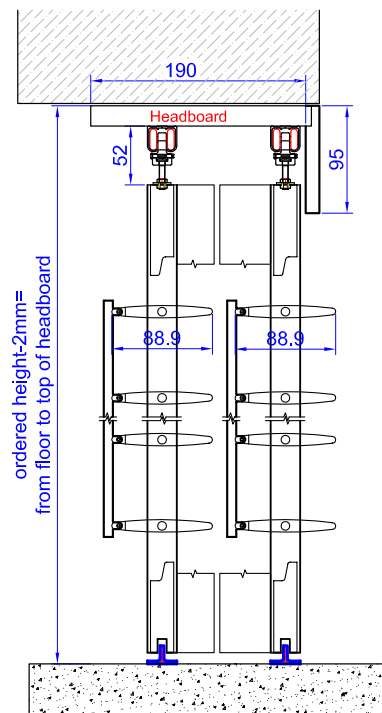
Blade: 64mm Blade
Tilt Rod: Center Rotation
Bottom Track: Surface Mount Track



Blade: 64mm Blade
Tilt Rod: Clearview Rotation
Bottom Track: Recessed Track

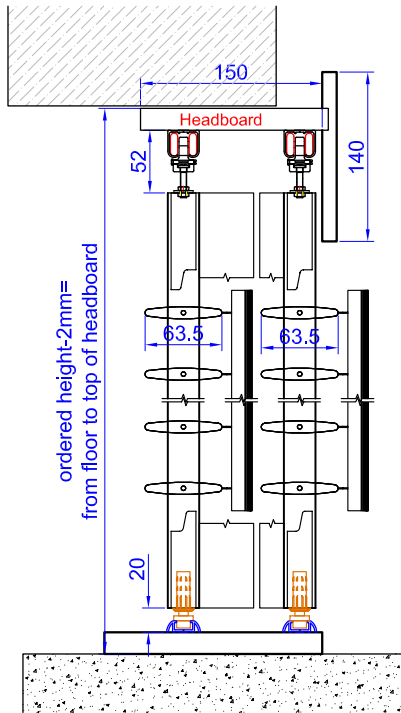


Blade: 89mm Blade
Tilt Rod: Center Rotation
Bottom Track: Surface Mount Track

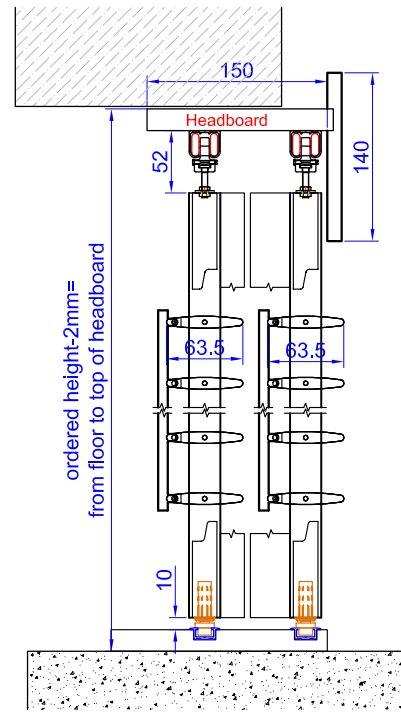


Blade: 89mm Blade
Tilt Rod: Clearview Rotation
Bottom Track: No Track, Guide Only

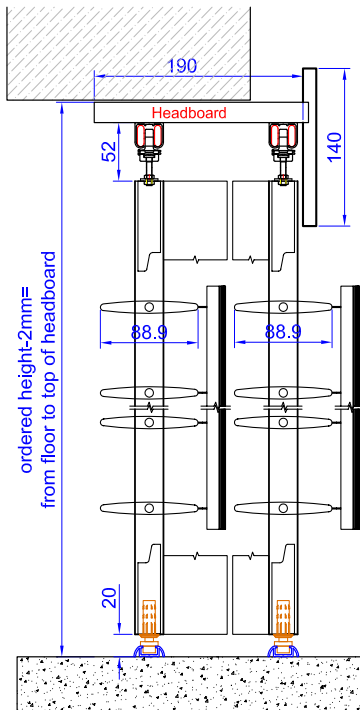
SLIDING BLADES OPEN, SEMI-REVEAL MOUNT SPECIFICATION DRAWINGS



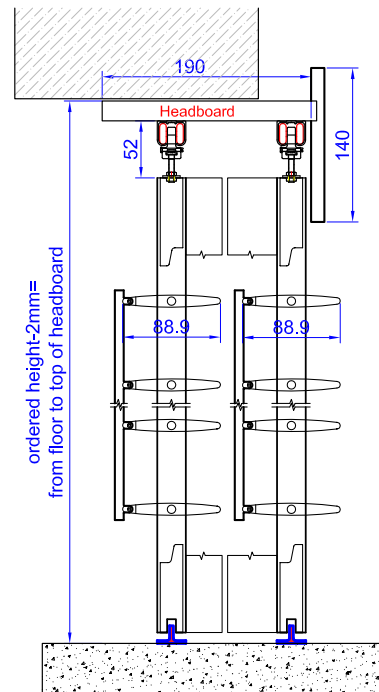
Blade: 64mm Blade
Tilt Rod: Center Rotation
Bottom Track: Surface Mount Track



Blade: 64mm Blade
Tilt Rod: Clearview Rotation
Bottom Track: Recessed Track

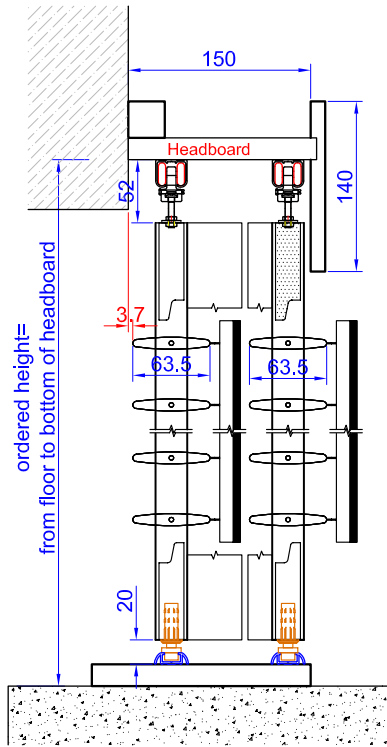


Blade: 89mm Blade
Tilt Rod: Center Rotation
Bottom Track: Surface Mount Track

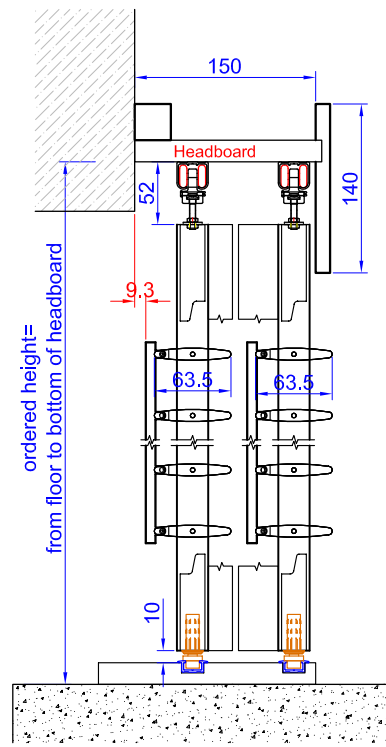


Blade: 89mm Blade
Tilt Rod: Clearview Rotation
Bottom Track: No Track, Guide Only

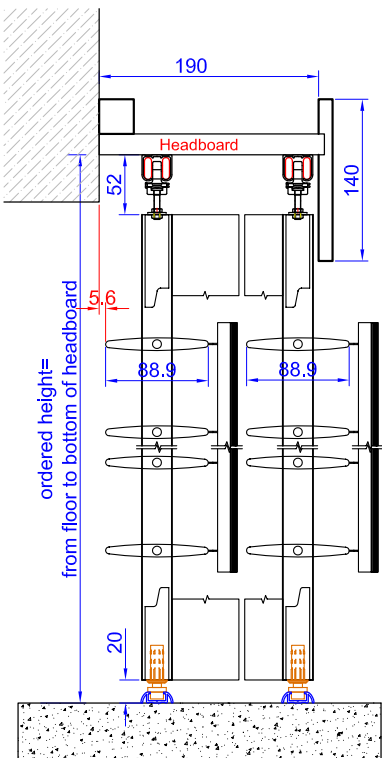
SLIDING BLADES OPEN, FACE MOUNT SPECIFICATION DRAWINGS



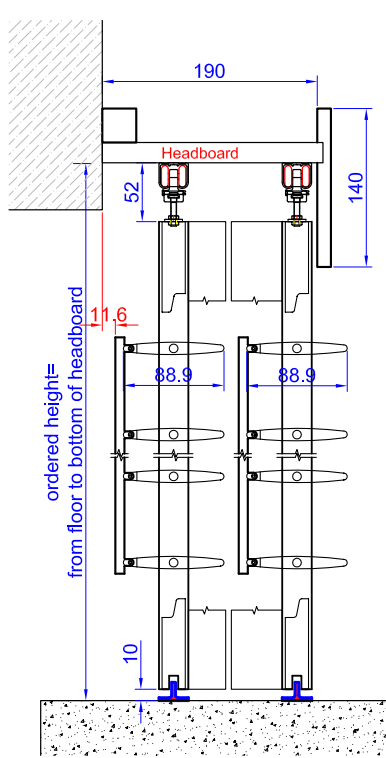
Blade: 64mm Blade
Tilt Rod: Center Rotation
Bottom Track: Surface Mount Track



Blade: 64mm Blade
Tilt Rod: Clearview Rotation
Bottom Track: Recessed Track

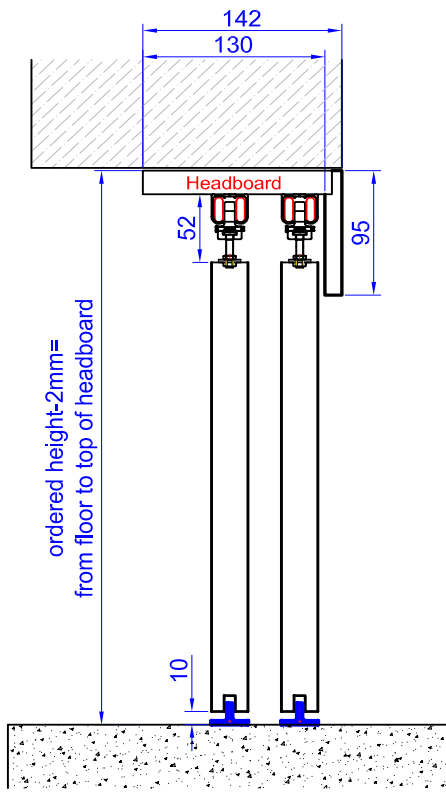


Blade: 89mm Blade
Tilt Rod: Center Rotation
Bottom Track: Surface Mount Track

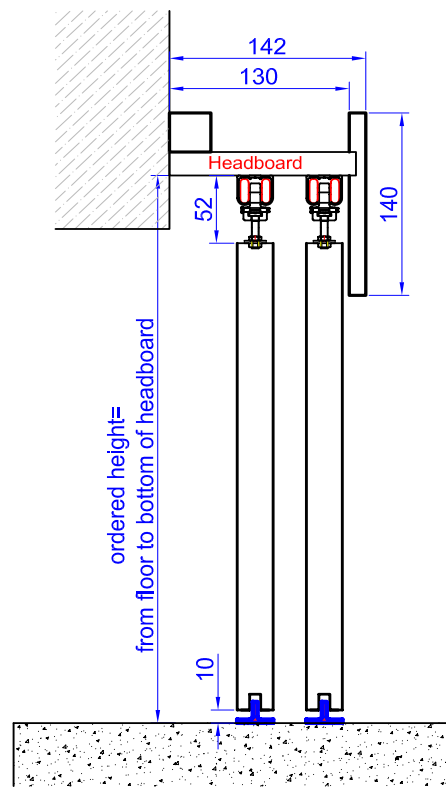


Blade: 89mm Blade
Tilt Rod: Clearview Rotation
Bottom Track: No Track, Guide Only

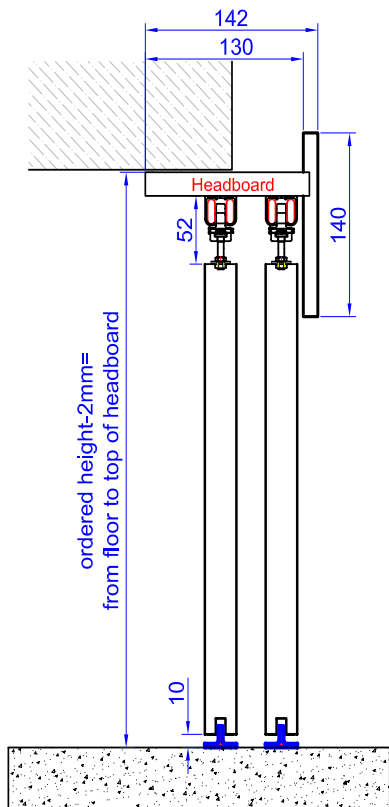
SLIDING BLADES CLOSED, ALL MOUNTS AND BLADE SIZES SPECIFICATION DRAWINGS



Mount: Reveal
Bottom Track: No Track, Guide Only



Mount: Face
Bottom Track: No Track, Guide Only



Mount: Semi-Reveal
Bottom Track: No Track, Guide Only

EXTRAS

SECURITY BOLT:

ONLY AVAILABLE IN HINGED IN FRAME AND HINGED NO FRAME OPTIONS

HOW TO ORDER:



Extras

Extras: Security Bolt

Quantity: 2

Panel:

1 - Top	1 - Bottom
2 - Top	2 - Bottom
3 - Bottom	
3 - Top	
4 - Bottom	

Assign Remove

Save Cancel

The Security Bolt is stainless steel and is placed at the top or bottom of the selected panel(s) stile on the opposite side of the hinges.

STANDARD TIMBERS:

Extras

Extras: - select here -

Quantity:

Length:

Save

- ✓ - select here -
- 19x19 Timber
- 26x33 Timber
- 26x40 Timber
- 26x65 Timber
- 33x20 Timber
- 33x33 Timber

CUSTOM TIMBERS:

Extras

Extras: Custom Timber-Up to 52x250mm

Length:

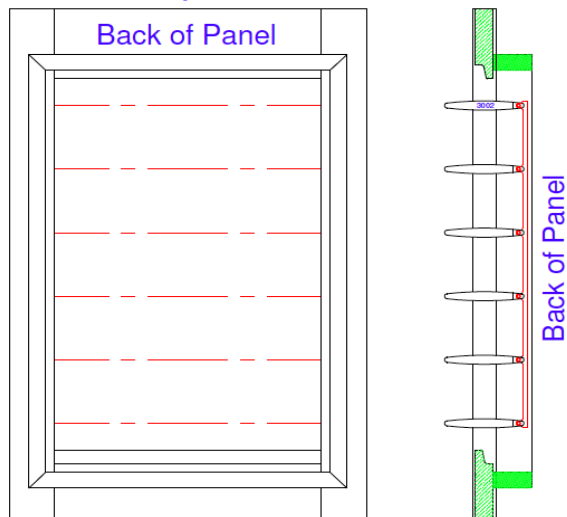
Dimensions:

Save Cancel

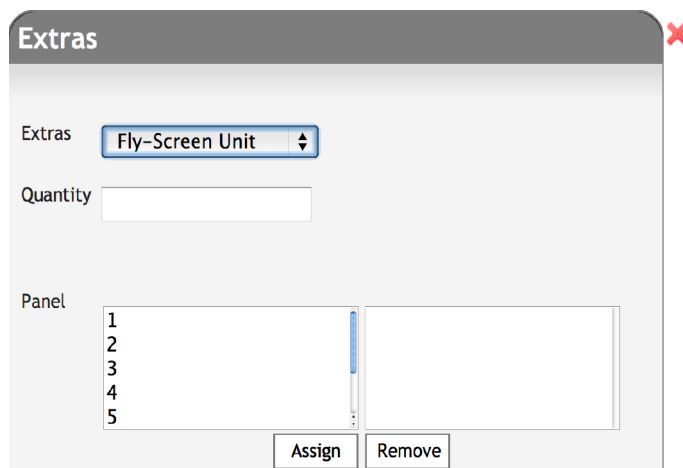
The maximum length for timbers is 3000mm. Lengths requested that exceed this will be cut in half automatically.

EXTRAS

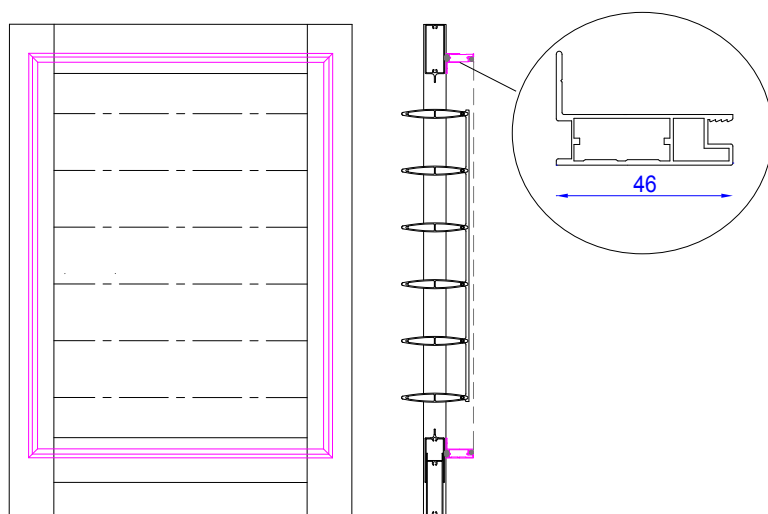
FLY SCREEN BEADING:



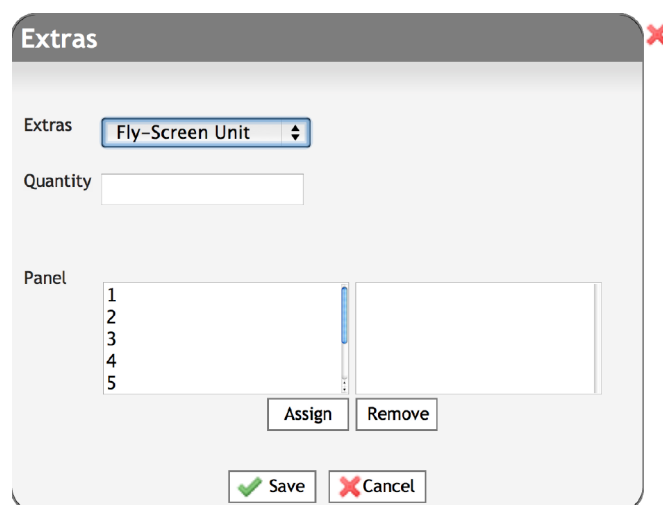
HOW TO ORDER:



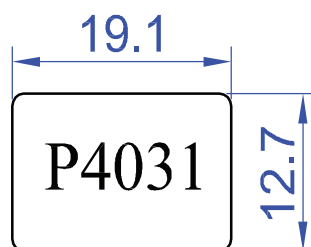
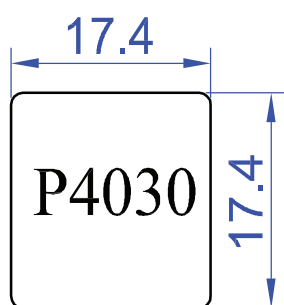
FLY SCREEN & UNIT



HOW TO ORDER:



PVC PACKERS



EXTRAS

UNIVERSAL PULL STICK

Open shutter blades with ease in out of reach installations for light adjustment.
Available in White.

HOW TO ORDER:

Select from the *Extras* drop-down menu.

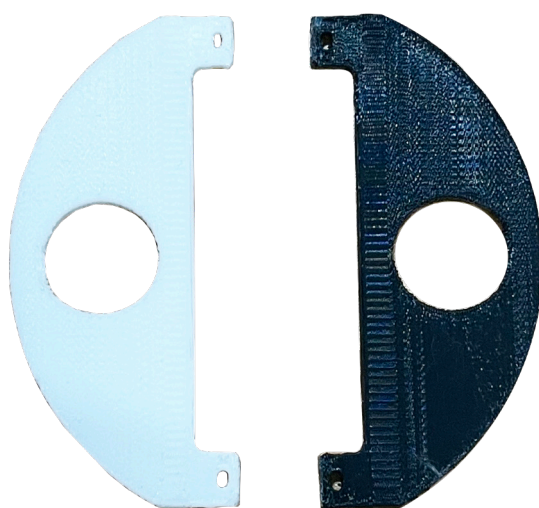


BLADE CLOSURE RING PULL

- Available Sizes: 64mm, 89mm, 114mm blades
- Color options: Black and White
- Product Code A9100

How to Order

When placing your order, please select from the *Extras* drop-down menu.



EXTRAS

CUPBOARD CATCH

Designed to hold firmly and prevent doors swinging open during windy conditions. The catch is made from plastic and installed with a stainless steel screw (rust proof). No surcharge applicable.

HOW TO ORDER:

When placing your order, please select *Cupboard Catch* from the *Extras drop-down*. This option will be supplied loose in order to prevent damage in transit.



COLOUR MATCH STICKERS

Colour match stickers are available for custom colour jobs. Surcharge applies.



PRE-DRILLING OF FRAMES

If requested in Special Instructions, the factory will pre-drill countersunk holes as per the following guidelines:

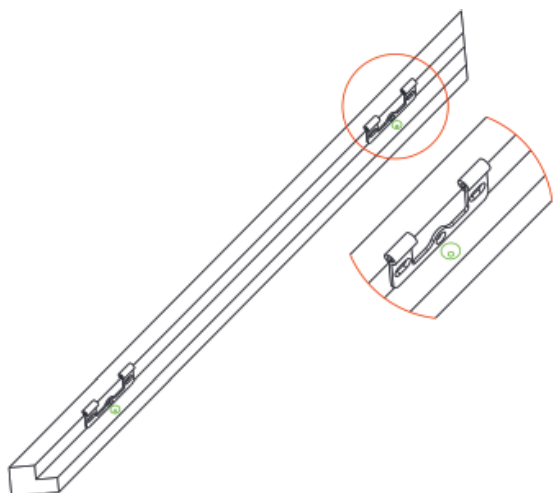
Inside Mount -



Outside Mount -

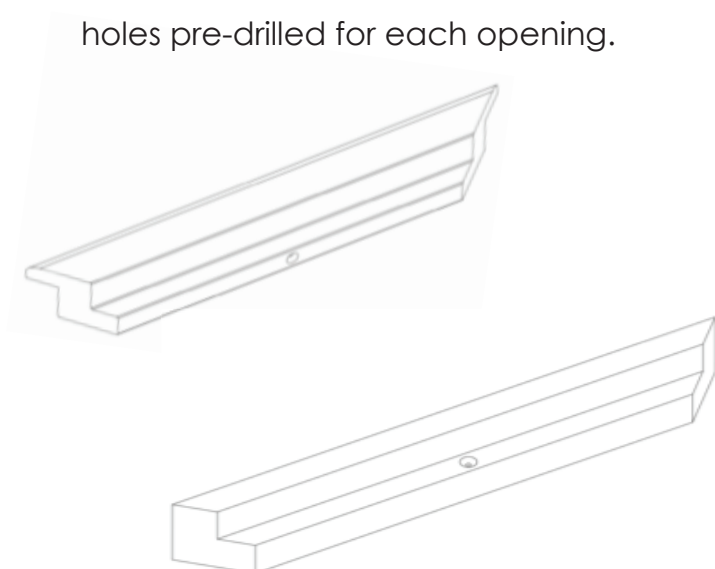


Side Frames - The pre-drilled hole will be placed at the center of the hinge section and will line up with the middle of the hinge screws on both the top and bottom hinges. See below drawing.



Top & Bottom Frames - If there is only one panel, no holes are needed.

If it is more than one panel, a hole will be pre-drilled at the center of the top and bottom frames with a maximum of six holes pre-drilled for each opening.



SHAPED SHUTTERS

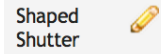
AVAILABLE IN LIMITED L FRAME AND Z FRAMES. ALSO AVAILABLE FIXED WITH BULLET MAGNETS.

01

Choose your Installation Method and see relevant pages for instructions.

02

Select on the Shaped Shutter option to select the shape required.



03

Enter Height 2 if required for the shape selected (see below drawings explaining which shapes require the Height 2 field)

04

Select Stepped (Warranty), or Straight (Non-Warranty) rail.

05

Approve the Non-Warranty item if straight rail type is selected.

Shaped Shutter



Height 2: Enter Height 2
Rail Type: Straight
Shape Type: Right Rake

Approve*:



Non-Warranty

06

If you would like to submit a drawing with your order, upload the drawing in the "Upload File" field.

07

To receive a CAD drawing from the factory (recommended) of the special shape, select yes for "Needs Drawings".

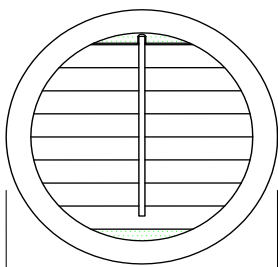
Needs Drawing

No Yes

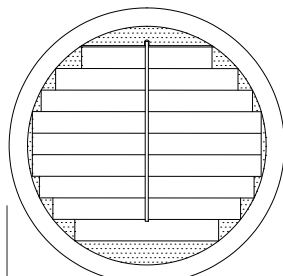
Upload File

Choose File

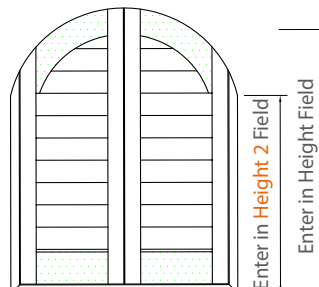
No file chosen



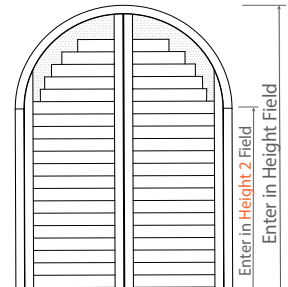
Enter in Width Field
Circle : Non-Warranty



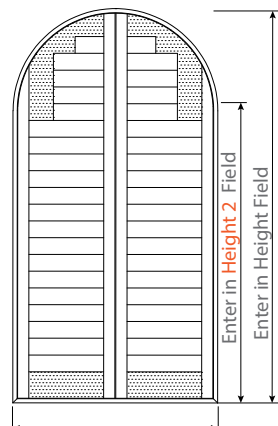
Enter in Width Field
Circle: Warranty



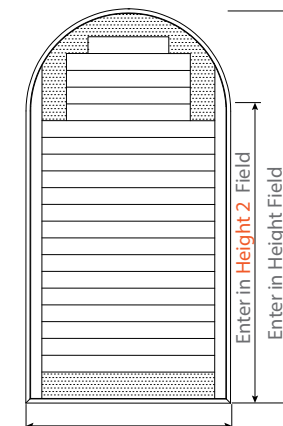
Enter in Width Field
Arch: Non-Warranty



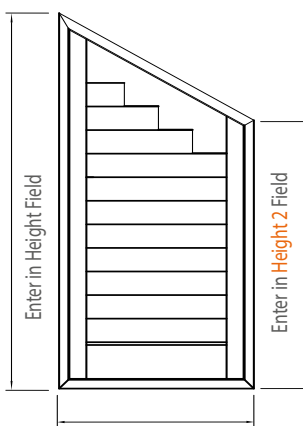
Enter in Width Field
Arch: Warranty



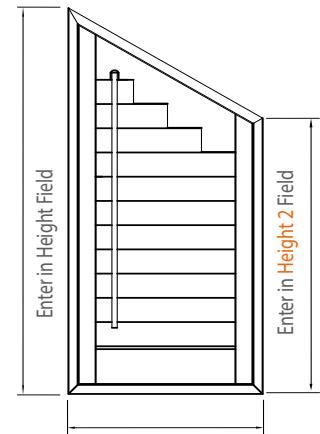
Enter in Width Field
Arch: Warranty



Enter in Width Field
Arch: Warranty

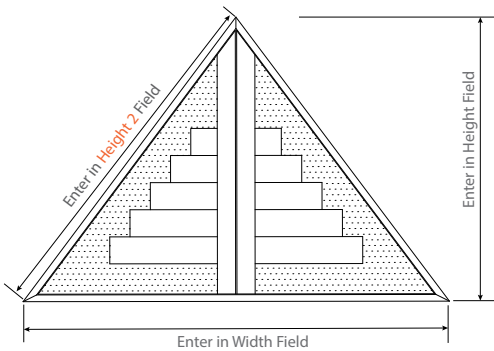


Enter in Width Field
Right Rake: Warranty

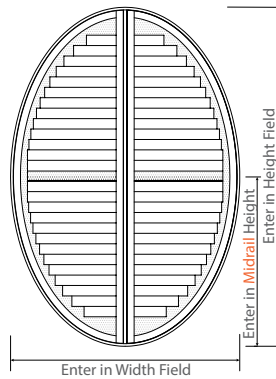


Enter in Width Field
Right Rake: Warranty

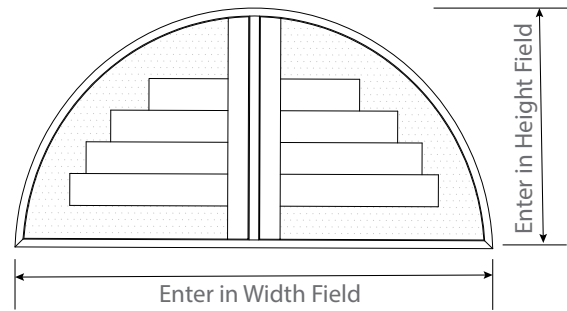
SHAPED SHUTTERS



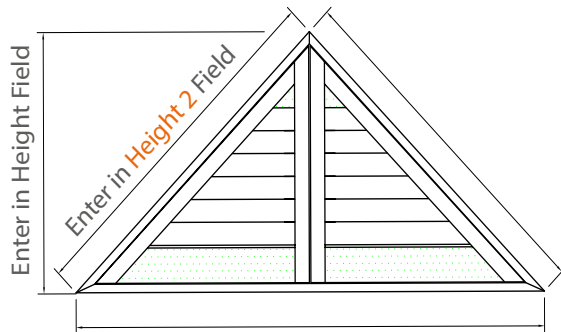
Triangle: Warranty



Oval: Warranty



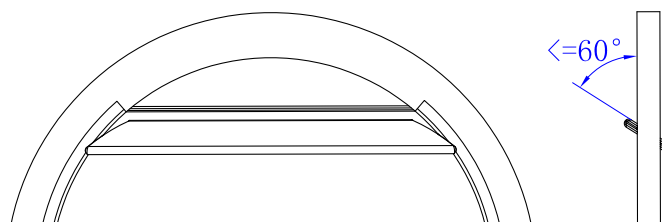
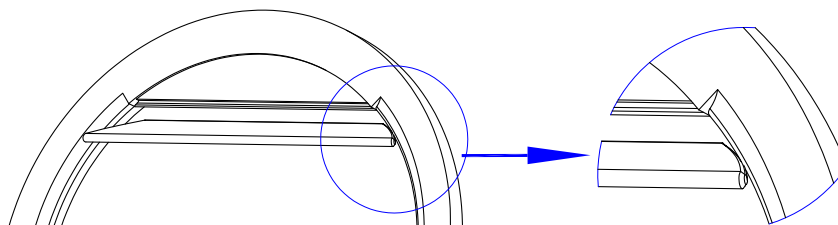
Half Arch: Warranty



Triangle: Non-Warranty

WARRANTY VS. NON WARRANTY SPECIAL SHAPES

Special shapes with straight rails are limited to a blade operation of 60 degrees. If blades are extended beyond their designed rotation they may snap. Above all the structural integrity of each shutter must be maintained. If rails are not stepped the blade edges and stiles are chamfered to create the straight/round look. This process if done excessively can compromise the structural integrity of the shutter. We recommend and warranty stepped rails for all special shapes as its allows for full blade operation.

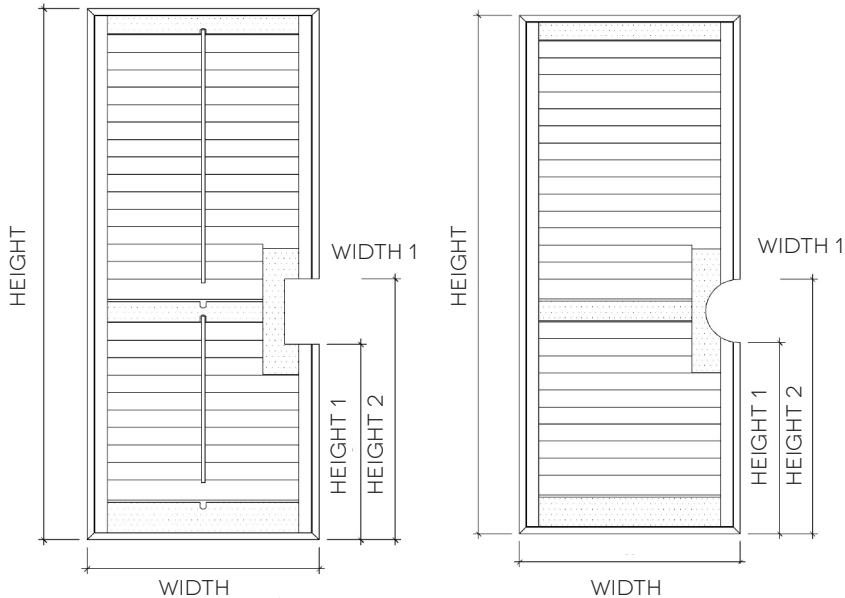


FRENCH DOOR CUT-OUTS:

SQUARE CUT-OUTS AVAILABLE IN ALL FLAT, BEADED AND INSERT L FRAMES.

ROUND CUT-OUTS AVAILABLE IN ALL FLAT AND BEADED L FRAMES

HOW TO MEASURE:



Backing Board:

Please note that all French Doors come with a backing board as a default. If you do not wish for one to be provided, please state in notes.

HOW TO ORDER:

French Door Cut-out

Cut-Out Shape Square Round

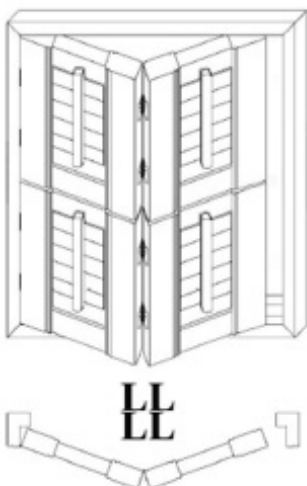
Height 1

Height 2

Width

TIER ON TIER:

AVAILABLE IN ALL HINGED IN FRAME AND NO FRAME OPTIONS



A horizontal T-post is not supplied by default on Tier on Tier applications and must be requested in the notes section of the order form.

HOW TO ORDER:

Special Instructions

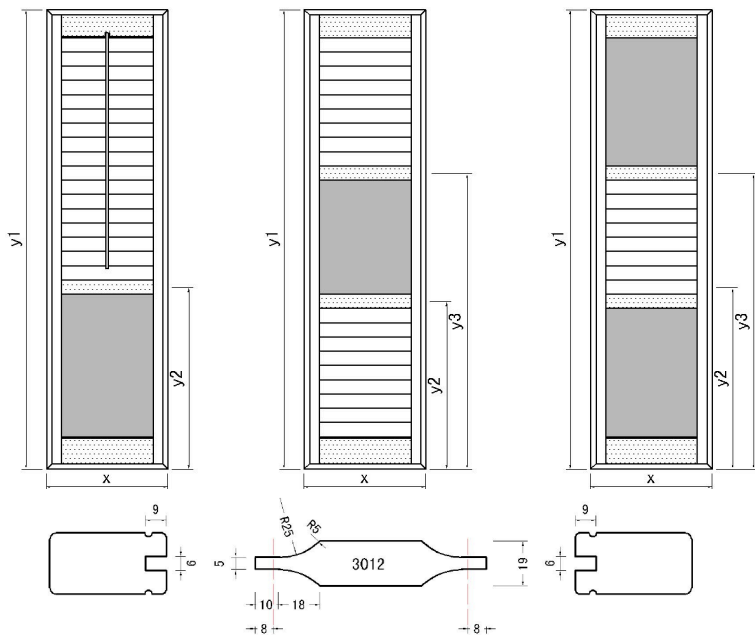
Special Instructions

Pivot Rebate Bottom Only Pivot Rebate Top Only Rebate Magnets Round Striker Plates Stainless Steel Hinges	Tier on Tier <input type="text"/>
---	--------------------------------------

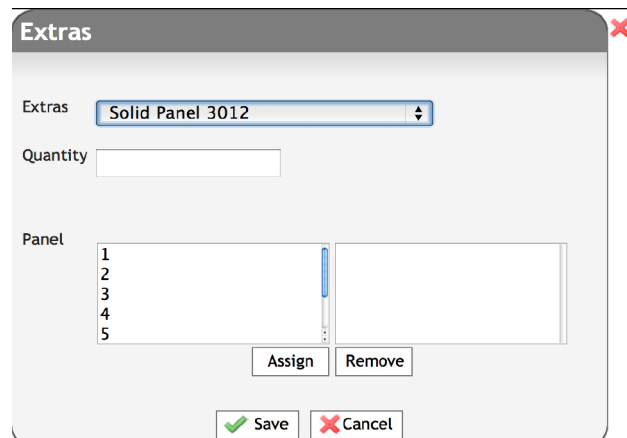
1. Select "Tier on Tier" in the Special Instructions.

2. Enter the height you would like the horizontal T-post to be positioned at in the Notes section. Please give the measurement from the bottom of the opening to the center point of the horizontal T-post position.

SOLID PANELS: HOW TO MEASURE:



HOW TO ORDER:



The solid section of the shutter is a medium density fibreboard.

MAGNET INSTALLED FOR PANELS >2200MM



Magnet installed midway
behind stile.

When the panel is >2200mm
the magnet comes standard.

For panels <2200mm,
please request under Special
Instructions.

SHELF BRACKET

Available in Mill (colour).

HOW TO ORDER:

Order under *Extras* with your specified width requirements.

IMPORTANT NOTE

The opening has to increase by 40mm in height.

Measurement is to the bottom of the headboard as a standard face fit opening.

It is up to the dealer to provide the measurement to the underside of the headboard increasing the height of the opening by a minimum of 40mm.

