



COLOURVUE

COLOURVUE ROLLER  
BLIND PRODUCT GUIDE

V061224





## TWO GUIDELINES

Orders that are released to TWO are processed in the most timely manner possible. As such, any changes made to an order once it is released to TWO cannot be guaranteed to be applied.

Invoices for orders with multiple products are due upon receipt of each product.

If the order is already in production, initial costs, cancellations or any change costs will be the responsibility of the dealer to cover.

All drawings, notes and emails with questions must be answered before an order is entered in to the production line. Delays in the timely processing of these by customers will lead to longer lead times.

All factory/freight repairs are to have photographic/video proof. If neither are available at the time of placing the repair, it will be processed as a dealer responsibility. TWO will credit back the cost of the repair once proof of factory/freight responsibility is given.

For special request/non-standard/limited availability items please check first with Head Office for availability. Any surcharges for these items will be the responsibility of the dealer to cover, even if it is not listed on the price list.

PDF Estimates generated from the system may not reflect final pricing. If all items are not selected in the order form or details are added to the notes section, the price may be altered.

All dealers are responsible for having the most current price lists and product manuals. If unsure please contact your Account Manager to confirm.

## TABLE OF CONTENTS

|                                 |    |
|---------------------------------|----|
| Care & Maintenance.....         | 4  |
| Child Safety Regulations.....   | 4  |
| <b>Roller Blind</b>             |    |
| Fabric & Colours.....           | 6  |
| Chain & Bottom Rail.....        | 9  |
| Valance, Pelmet & Cassette..... | 9  |
| Mount.....                      | 10 |
| Componentry.....                | 11 |
| Operation.....                  | 16 |
| Motorisation Accessories.....   | 20 |
| Options.....                    | 23 |





## CARE & MAINTENANCE

- Most blind fabrics have stain-resistant protection.
- Cleaning and maintenance of the fabrics should be done with a vacuum and soft brush attachment to remove any loose dirt, fluff or dead bugs.
- Never use abrasive products or solvents/industrial based cleaners.
- If unsure, try cleaning a small inconspicuous area of the blind.

## CHILD SAFETY REGULATIONS

For complete regulations, please refer to the Trade Practices (Consumer Product Safety Standard - Corded Internal Window Coverings) Regulations 2010.

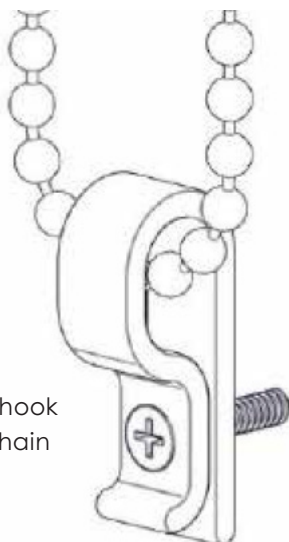
Below is an excerpt from this document regarding standard installation instructions.  
Standard - Installation Instructions

The installation instructions mentioned in paragraph 6(1)(c)\* must include:

- a) a statement that, to avoid creating a possible strangulation hazard for children, the corded internal window covering must be installed in such a way that a loose cord cannot form a loop 220 mm or longer at a height of less than 1 600 mm above floor level; and
- b) practical suggestions on how to install the corded internal window covering to ensure compliance with paragraph (a), including:
  - (i) a statement that a cord guide may be installed lower than 1 600 mm above floor level if the cord is sufficiently secured or tensioned to prevent a loop 220 mm or longer from being formed; and
  - (ii) a statement that if a cord guide is installed lower than 1 600 mm above floor level it must be designed to prevent a child from being able to remove the cord; and
  - (iii) a statement that if a cleat is used to secure the cord it must be at least 1 600 mm above floor level because a child is capable of unwinding a cord from a cleat.

TWO requests following these guides to ensure compliancy at all times.

\*Source: Trade Practices (Consumer Product Safety Standard - Corded Internal Window Coverings) Regulations 2010.



Chain tensioning hook is standard with chain operated blinds.



Warning Labels



# COLOURVUE

## ROLLER BLIND

To ensure you are reading the most up to date product information, always refer to the latest version of the product guide. The latest version is available to download from the TWO Ordering System.

If you have any product, installation, ordering or pricing questions, please contact your TWO Account Manager for assistance.

Available Fabric Range

**Group 1**

Vibe (BO)\*  
 Focus (BO)\*  
 One Block (BO)  
 Solitaire (BO)  
 Metroshade (BO & LF)\*  
 Sanctuary (BO & LF)\*  
 Duo Light (LF)  
 Kleenscreen (S)\*  
 One Screen (S)

**Group 2**

Barbados (BO)  
 Duo Block (BO)  
 Kew (BO)  
 Vivid Block (BO)  
 Cascata (BO)  
 Balmoral (BO & LF)  
 Jersey (BO & LF)\*  
 Palm Beach (LF)  
 Aventus 3% (S)  
 Aventus 5% (S)  
 Aventus 10% (S)  
 Solar View (S)  
 Duo Screen (S)  
 Vivid Shade (S)  
 Dayscreen 5% (S)

**Group 3**

Vibe Metallic (BO)  
 Kleenscreen (BO)  
 Chatsworth (LF)  
 Le Reve (LF)\*  
 Linesque (LF)\*  
 Mantra (LF)  
 Spectre (LF)  
 Skye (LF)  
 Dayscreen 1% (S)  
 Orora FR (S)

**Group 4**

Le Reve (BO)\*  
 Linesque (BO)\*  
 Chatsworth (BO)  
 Icon FR (BO)  
 Mantra (BO)  
 Palm Beach (BO)  
 Skye (BO)  
 Karma (BO)  
 Gala (BO)  
 Serengetti (BO & LF)  
 Dakota (S)  
 Enviro Vision (S)

BO = Blockout | LF = Light Filter | S = Screen

Swatched Fabric Range

The below fabrics and colours are swatched in the Colourvue Roller Blind fabric swatch. To order a swatch, please contact your TWO Account Manager.

| Fabric   | Colours  |
|--|--|
| <b>Group 1</b>                                 |  |
| Kleenscreen (S)                                | Pure White, Barley, Alloy, Charcoal, Black               |
| Focus (BO)                                     | White, Chalk, Cloud, Espresso, Shell, Ebony, Ash, Coal   |
| Vibe (BO)                                      | Alloy, Cloud, Coal, Ice, Limestone, Pure, Terrace, Storm |
| Sanctuary (BO & LF)                            | Plaster, Limestone, Ceramic, Mineral, Baltic             |
| Metroshade (LF & BO)                           | Dove/White, Nougat, Ice Grey, Quill, Moonstone           |
| <b>Group 2</b>                                 |  |
| Jersey (LF & BO)                               | Opal, Render, Timber, Pavement                           |
| Balmoral (LF & BO)                             | White, Putty, Concrete, Dove                             |
| <b>Group 3</b>                                 |  |
| Le Reve (LF)                                   | Sand, Chalk, Crystal                                     |
| Linesque (LF)                                  | Lilly, Oatcake, Trellis, Owl, Winter                     |
| <b>Group 4</b>                                 |  |
| Le Reve (BO)                                   | Sand, Chalk, Crystal                                     |
| Linesque (BO)                                  | Blanco, Soba, Vine, Dove, Aspen                          |
| BO = Blockout   LF = Light Filter   S = Screen |  |

### Chain Type & Length



A standard roller blind is operated using a pre-looped metal or plastic chain.

The length of chain is determined by the factory - see table below.

If the blind will be installed in a high position, please specify a chain length which will allow ease of operation.

Stainless steel chains are available for wet areas - an additional charge will apply.

#### Chain Options

| Type            | Colours                       | Drop (mm)   | Length (mm) |
|-----------------|-------------------------------|-------------|-------------|
| Stainless Steel | Stainless Steel               | < 900       | 500         |
|                 |                               | 901-1200    | 750         |
| Metal           | Metal                         | 1201- 1500  | 1000        |
|                 |                               | 1501 - 1800 | 1250        |
|                 |                               | 1801 - 2100 | 1500        |
| Plastic         | Black, White, Grey, Sandstone | 2101 - 2400 | 1750        |
|                 |                               | 2401 - 2700 | 2000        |
|                 |                               | 2701 - 3000 | 2250        |

Rollease Acmeda Stainless Steel chains are now provided with a certification, assuring customers they are guaranteed for use with Rollease Acmeda Chain Operated Systems.



### Bottom Rail

D30 Standard & Silent    Oval



Tear Drop Fabric-Wrapped



The D30 Silent and Tear Drop Fabric-Wrapped are surcharged.



#### Colours

##### D30 Bottom Rail

Smooth Finish:Black, Anodised, White, Sandstone Textured Finish: Black, White

##### Oval Bottom Rail

Black, Anodised, White

##### Tear Drop Fabric-Wrapped Bottom Rail

White, Black

The following fabrics are excluded from fabric wrapping: Light Filters, Screen and One Block, Duo Block, Vivid Block, Vibe and Focus.





**Approved Fabrics for Tear Drop Fabric Wrap Bottom Rail**

**Texstyle Fabrics**

**Shaw Fabrics**

Balmoral BO & LF

Aventus 3%, 5% & 10%

Barbados BO

Dayscreen 1% & 5%

Cascata BO

Duo Screen S

Dakota S

Enviro Vision S

Gala BO

Karma BO

Jersey BO & LF

Le Reve BO (LF not available)

Kleenscreen BO & S

Linesque BO & LF

Metroshade BO & LF

Mantra BO (LF not available)

One Screen S

Orora FR LF

Sanctuary BO (LF not available)

Palm Beach BO & LF

Serengetti BO & LF

Skye BO

Solar View S

Spectre LF

Vivid Block BO

Vibe Metallic BO

Vivid Shade S

Valance, Pelmet & Cassette

Attached with a snap-lock function for ease of installation.

If you request the valance or pelmet to go over several blinds please enter the width you require in the cover length section.



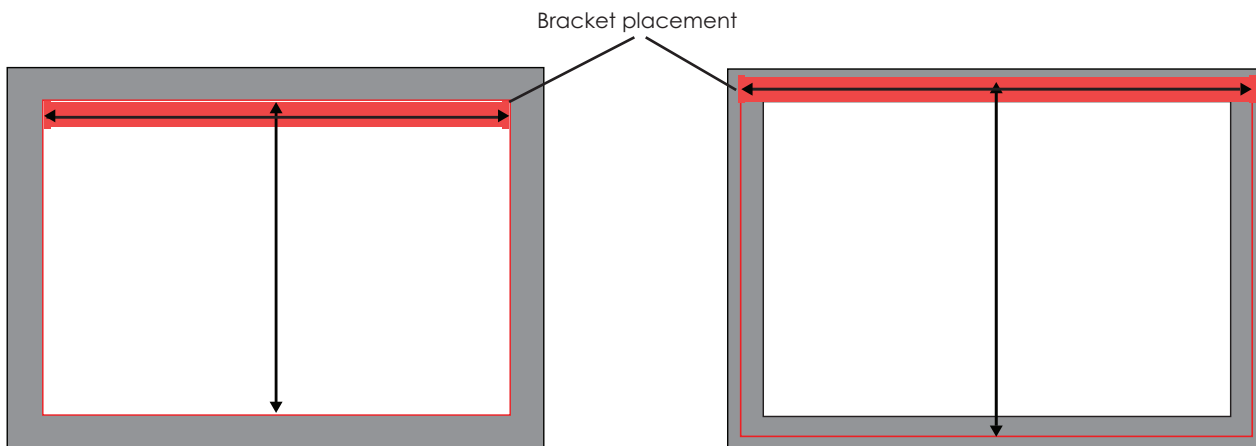
Valance, Pelmet & Cassette Options

| Colours  | Mount           | Note   |
|--|-----------------|--|
| Black, Anodised, Sandstone, White.<br>Custom fabric match for valance and pelmet only. | Reveal and Face | Fabric wrap not available in Sunscreen, Light Filter, Vibe, Focus or Solitare. |

Please note that the maximum width the FRS120 Valance is available in is 4.8 m.

Recess

Face Fit



Recess (Inside) - Blind is installed on the inside of the opening.

Face Fit (Out) - Blind is installed on the front of the opening.

Preferably, a sunscreen roller blind would be installed inside the window frame to maximise the blinds thermal insulation.

When determining the mount, check for any obstructions within or outside of the window opening. Some examples are door handles, window winders, bench tops, cabinets or skirting boards which may affect the operation of the blind as it moves up and down.

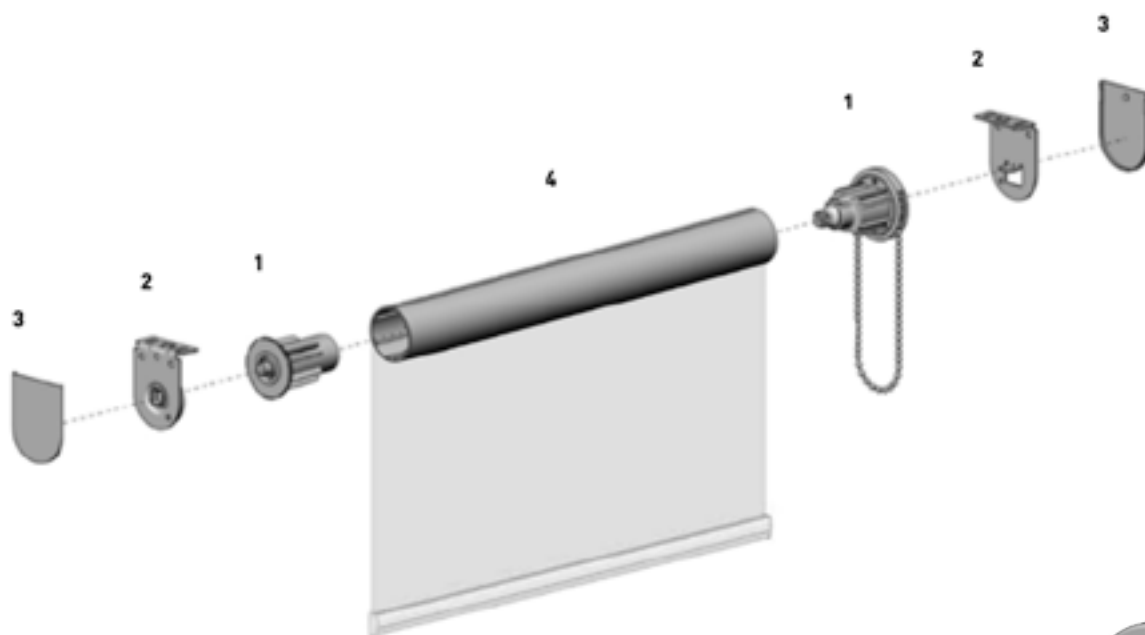
If there are obstructions, consider changing the roll direction of the blind or mount the blind on the outside of the window frame.

The factory reads blind measurements as width first, followed by drop (W x D). We suggest to always note your measurements down as width x drop, to ensure your measurements are correctly entered into the ordering system.

**⚠ Roller blind orders received are assumed to be outside bracket to outside bracket. We do not take any further deductions.**

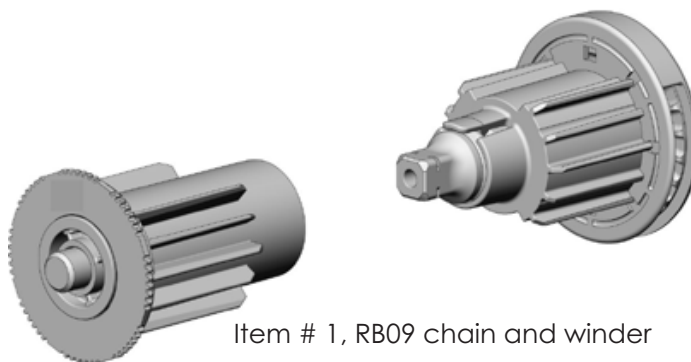


Componentry Breakdown



**Item # Description**

- 1 RB09 chain and winder
- 2 RB09 Single Bracket
- 3 VX-LX Bracket cover caps S45
- 4 T-Spline Aluminum Tube S451



Item # 1, RB09 chain and winder

Tube

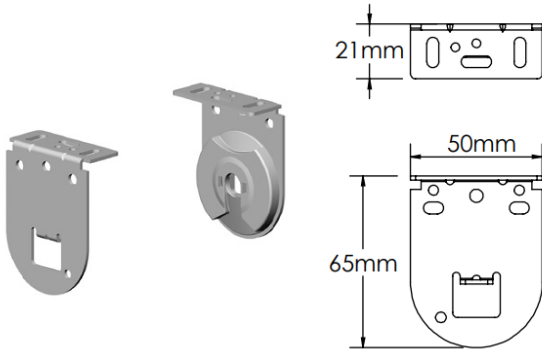
The aluminium tube used to manufacture your blinds depends on the overall blind width. Please refer to the table below.

| BLIND WIDTH (mm) | STANDARD ROLL TUBE |
|------------------|--------------------|
| 0 - 2100         | 43mm Light         |
| 2101 - 2600      | 43mm Standard      |
| 2601 or greater  | 49mm Heavy Duty    |

### RB09 Single Brackets 40mm

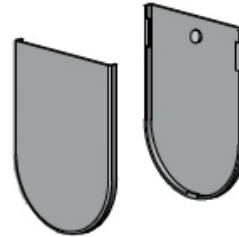
Bracket Size:

- 50 x 65mm



40mm Bracket Covers:

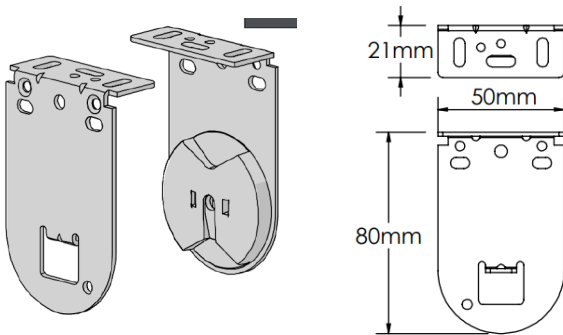
- Available in White, Black, Sandstone, Silver, Grey, Barley
- Surcharged



### RB09 Single Extension Brackets 55mm

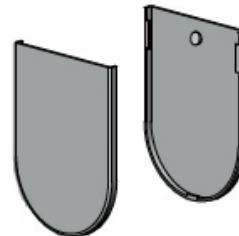
Bracket Size:

- 55mm x 80mm



55mm Extension Bracket Covers:

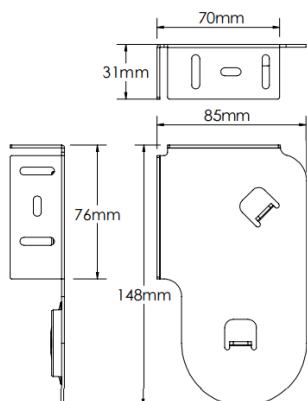
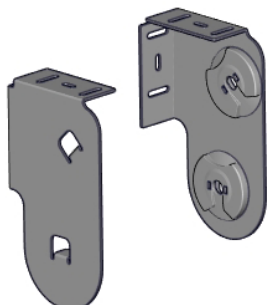
- Available in White, Black, Sandstone, Silver, Grey, Barley
- Surcharged



### RB09 Dual Slim Top Front Brackets

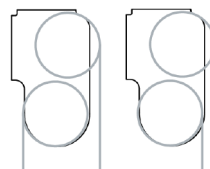
Bracket Size:

- 85mm x 148mm



Roll Direction:

- Top Front - Front Roll only
- Bottom Back - Front or Back Roll
- Max Roll Size - 70mm



Dual Slim Bracket Covers:

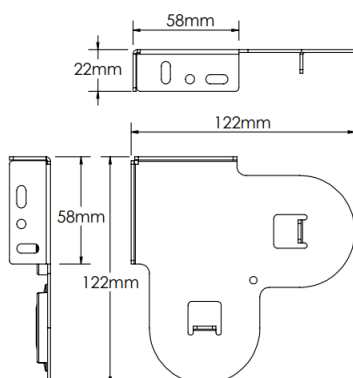
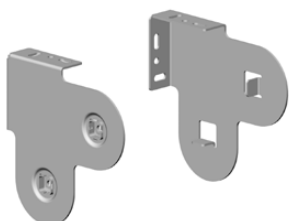
- Available in White, Black, Sandstone, Silver, Grey, Barley
- Surcharged



### RB09 Dual Same Side Brackets

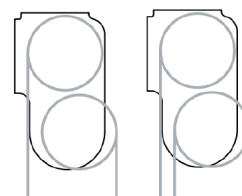
Bracket Size:

- 122mm x 122mm



Roll Direction:

- Top Back - Back Roll only
- Bottom Front - Front or Back Roll
- Max Roll Size - 70mm



Dual Slim Bracket Covers:

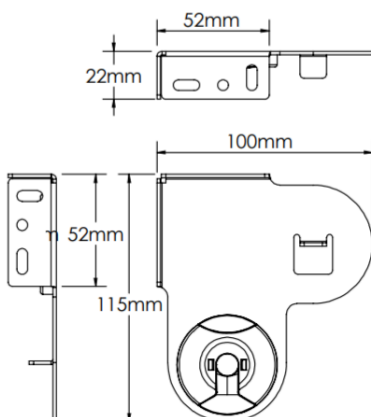
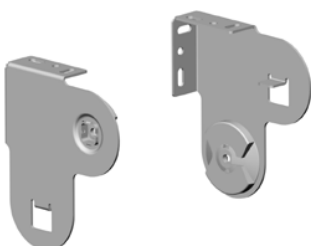
- Available in White, Black, Sandstone, Silver, Grey, Barley
- Surcharged



### RB09 Dual Opposite Side Brackets

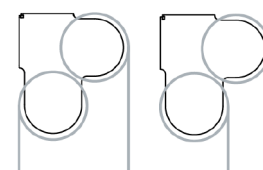
Bracket Size:

- 100mm x 115mm



Roll Direction:

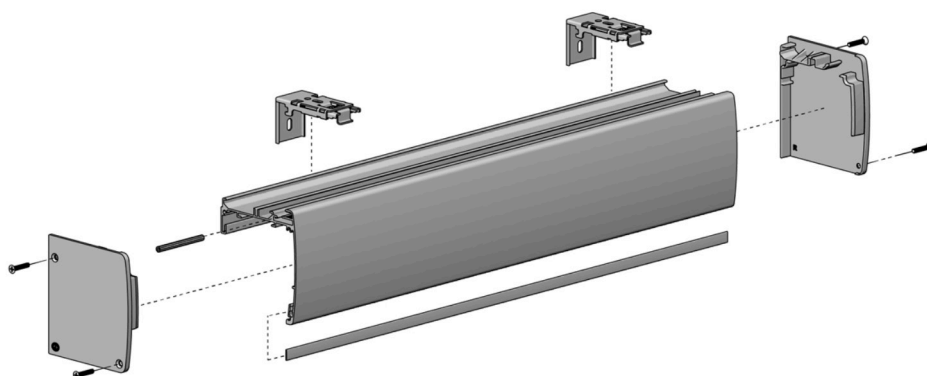
- Top Front - Front Roll only
- Bottom Back - Front or Back Roll
- Max Roll Size - 65mm



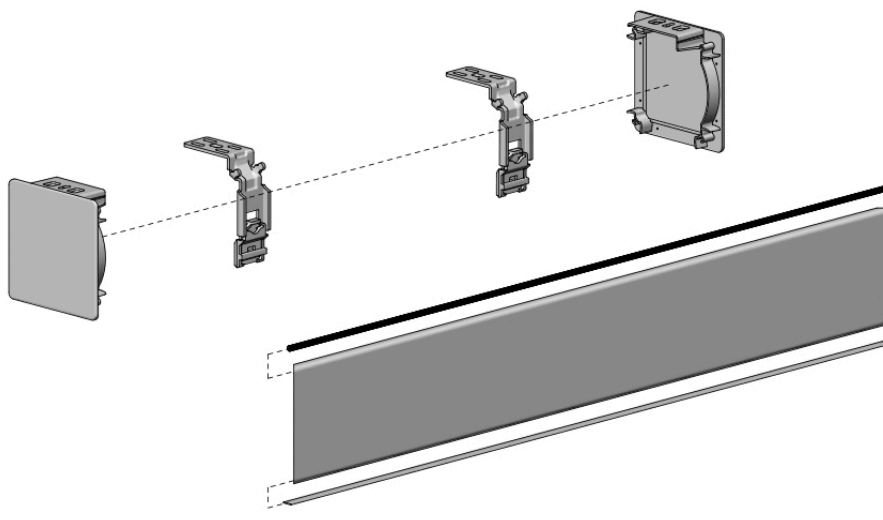
Bracket Covers: Are unavailable for this bracket



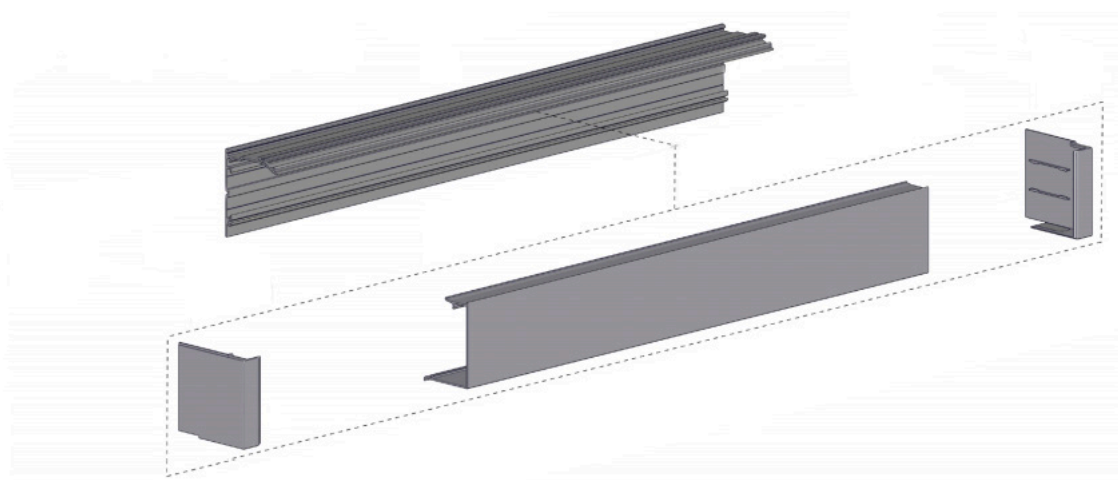
Pelmet 95



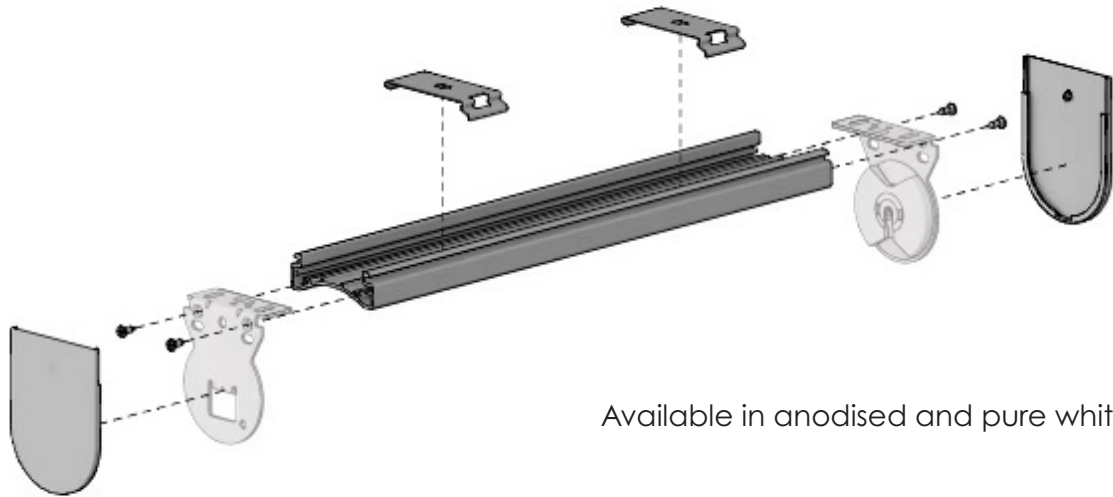
FRS120



CF90



Headboard Mounting Rail



Available in anodised and pure white.

Manual: Chain



A chain operated roller blind is controlled using a pre-looped metal, stainless or plastic chain that is located in the chain drive.

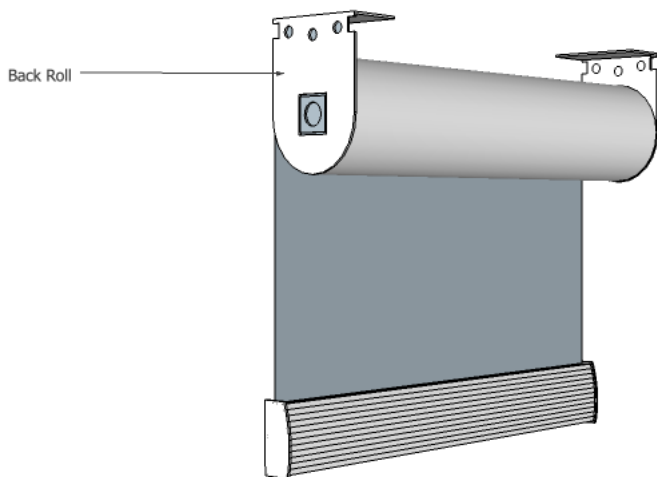
This chain can be located on the left or right side.

When it comes to the roll direction, it can be applied as back rolled which is standard, or front rolled.

**Back Rolled (Standard)**

The fabric rolls off the top of the tube and towards the back of the blind (closer to the window).

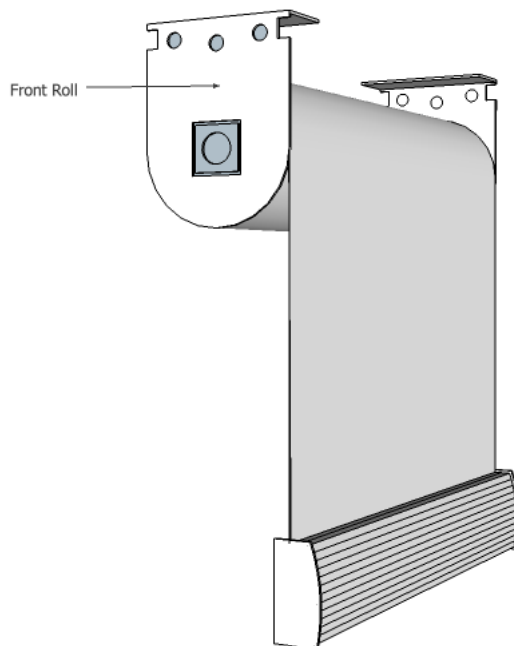
The advantage of back-rolling a blind means that the blind fabric sits closer to the window increasing its thermal insulation and reducing the gap between the window glass and the fabric. The disadvantage of back-rolling a blind means that the colour of the fabric backing (if a blackout with white backing on reverse side) will be visible at the top of the blind, however this can be covered using a valance/pelmet.



**Front Rolled**

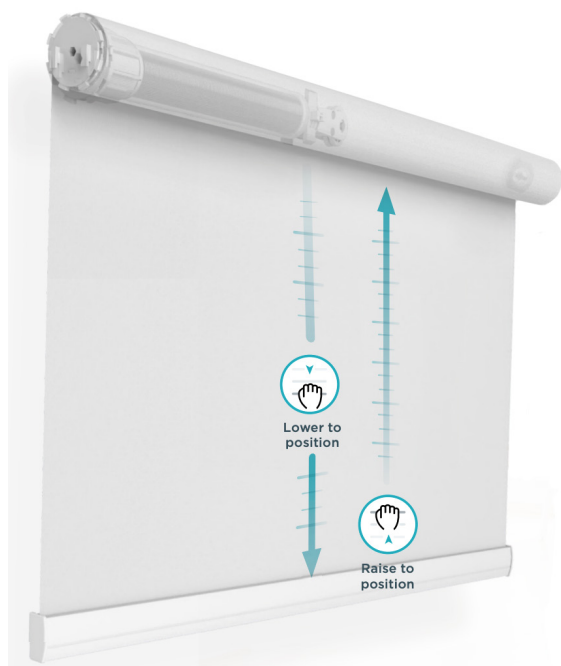
The fabric rolls off the top of the tube and towards the front of the blind (away from the window).

The advantage of front-rolling a blind means that the colour of the fabric chosen is visible at the top of the blind and the blind fabric is able to clear any obstructions that may be present. The disadvantage of front-rolling a blind means that the gap between the window glass and the fabric is larger and this reduces its thermal insulation.





Manual: Easy Spring Air



Rollease Acmeda's Easy Spring Air is a chain free child-safe roller blind. Effortlessly raise or lower the bottom rail to the desired position. The premium minimalist design of the Easy Spring Air has eliminated the need for chains.

Easy Spring Air:

- 900mm minimum - 3000mm maximum
- Decorative covers, dual blind and easy-link blind configurations are not available for this control type.

Internal Pull Stick with Wall Clip:

- Adjustable height

To order, select Easy Spring Air from the Control Type option in the Ordering System

Motorised: Rollease Acmeda Range

**Motors Wire-free**

Automate Li-ion Zero 1.1  
Min width 580mm, max weight 5kg

Automate Li-ion Zero 2.0  
Min width 655mm, max weight 9kg

Automate Li-ion 3.0  
Min width 960mm, max weight 12kg

**Motors Hardwired**

Automate E6 (Hardwired with remote)  
Min width 700mm, max weight 17kg

Automae M6 (Hardwired mechanical)  
Min width 580mm, max weight 17kg

**Note:** Weight must not exceed the recommended maximum weight, regardless if width is within capacity.

**Remotes & Extras**

Push 1 Remote

Push 5 Remote

Push 15 Remote

Push Pro Remote



**Motor Programming Guide**

Click here to download the Automate programming guide.

Motorised: Somfy Range

**Motors Wire-free**

Sonesse 30 2NM Li-ion RTS  
Not suitable for double brackets, min blind width, 8-9kg capacity

**Motors RTS**

Sonesse RTS 40mm 3/30 with Molex  
Min blind width 595mm, max weight 15kg

Altus RTS 40mm 3/30 with Molex  
Min blind width 595mm, max weight 15kg

**Motors Non RTS**

LS 40mm 3/30 NON RTS with Molex  
Min blind width 575mm, Max weight 15kg  
Use with Home Automation C - BUS Systems

Sonesse WT 40mm 3/30 NON RTS with Molex  
Min blind width 595mm, Max weight 15kg  
Use with Home Automation C - BUS Systems

**Remotes & Extras**

Situo 1 Channel (Pure)

Situo 5 Channel (Pure)

Smooove RTS Wall Switch (1 Channel, White)

Motor Charger 30 Series AUS (Wire-free only)

Connexoon Window RTS



**Motor Programming Guide**

Click here to download the Somfy programming guide.

## Motorised: Whispertech™ Range

### Motors Wire-free

Whispertech 1.1 Nm (For blinds 550mm - 2200mm wide and up to a 2200mm drop)

Whispertech 2Nm (For blinds greater than 2200mm in width and/or drop)

### Remotes & Extras

Bond Bridge Hub

6 Channel Remote

USB-C Charger with Magnetic USB-C Connector. (A USB-C Connector will be provided for every Whispertech motorised blind. Adaptor not included).

## ROLLER BLIND | MOTORISATION ACCESSORIES

The solar powered charging option will consistently keep the blind batteries charged. This option does not need an electrician for install.

### Charging: Solar Panel 2.0



### Charging: WireFree Solar Pack



The new WireFree™ Solar Pack harnesses renewable solar energy to power WireFree™ motorised window coverings and offers a green alternative by reducing the replacement and disposal of standard batteries.

### Remote: Push 1 Channel



Push 1 Channel remote offers intuitive, user-friendly operation with tactile buttons, perfect for controlling single blinds or multiple blinds at once. Available in sleek gloss white or elegant matte black, it seamlessly complements the existing Push range with its slim, modern design.

### Remote: Push 5 Channel



The Automate Push series fuses luxury and functionality in a well-crafted, minimal design. The 5 channel remote features soft tactile rubber buttons that can control 5 individual or 5 groups of shades, as well as an “All” button that conveniently activates all programmed channels.



Remote: Push 15 Channel



Control 15 individual blinds on separate channels with 5 dedicated grouped channels. Levelling Control activated with a simple double tap to move individual or grouped shades to desired position. P2 and lock programming buttons now accessible via back of remote, without cover removal.

Remote: Push Pro



For the ultimate convenience, the Push Pro elevates your home automation experience with full home control, complete with built-in timer functionality, custom shade naming, and user-friendly configuration.

Remote: Automate RF White 5-Channel



The Automate Paradigm surface mount switch features a contemporary design and a wire-free deployment, making it retrofit-ready for any location. Paradigm 5-channel switches are perfect for all internal motorised blind applications.

Remote: Situo RTS



Control all Radio Technology Somfy® (RTS) products such as draperies, roller/Roman shades, awnings and LED lights with an elegant Situo® RTS control. Sporting a sleek modern look, it's sure to add a touch of elegance to any decor.

Remote: Whispertech



- 6 channels
- 1 group
- Simple to program with the Whispertech 1.1Nm and 2Nm battery-operated motors

Remote: Smoove 1 RTS



The Smoove® 1 RTS surface-mounted wall switch avoids cutting into drywall. This single channel, battery-operated solution is easy to install, and doesn't require an electrician. Compatible with seven decorative color frames (sold separately), users can easily complement any décor.

Automation: Automate Pulse Hub

Smartphone control is only available with the Automate motor + Pulse Hub - additional surcharge applies.



**Set Up Guide**

Click here to download Automate Pulse set up guide.



**Programming iOS**

Click here to download the programming guide for iOS.



**Programming Android**

Click here to download the programming guide for Android.

Automation: Connexoon Windows RTS

The Connexoon Window RTS is an intuitive and smart solution which enables you to control Somfy RTS-enabled motors through a smartphone device.

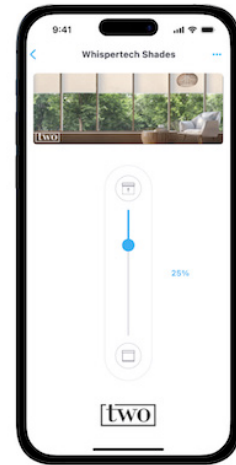
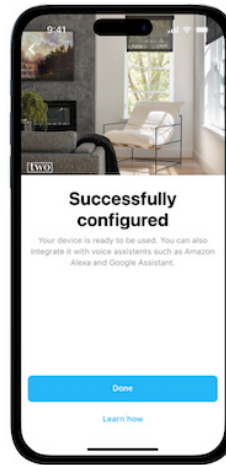
**App Features & Benefits**

- Up to four user profiles per hub
- Individual or group control of window coverings
- Convenient centralised control of up to 30 motors
- Create up to 32 personalised scenes or commands per hub with ambiance replay(8 scenes per individual profile)
- Control your window coverings whether you're home or away through a Wi-Fi or internet connection
- Schedule the opening and closing of your window coverings with timed events
- Schedule up to eight energy saving commands in-line with sunrise and sunset in your location and time zone
- Voice control compatibility with Google Assistant (direct connection) and Amazon Alex (via IFTT).



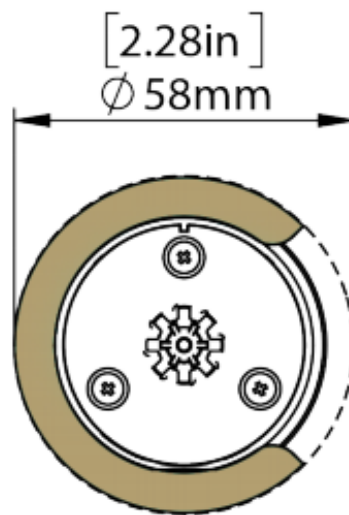
Automation: Bond Bridge Hub

- Facilitates complete automation of your motorised roller blinds.
- Seamlessly integrates with the Whispertech™ motor for enhanced user experience. It is also compatible with Rollease Acmeda motors.



Automate Motor Caps

New Automate Motor Caps for 1.1 and 2.0 Li-ion motors. Comes standard with automate rollers. Available in white.



AUTOMATE MOTOR CAP



Internal Wire Guide

The Internal Wire Guide system allows the blind to be operated and guided by wires, preventing the blind from moving in windy conditions.

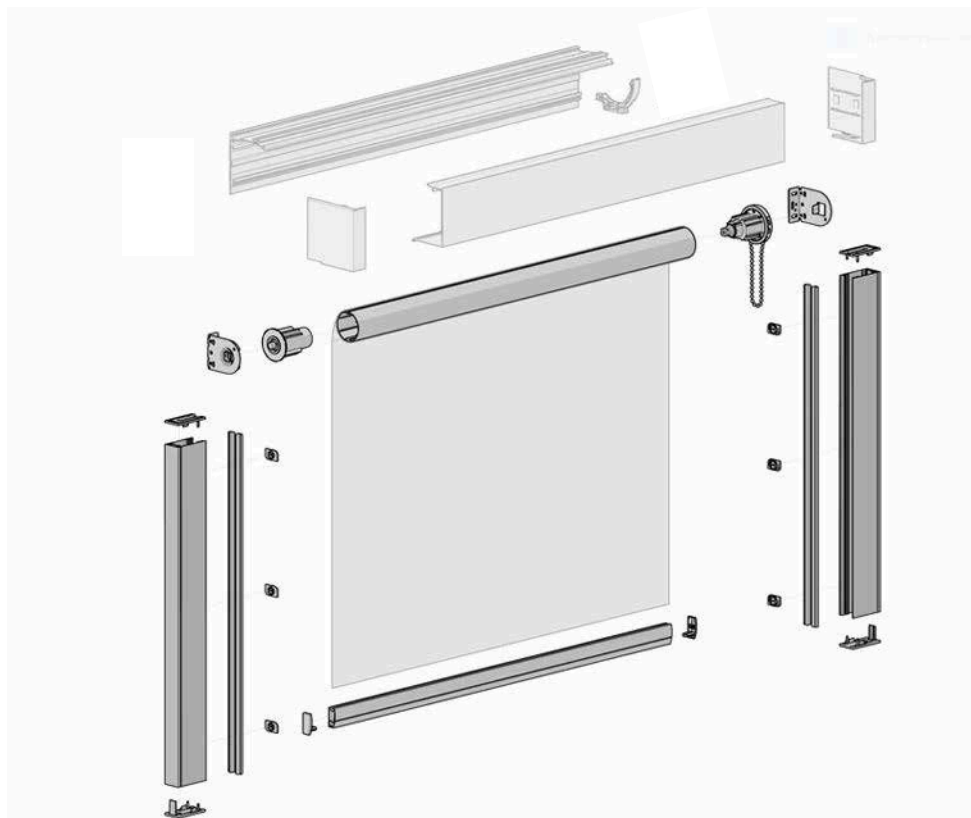
**Item # Description**

- 1 Base 50 Tension Wire Stopp + Adjstr
- 2 Wire Guide Tensioning Cable - 1.2mm
- 3 D30 Bottom Rail
- 4 D30 Bottom Rail WIRE GUIDE End Cap



Side Channels

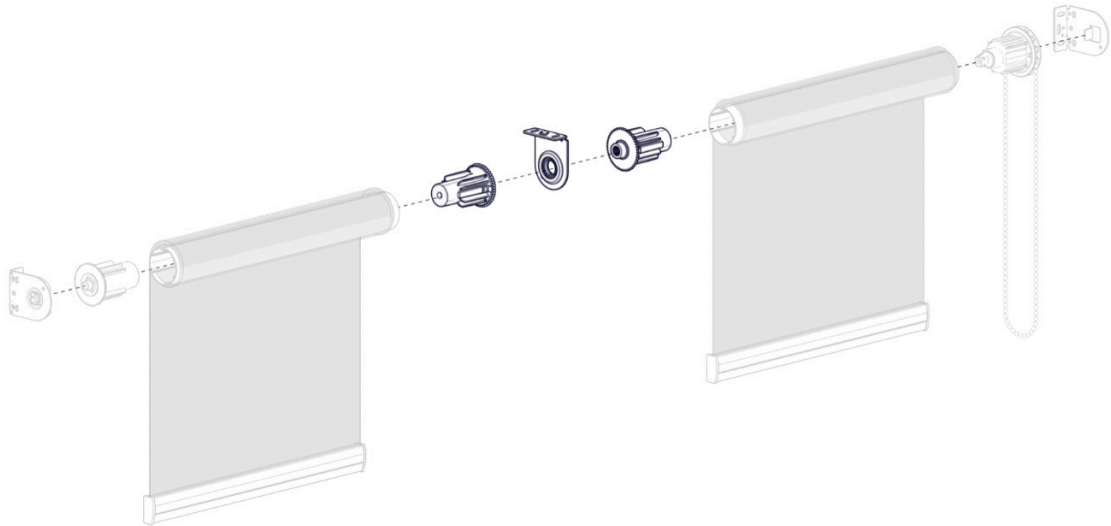
Adaptable side channels for improved energy efficiency and light block out. Available individually, or complete with CF90 Square Cassette for a complete blackout product.



Easy-link Bracket

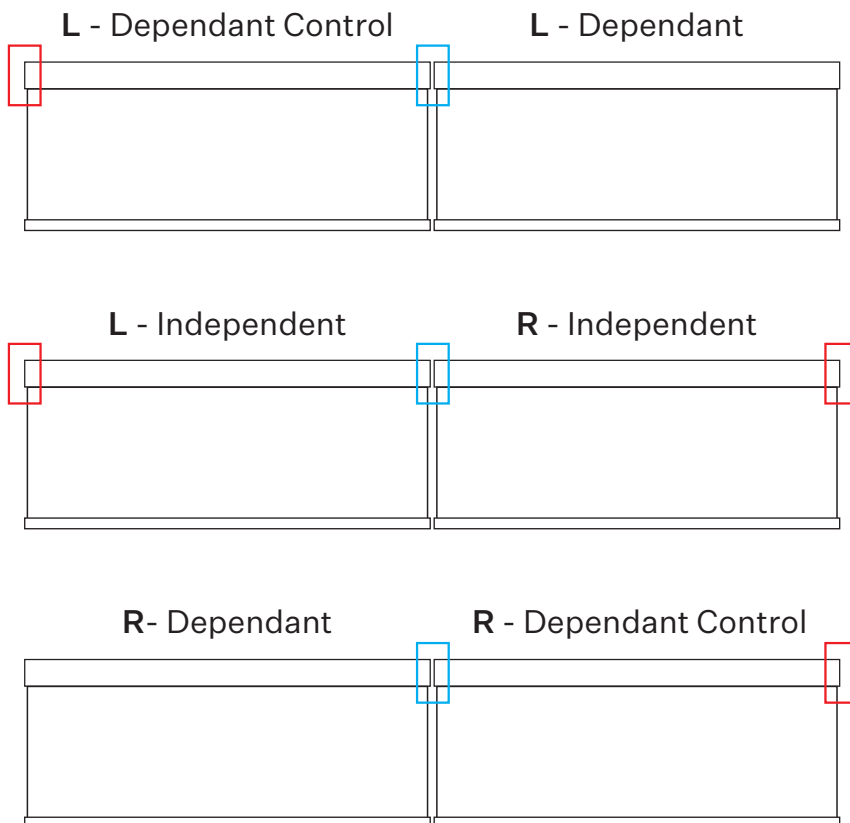


Easy-link brackets allow you to link up to three blinds together, with different configurations to suit Left and/or Right control requirements. The following diagrams show the varying blind configurations available with easy-link.





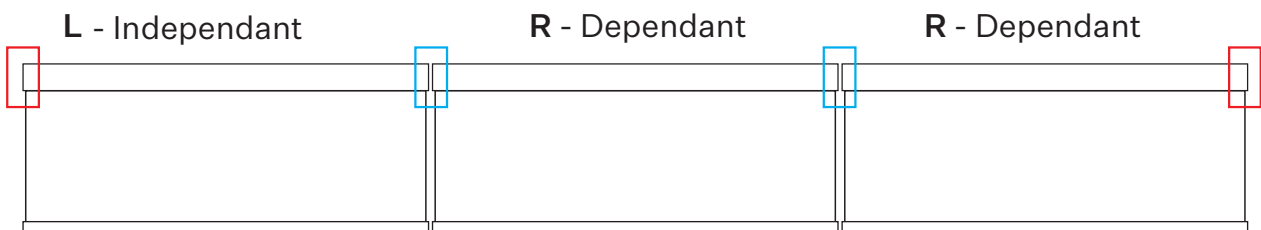
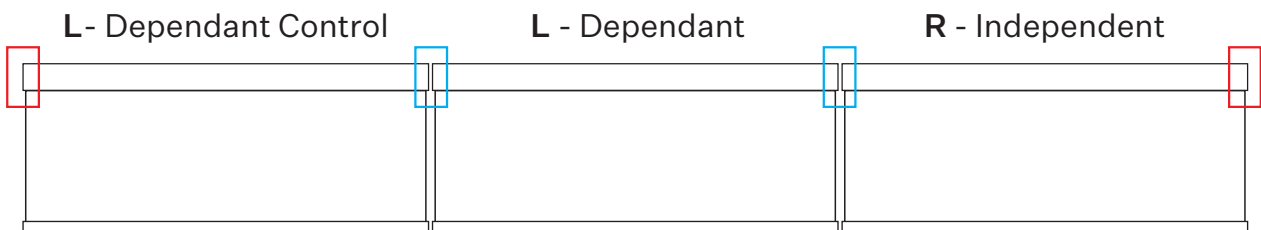
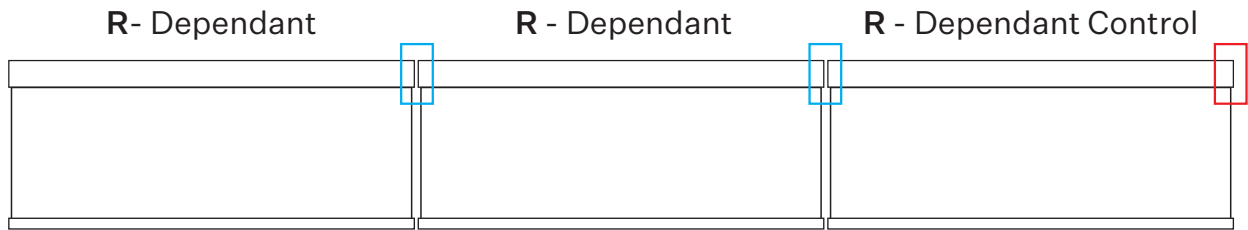
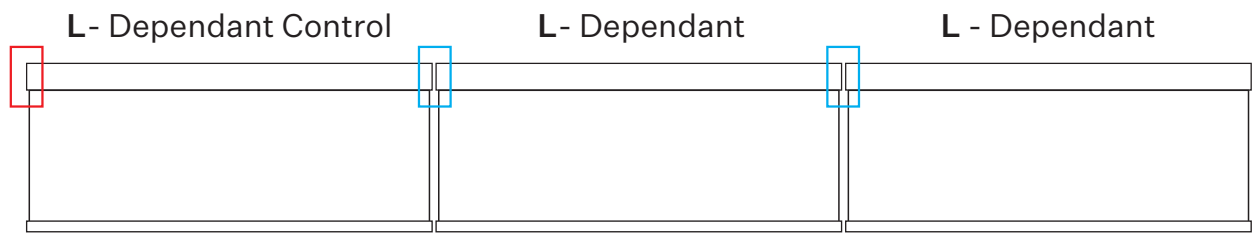
**2 Blind Configuration with Easy-link**

- Control side     - Easy-link



### 3 Blind Configuration with Easy-link

 - Control side  - Easy-link



### How to Order

Easy-link blinds can be ordered under the one item.

To order Easy-linked blinds, select Yes under Easy-link.

Then select the blind configuration.

If there are uneven blind widths, select Yes and then enter your sub-widths from the very first left bracket to the right bracket of each blind. There is no need to enter the 3rd blind sub-width.

To watch a full tutorial video on how to order easy-link blinds, refer to the Product Videos in the Sales & Marketing Centre.

**Order Items**

No. 1: SQM: Values are out of limits: Height min: 200 max: 3000

Product Range: - all -  
 Product: CV Roller Blind  
 Location:  
 Mount: - select here -  
 Width: 3000  
 Height:

Dual Blind: No  
 Fabric: - select here -  
 Fabric Colour: - select here -  
 Roll Direction: Back

Control Type: - select here -  
 Base Rail Type: D30  
 Base Rail Colour: - select here -

Installation Extras  
 Notes

Easy Link: Yes  
 Blind Configuration: LLR - 3  
 Uneven Blind Widths: Yes  
 Sub Widths: 800, 1500  
 Decorative Cover: None

**Total SQM per Product**  
 No. Product SQM  
 Promo Code

## Spring Assist

The Spring Assist helps with the operation of larger roller blinds when they are chain operated. As a guide, blinds over 4m<sup>2</sup> should be ordered with a Spring Assist. This is a surcharge item and will not be applied automatically. The minimum width for a Spring Assist is 830mm.





**Head Office & Factory**  
347 Macdonnell Road  
Clontarf QLD 4019

**Phone** 1300 183 910  
**Email** [orders@two-australia.com](mailto:orders@two-australia.com)  
**Web** [www.two-australia.com](http://www.two-australia.com)

