

V300924



# POLY PRODUCT & ORDERING GUIDE



## TWO GUIDELINES

Orders that are released to TWO are processed in the most timely manner possible. As such, any changes made to an order once it is released to TWO cannot be guaranteed to be applied if the order is already in production. Initial costs, cancellations or any change costs will be the responsibility of the dealer to cover.

All drawings, notes and emails with questions must be answered before an order is entered in to the production line. Delays in the timely processing of these by customers will lead to longer lead times.

All factory/freight repairs are to have photographic/video proof. If neither are available at the time of placing the repair, it will be processed as a dealer responsibility. TWO will credit back the cost of the repair once proof of factory/freight responsibility is given.

For special request/non-standard/limited availability items please check first with Head Office for availability. Any surcharges for these items will be the responsibility of the dealer to cover, even if it is not listed on the price list.

PDF Estimates generated from the system may not reflect final pricing. If all items are not selected in the order form, or details are added to the notes section that may alter the price.

All dealers are responsible for having the most current price lists and product manuals. If unsure please contact your sales representative to confirm.

# COLOUR OPTIONS

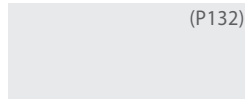
## PAINTED COLOURS:

The following 8 colours, are TWO's new standard painted colour range, available to order from the 14 December 2023. Contact your Account Manager to order fandeck swatching.



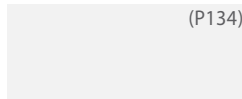
(P131)

Colour inspired by  
Dulux Vivid White™



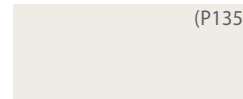
(P132)

Colour inspired by  
Dulux Lexicon®



(P134)

Colour inspired  
by Dulux Lexicon®  
Quarter



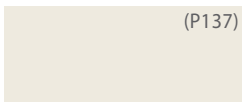
(P135)

Colour inspired  
by Dulux Natural  
White™



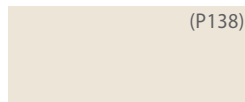
(P136)

Colour inspired by  
Dulux White on  
White™



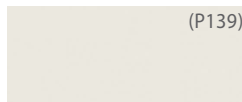
(P137)

Colour inspired  
by Dulux Antique  
White U.S.A.®



(P138)

Colour inspired by  
Dulux Hog Bristle®  
Quarter

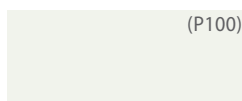


(P139)

Colour inspired  
by Dulux Whisper  
White

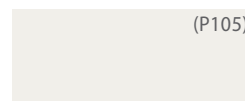
## OLD PAINTED COLOURS

The old painted colour range will be available until further notice.



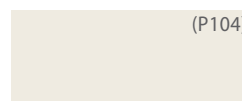
(P100)

White



(P105)

Silk White



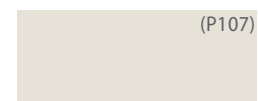
(P104)

Shell



(P103)

Ivory



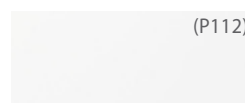
(P107)

Alabaster



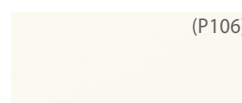
(P113)

Whisper White



(P112)

Antique White



(P106)

Pearl



(P108)

Dove



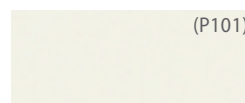
(P102)

Sandy Day



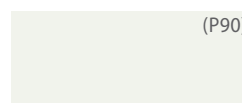
(P109)

Grey



(P101)

Clotted Cream



(P90)

TWO White

Please ensure that you have the most up to date swatching as colors may vary between supplied decks. Contact your sales representative to order new swatching if needed.

# COLOUR OPTIONS

## CUSTOM COLOURS:

Choose from the Dulux World of Colour Series II fan deck.

**IMPORTANT NOTE:** Custom colours are matched to the Dulux World of Colour fan deck. If you are unsure if the requested colour is from this deck it is best to supply a sample that will be sent to our factory for colour matching.

**CUSTOM BLACK COLOURS:** We no longer accept custom black colour orders for Highprofile Poly PVC shutters.

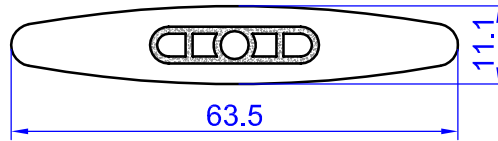
As black colours absorb more heat, the shutter is more likely to losing structural integrity when exposed to prolonged UV rays.

As an alternative, we recommend selling Highprofile Avenir interior aluminium shutters. They are available in a matt powder-coat Night Sky (Colour code M106) or custom colours.

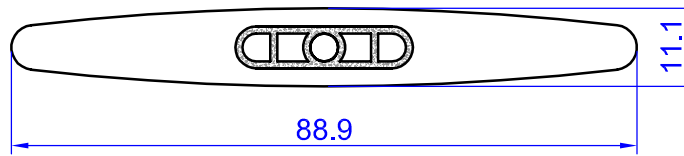


# BLADE SIZES

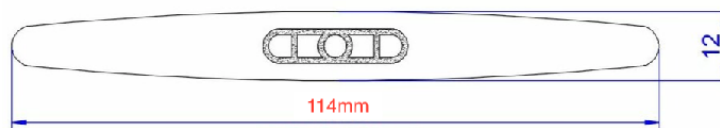
P3001



P3002



P3003 A



P3002

# HINGE COLOURS

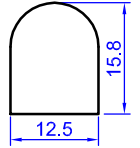
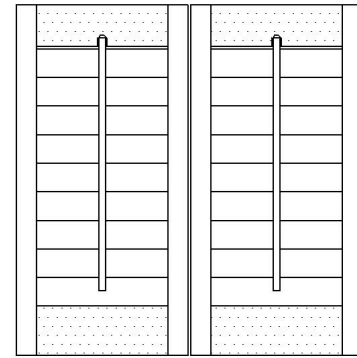
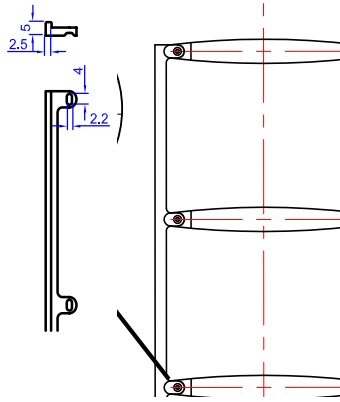
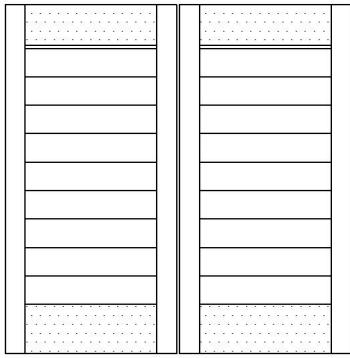
## New Colours

Panel Colour	Hinge Colour
Dulux Vivid White	White
Dulux Lexicon	White
Dulux Lexicon Quarter	White
Dulux Natural White	White
Dulux Antique White USA	Ivory
Dulux Hog Bristle Quarter	Ivory
Dulux Whisper White	Ivory

## Old Colours

Panel Colour	Hinge Colour
Alabaster	Ivory
Antique White	White
Clotted Cream	Ivory
Dove	Ivory
Grey	Stainless Steel
Ivory	Ivory
Pearl	Ivory
Sandy Day	Stainless Steel
Shell	White
Silk White	White
Whisper White	White
White	White

# TILT RODS



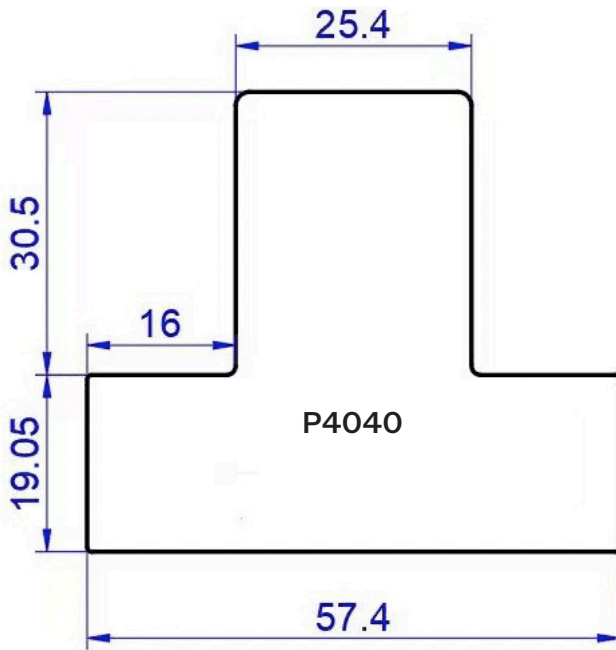
## CLEARVIEW

Best option for an uninterrupted view.  
Default Position: Rear of panel on hinged side.

## TRADITIONAL CENTER

The classic timber tilt rod.  
Default Position: Front of panel

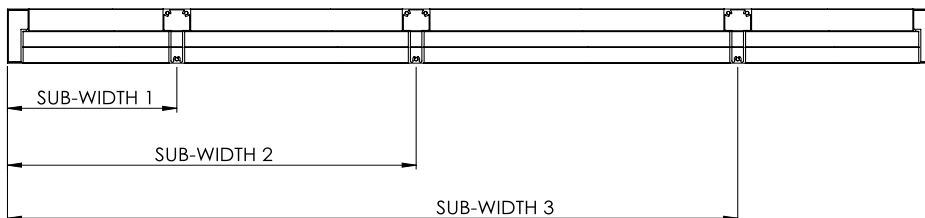
# T-POST



Available for all Poly frames.

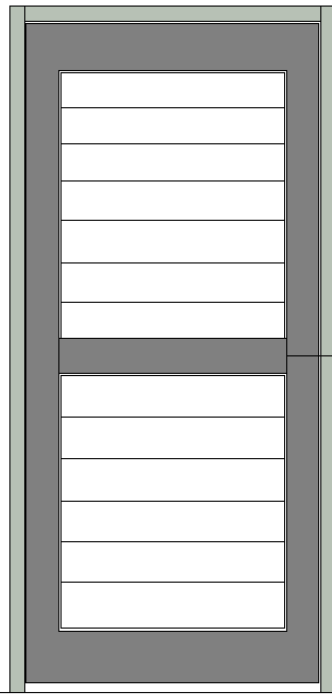
Note: Max length of posts is 3000mm. For lengths requested longer, they will be supplied cut in half by default.

# UNEVEN PANEL WIDTHS



# MID-RAIL

## HOW TO MEASURE:



### AVAILABLE SIZE:

83mm x 20mm (P2020)

Max Top & Bottom Rail Size: 116 mm

Min. Top & Bottom Rail Size: 70 mm

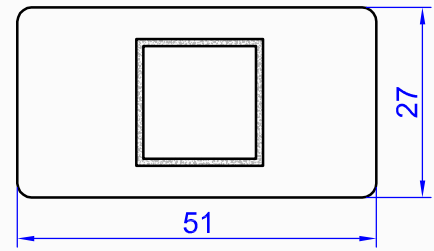
Mid-rail:  
Measure from bottom  
of opening to centerpoint  
of required mid-rail.

Midrail placement is within + or -  
one blade size. If position is critical,  
please select 'Critical Midrail'  
option in special instructions.

You can now select a mid rail location that is critical within 20mm up or down. This will allow the factory to automatically adjust the mid rail if necessary (within 20mm +/-), to ensure the top and bottom rails are within workable limits.

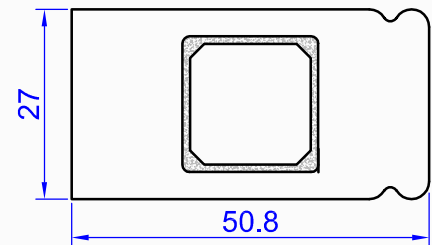
By selecting a critical mid rail position allowing for a 20mm +/- adjustment, means the factory will not need to ask for approval from you, and you will not need to request a drawing, speeding up the order process.

# STILE



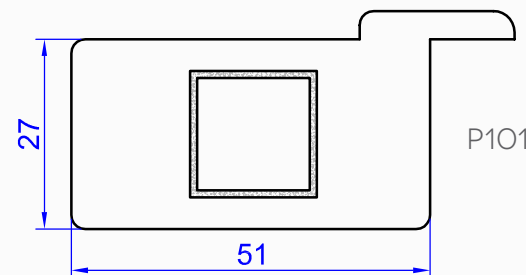
P1021

51MM FLAT STILE



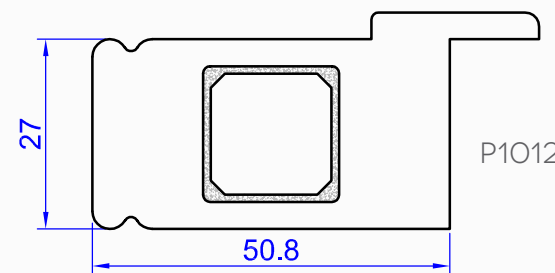
P1013

51MM BEADED STILE



P1010

51MM FLAT STILE WITH D-MOULD

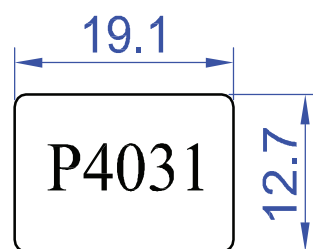
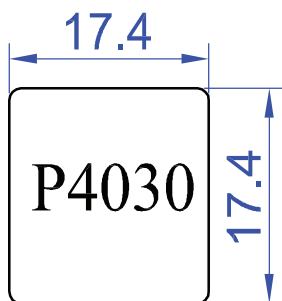


P1012

51MM BEADED STILE WITH D-MOULD

# PVC PACKERS

Max length of packers is 3000mm. For lengths requested longer, they will be supplied cut in half by default.





# INSTALLATION METHOD: HINGED OPTIONS



## BEFORE YOU ORDER

### MINIMUM REVEAL DEPTHS\*

\*Be sure to always measure from the most protruding object in the reveal.

	64mm Blade	89mm Blade
	Clearview	Clearview
L Frame	54	67
Z Frame	39	52

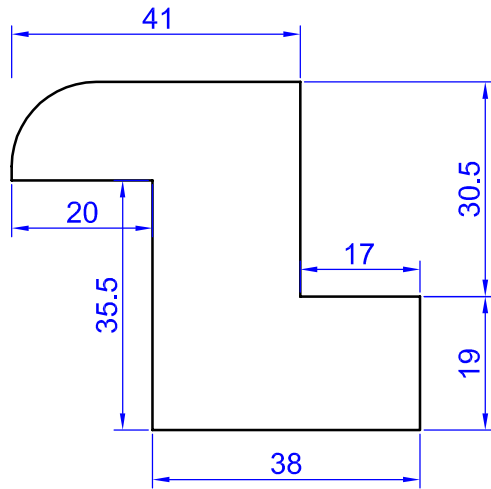
### LIMITATIONS

Installation Method	Width			Height			Panel Breaks		
	Min	Max	Max Non Warranty	Min	Max	Max Non Warranty	Mid-Rail(s) Required	Approximate Split Rotation by Blade Size	
								64	89
Hinged in L or Z Frame	250	900	950	400	2700	N/A	1800	1100	1300
Double Hinged	250	400	450	400	2700	N/A	1800	1100	1300
Note: The factory will automatically split the tilt if ordered sizes exceed factory standards					Max No. of Blades Per Tilt Rod			15	11

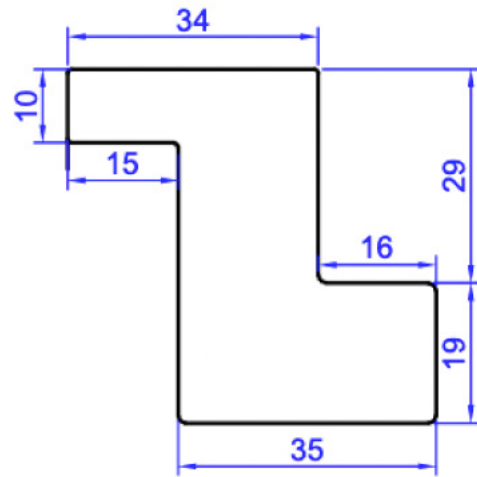


# INSTALLATION METHOD: HINGED

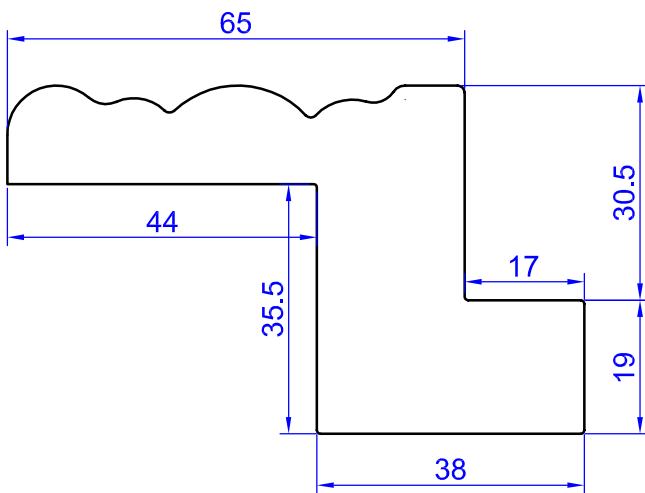
HINGED: Z FRAME  
STANDARD Z (P4022)



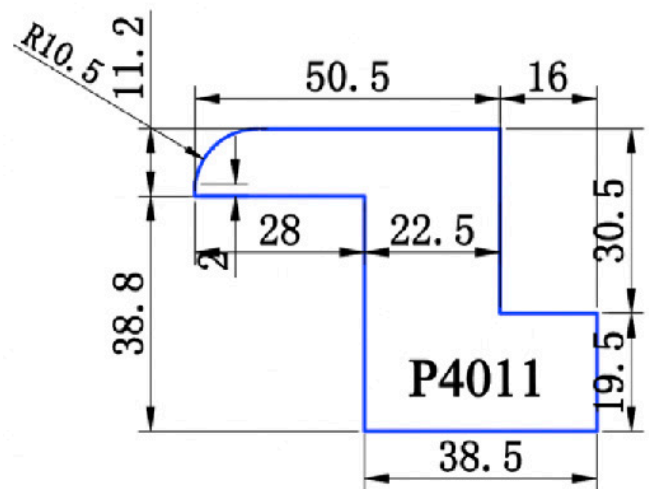
HINGED: Z FRAME  
FLAT Z (P4023)



HINGED: Z FRAME  
DECO Z (P4008)



HINGED: Z FRAME  
LARGE LIP (P4011)

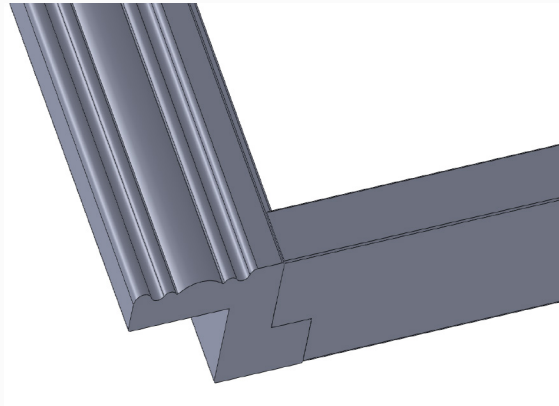
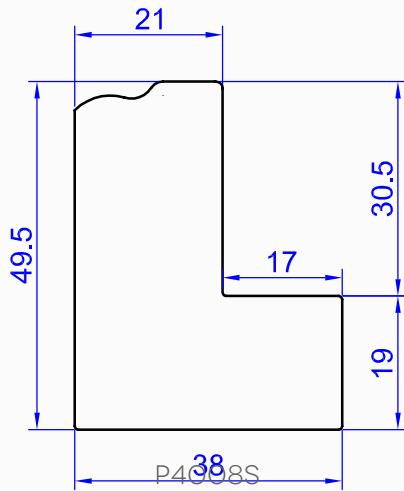


Note - Only poly frames are available with this product range, no timber frames.  
Max length of frames is 3000mm. For lengths requested longer, they will be supplied cut in half by default.

# INSTALLATION METHOD: HINGED

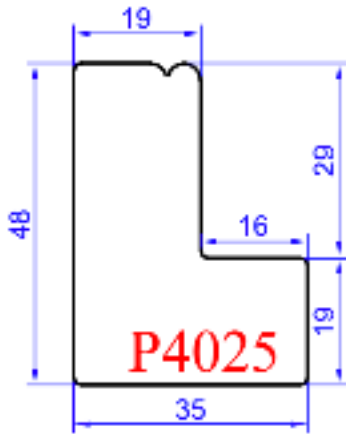
## OPTION: SILL PLATES

A Sill Plate is simply an L Frame used for one or more sides of the frame, where a Z frame will not fit. For example: a window with a Sill, cannot use a Z frame on the sill side, so a Sill Plate is used. To order, choose Sill Plate in Frame Options drop down field.

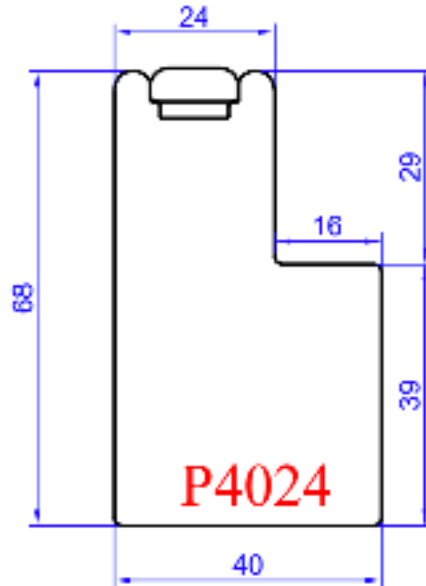


# INSTALLATION METHOD: HINGED

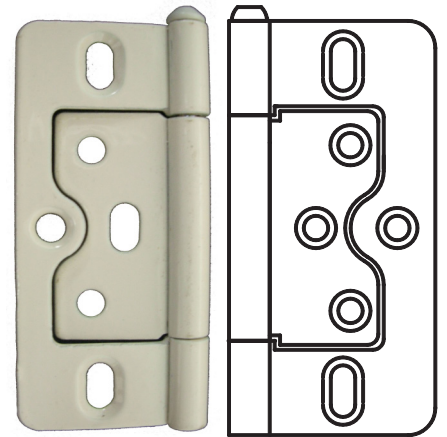
HINGED: L FRAME  
BEADED L 48MM (P4025)



HINGED: L FRAME  
INSERT L 68MM (P4024)



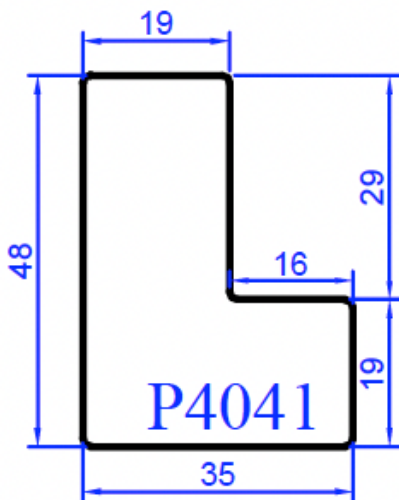
HINGED: NO FRAME  
NON-MORTISE HINGE



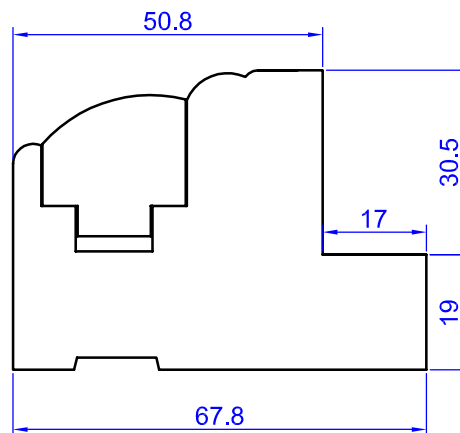
Disclaimer: Please be aware that the Beaded L 47mm Frame does not have sufficient frame depth if used with the 89mm blade when fitted flush with the wall for blade rotation.

Hinge Colour	Code
White	HB100
Ivory	HB103
Stainless Steel	HB201
Black	HB207

HINGED: L FRAME  
FLAT L 48MM (P4041)



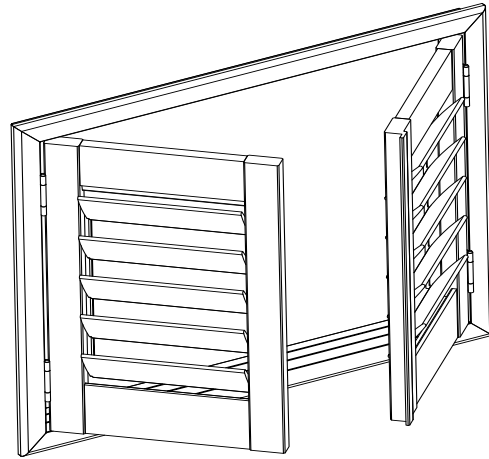
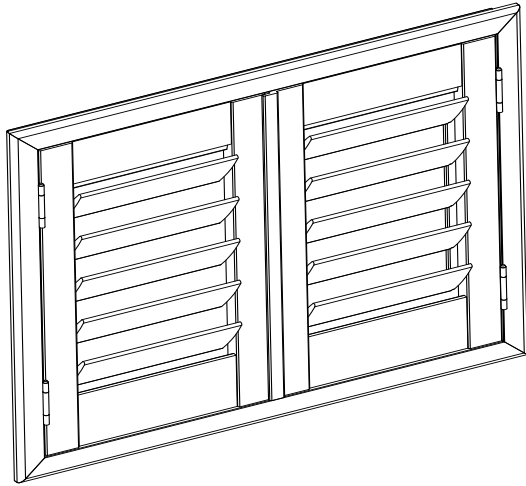
HINGED: FACE FIT  
DECO (P4002)



BI-FOLD HINGE  
Stainless Steel



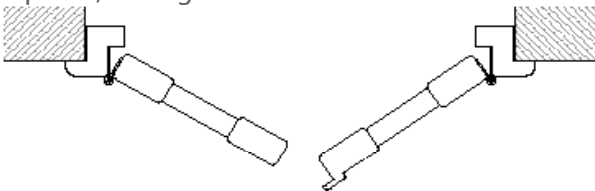
# AVAILABLE PANEL CONFIGURATIONS: HINGED IN L OR Z FRAME



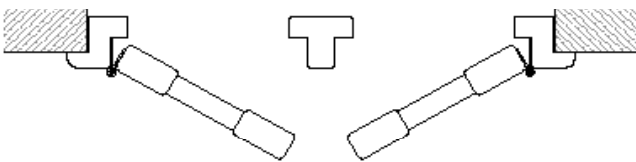
1 panel, Configuration code: L or R



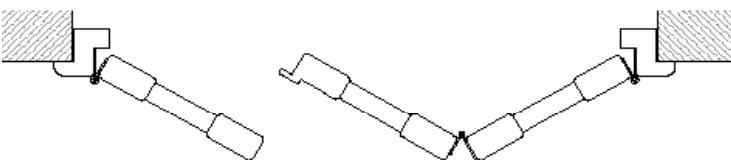
2 panel, Configuration code: L-DR or LD-R



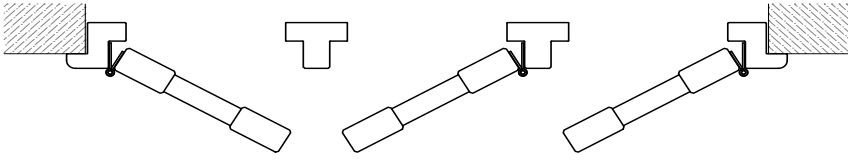
2 panel with T Post, Configuration code: LTR



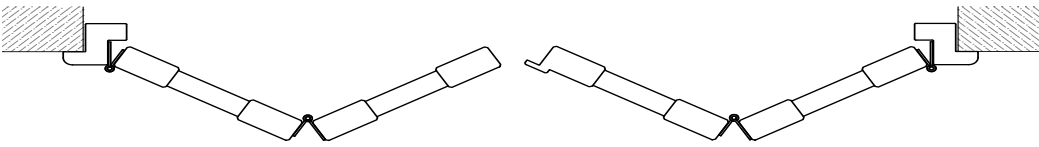
3 panel, Configuration code: L-DRR or LLD-R



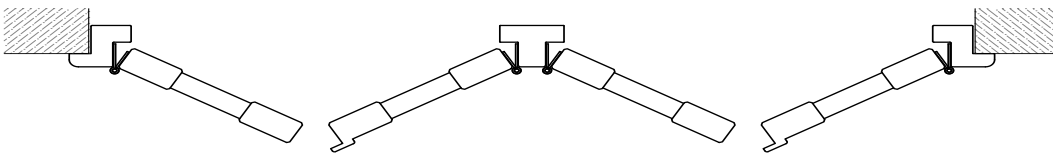
3 panel with T post, Configuration code: LTRTR or LTLTR



4 panel, Configuration code: LL-DRR or LLD-RR



4 panel with T post, Configuration code: L-DRTL-DR or LRTLTR

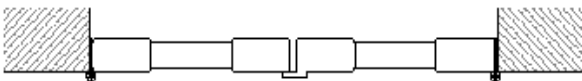


## AVAILABLE PANEL CONFIGURATIONS: HINGED NO FRAME

1 panel Configuration code: L or R



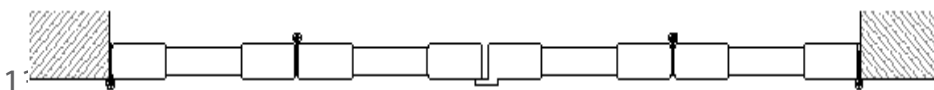
2 panel, Configuration code: L-DR or LD-R



3 panel, Configuration code: LL-DR or LD-RR

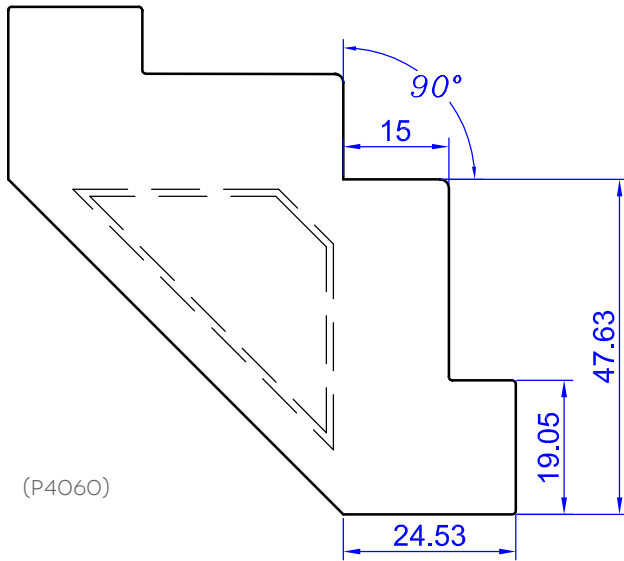


4 panel, Configuration code: LL-DRR or LLD-RR

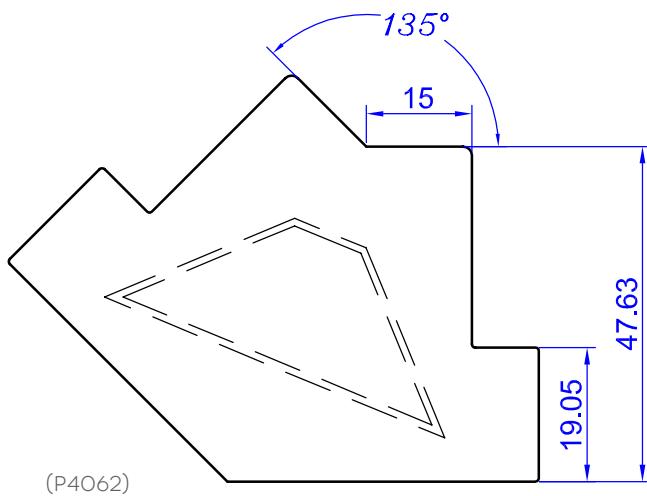


# HINGED SHUTTERS IN BAY OR CORNER WINDOW: AVAILABLE IN HINGED L OR Z FRAMES

## CORNER POST



## BAY POST



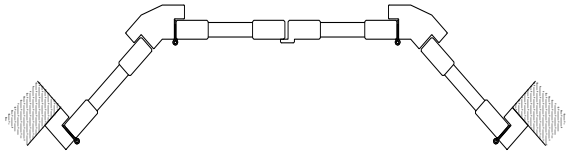
Follow instructions for Hinged in L Frame or Hinged in Z Frame

Make sure Corner Angle is 90 degrees

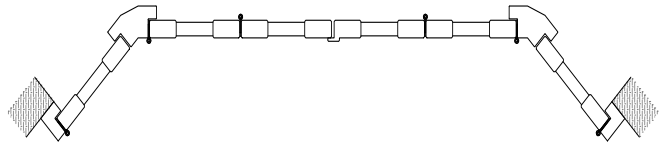
Make sure Bay Angle is 135 degrees

# PANEL CONFIGURATION EXAMPLES

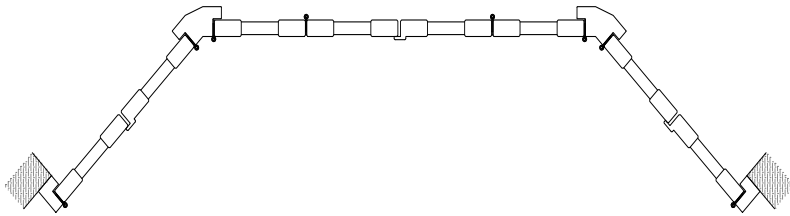
4 panel, Configuration code: LBL-DRBR



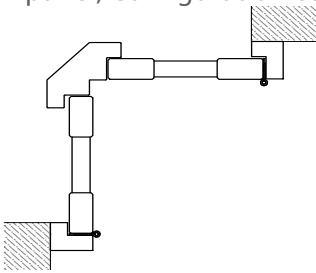
6 panel, Configuration code: LBLL-DRRBR



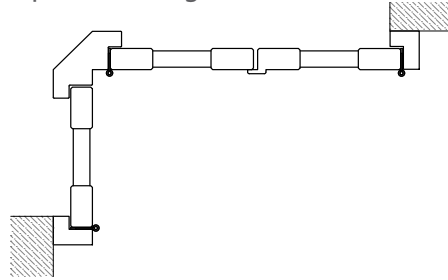
8 panel, Configuration code: L-DRBLL-DRRBL-DR



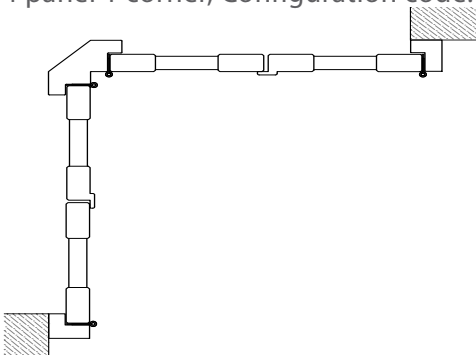
2 panel, Configuration code: LCR



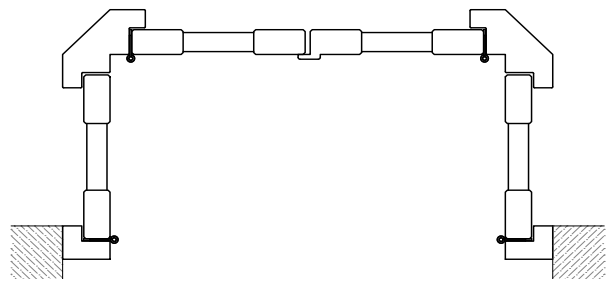
3 panel, Configuration code: LCL-DR or LD-RCR



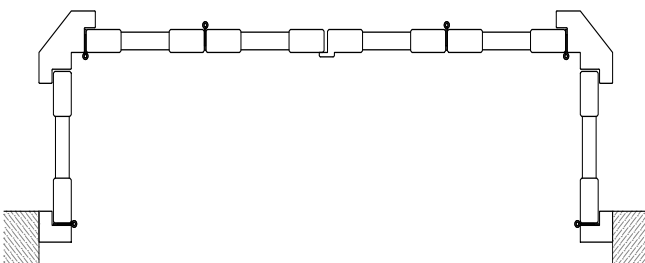
4 panel 1 corner, Configuration code: LD-RCL-DR



4 panel 2 corners, Configuration code: LCL-DRCR



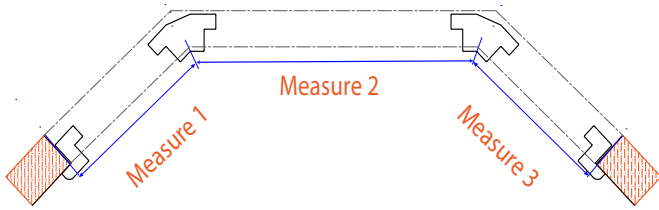
6 panel 2 corner, Configuration code: LD-RCL-DRCL-DR or LCLL-DRRCR



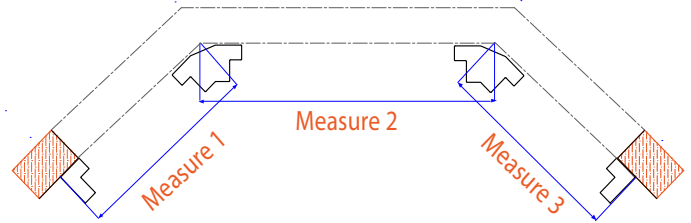


# HOW TO MEASURE

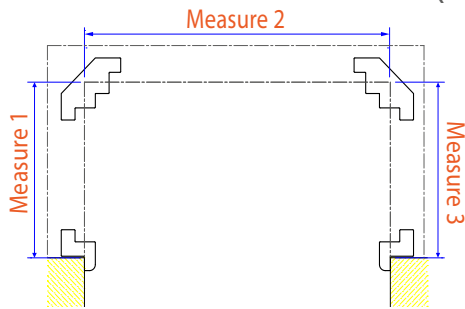
Bay Window: Inside Mount (L or Z)



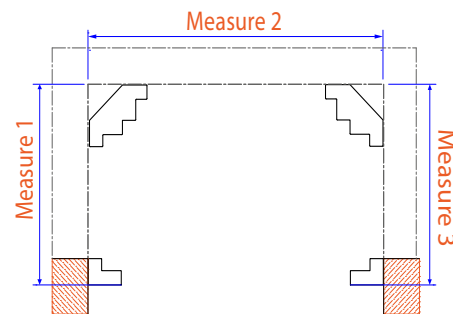
Bay Window: Outside Mount (L Only)



Corner Window: Inside Mount (L or Z)

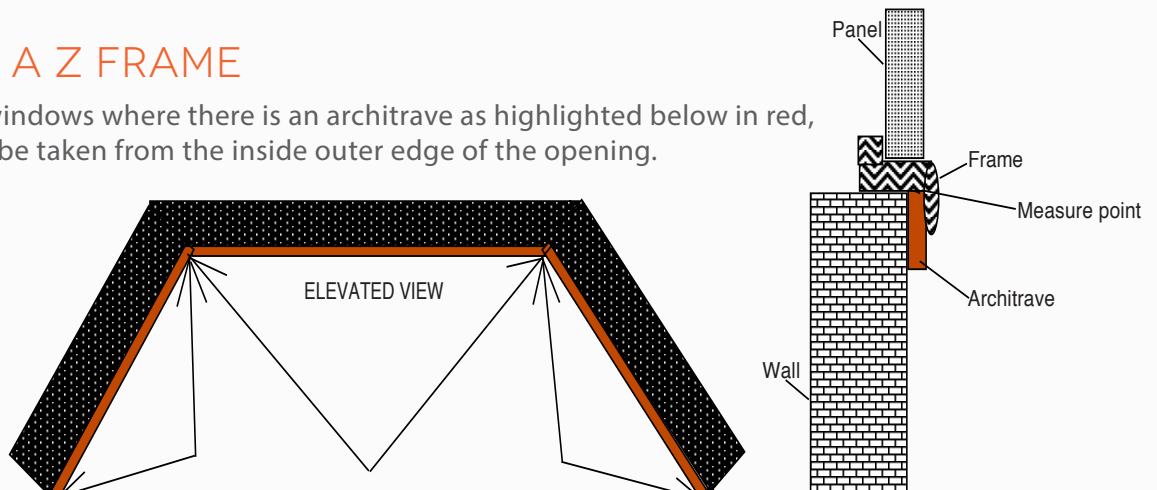


Corner Window: Outside Mount (L Only)



## QUIRKS: USING A Z FRAME

In both Bay and Corner windows where there is an architrave as highlighted below in red, the measurements must be taken from the inside outer edge of the opening.



**IMPORTANT NOTE:** When placing your order online always work from left to right of the opening.

Sub-Width 1 = Measure 1. Sub-Width 2 = Measure 1 + Measure 2

Measure 3 is the total width i.e Measure 1 + Measure 2 + Measure 3

# INSTALLATION METHOD: FIXED

USED WHEN SHUTTERS ARE REQUIRED TO BE FIXED IN POSITION. REVEAL MOUNT ONLY



## BEFORE YOU ORDER

### MINIMUM REVEAL DEPTHS\*

\*Be sure to always measure from the most protruding object in the reveal.

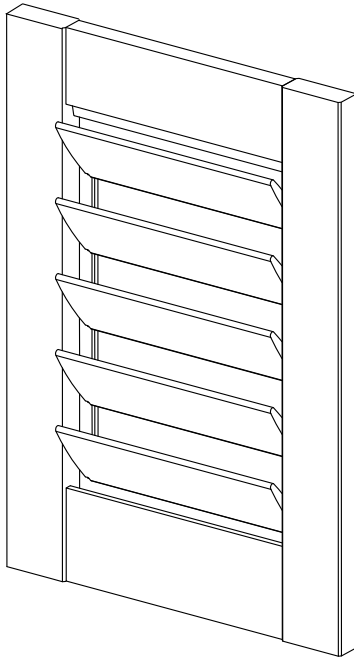
	64mm Blade	89mm Blade
	Clearview	Clearview
Fixed	54	67

### LIMITATIONS

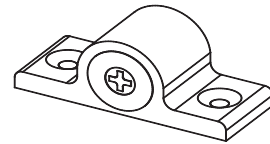
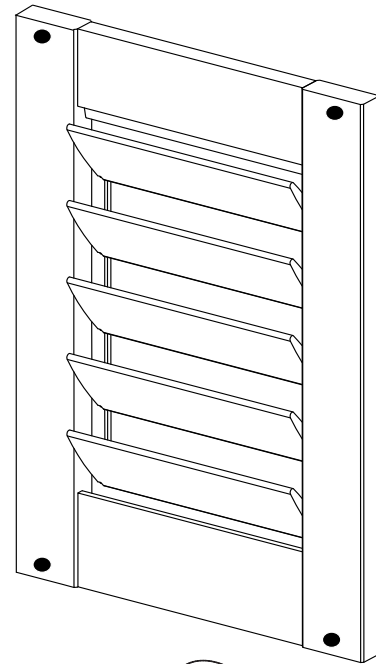
Installation Method	Width			Height			Panel Breaks		
	Min	Max	Max Non Warranty	Min	Max	Max Non Warranty	Mid-Rail(s) Required	Approximate Split Rotation by Blade Size	
								64	89
Fixed	250	900	950	400	2700	N/A	1800	1100	1300
Note: The factory will automatically split the tilt if ordered sizes exceed factory standards					Max No. of Blades Per Tilt Rod			15	11

# AVAILABLE FIXED OPTIONS

FIXED WITH BEADING  
BLADES OPERATIONAL



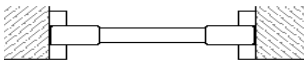
FIXED WITH BULLET MAGNETS  
PANEL ABLE TO BE REMOVED



Disclaimer: Please be advised Fixed with Beading is not advised for wet areas as the timber may warp with time.

## PANEL CONFIGURATIONS

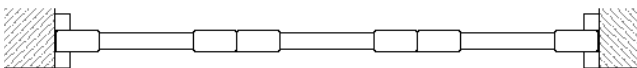
1 panel Configuration code: F



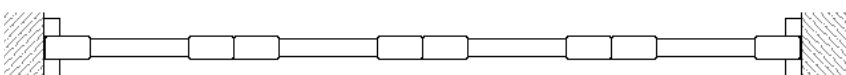
2 panel, Configuration code: FF



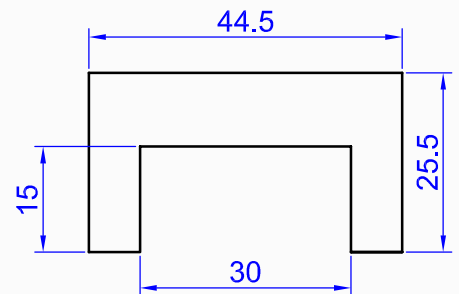
3 panel, Configuration code: FFF



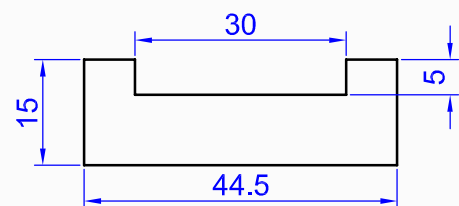
4 panel, Configuration code: FFFF



## CHANNELS



TOP CHANNEL (P4050)



BOTTOM CHANNEL (P4051)

# INSTALLATION METHOD: MULTI-FOLD

USED TO COMPLETELY FOLD SHUTTERS AWAY FROM OPENING WHEN AN UNOBSTRUCTED VIEW IS REQUIRED. REVEAL AND FACE MOUNT APPLICATIONS



## BEFORE YOU ORDER

### MINIMUM REVEAL DEPTHS\*

\*Be sure to always measure from the most protruding object in the reveal.

	64mm Blade	89mm Blade
	Clearview	Clearview
Multi-Fold	100	100

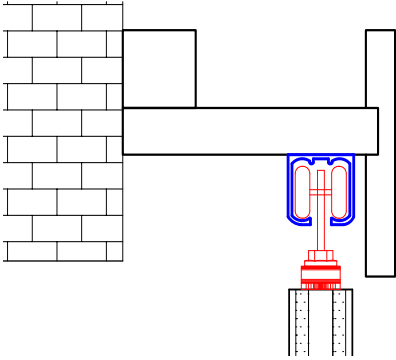
The maximum length of any pelmet, sideboard or bottom board is 3600 mm. For lengths requested longer, they will be supplied cut in half by default.

### LIMITATIONS

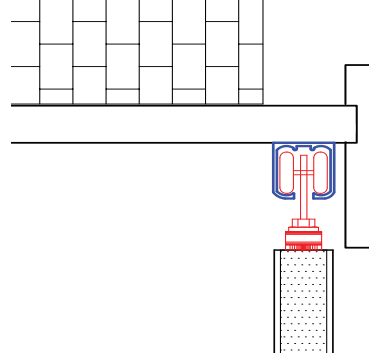
Installation Method	Width			Height			Panel Breaks		
	Min	Max	Max Non Warranty	Min	Max	Max Non Warranty	Mid-Rail(s) Required	Approximate Split Rotation by Blade Size	
								64	89
Multi-Fold	250	550	600	400	2700	N/A	1800	1100	1300
Note: The factory will automatically split the tilt if ordered sizes exceed factory standards					Max No. of Blades Per Tilt Rod			15	11

## AVAILABLE MOUNTS

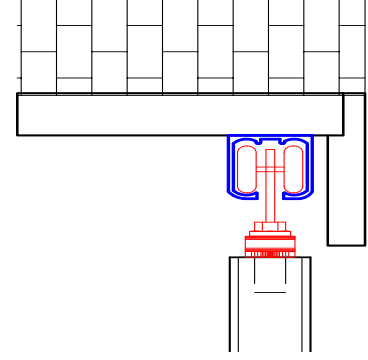
FACE MOUNT  
FASCIA DEPTH = 95MM



SEMI-REVEAL  
FASCIA DEPTH = 95MM

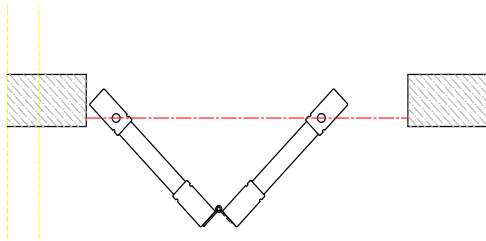


REVEAL MOUNT  
FASCIA DEPTH = 65MM

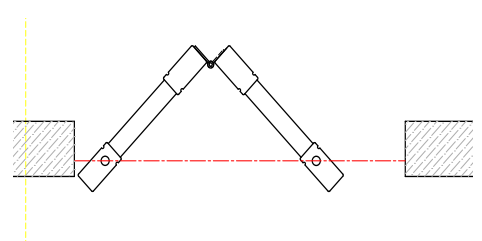


## AVAILABLE FOLD PATTERNS

STANDARD FOLD  
SHUTTERS FOLD INTO  
THE ROOM



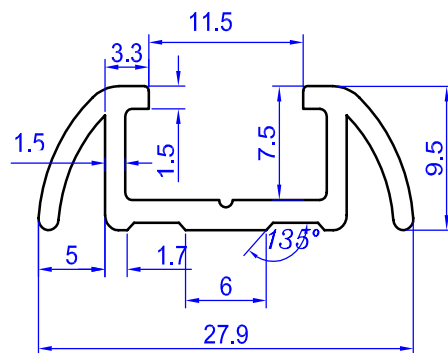
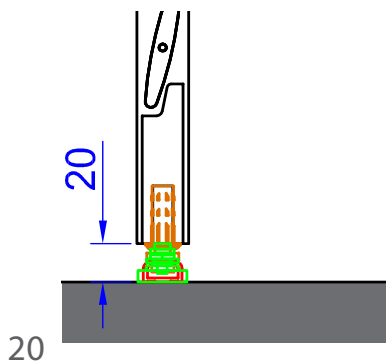
REVERSE FOLD  
SHUTTERS FOLD AWAY FROM  
THE ROOM



## BOTTOM TRACK OPTIONS

SURFACE MOUNT  
BOTTOM TRACK WITH  
NO BOTTOMBOARD

NO BOTTOM TRACK  
TWO STRONGLY ADVISES AGAINST  
THIS OPTION. THIS WOULD BE A  
NON-WARRANTY ITEM.



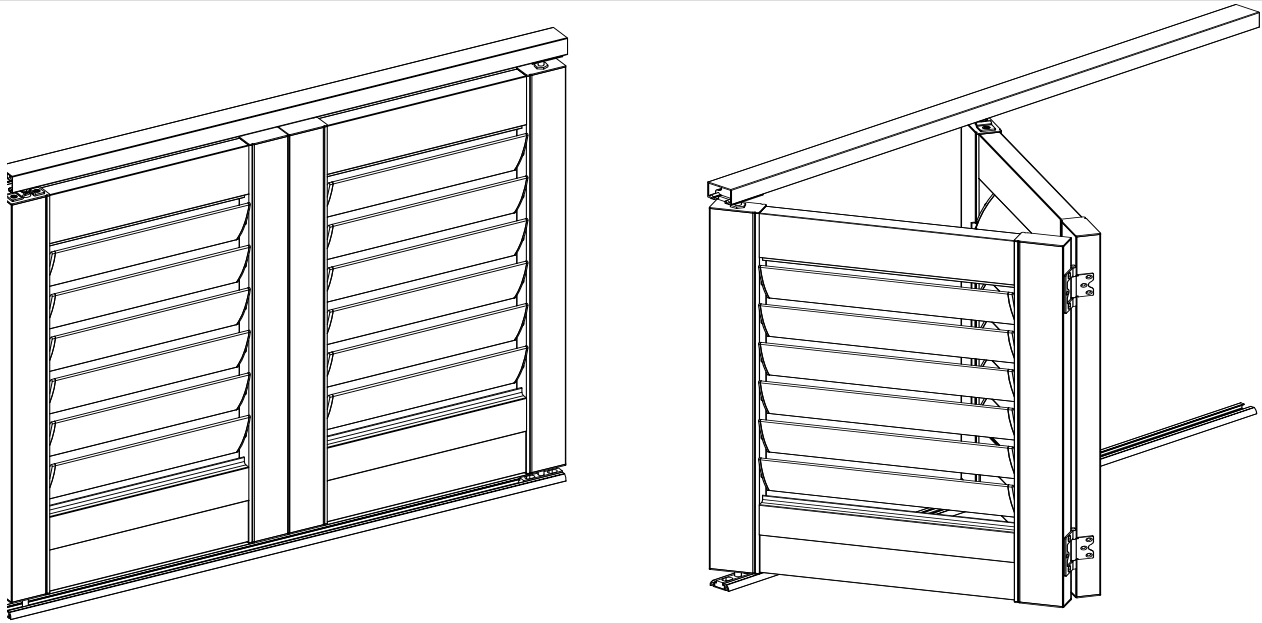
## SIDEBOARDS

SIDEBOARDS ARE MANDATORY FOR BOTH SLIDING AND MULTI-FOLD INSTALLATION METHODS. ORDERS PLACED WITHOUT SIDEBOARDS WILL BE A NON-WARRANTY ITEM.

ALL PELMETS AND SIDEBOARDS WILL BE SUPPLIED IN MDF.



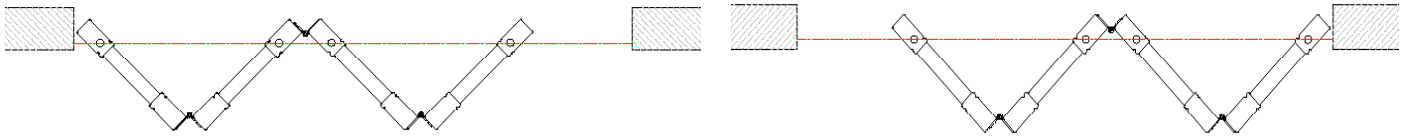
# AVAILABLE PANEL CONFIGURATIONS



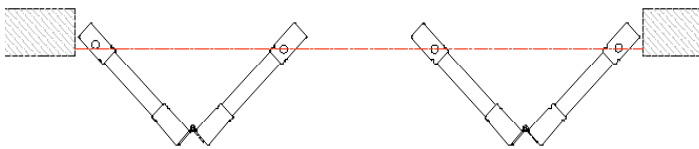
2 panel, Configuration code: LL or RR



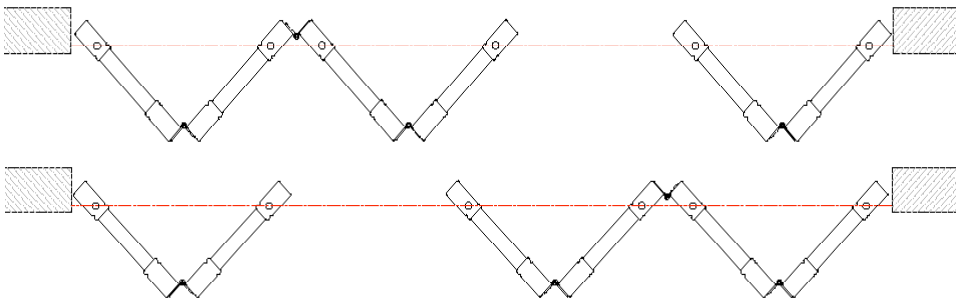
4 panels one way, Configuration code: LLLL or RRRR



4 panels centre open, Configuration code: LLRR



6 panels centre open, Configuration code: LLRRRR or LLLLRR



Warranty Note: The maximum number of panels folding in one direction is four.

Panel configurations are to be an even numbers and move in pairs. This ensures that each panel is able to be secured in the opening.

# INSTALLATION METHOD: SLIDING

USED MOST COMMONLY TO COVER SLIDING DOORS. REVEAL AND FACE MOUNT APPLICATIONS.



## BEFORE YOU ORDER

### MINIMUM REVEAL DEPTHS\*

\*Be sure to always measure from the most protruding object in the reveal.

	64mm Blade	89mm Blade
	Clearview	Clearview
2 Track Slider - Blades Closed	180	180
2 Track Slider - Blades Open	180	220

The maximum length of any pelmet, sideboard or bottom board is 3600 mm. For lengths requested longer, they will be supplied cut in half by default.

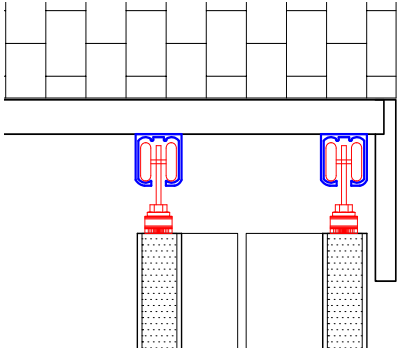
### LIMITATIONS

Installation Method	Width			Height			Panel Breaks		
	Min	Max	Max Non Warranty	Min	Max	Max Non Warranty	Mid-Rail(s) Required	Approximate Split Rotation by Blade Size	
								64	89
Sliding	250	900	950	400	2700	N/A	1800	1100	1300
Note: The factory will automatically split the tilt if ordered sizes exceed factory standards					Max No. of Blades Per Tilt Rod			15	11

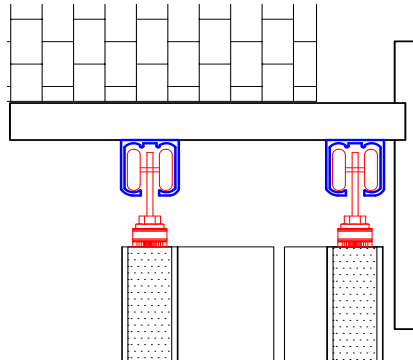


# AVAILABLE MOUNTS

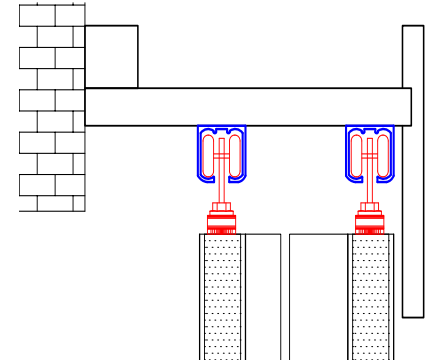
**REVEAL**  
FASCIA DEPTH = 95MM



**SEMI-REVEAL**  
FASCIA DEPTH = 140MM



**FACE**  
FASCIA DEPTH = 140MM



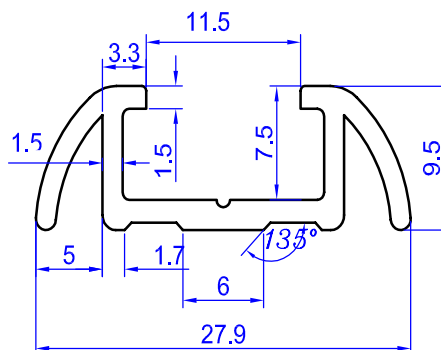
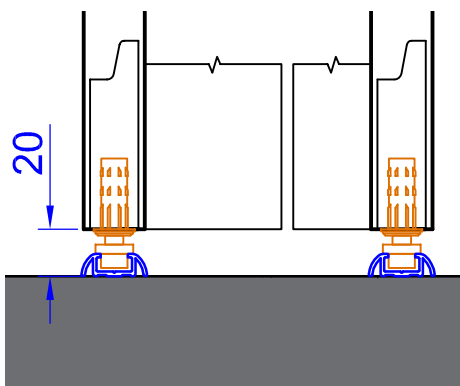
Reveal Mount: Pelmet is fixed into the opening and the headboard is screwed up into the opening. The fascia will sit flush with the front of the opening and will not have returns.

Semi-Reveal Mount: Pelmet is fixed half in the opening and half out of the opening and the headboard is screwed up into the opening. A face mount and returns are supplied. The reveals will stop short of the width of the pelmet and hit the face of the opening.

Face Mount: Pelmet is fixed on to the outside of the opening, normally above the architrave. The headboard is attached using a 30x30 cleat. Fascia and full length returns are supplied.

## BOTTOM TRACK OPTIONS

**SURFACE MOUNT**  
BOTTOM TRACK WITH  
NO BOTTOMBOARD

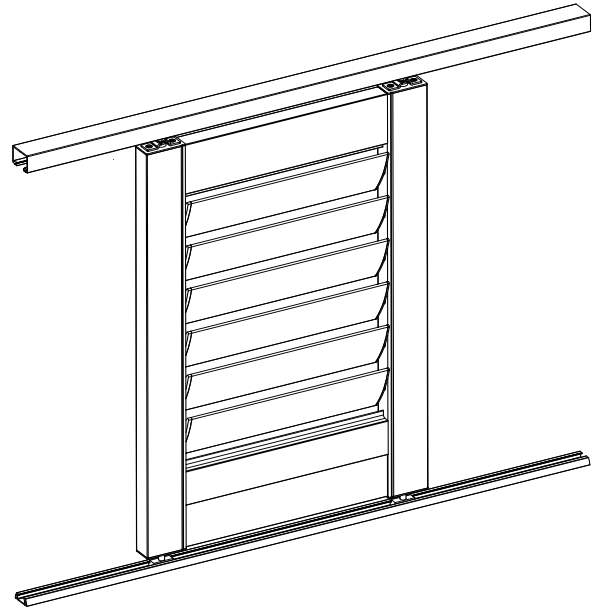
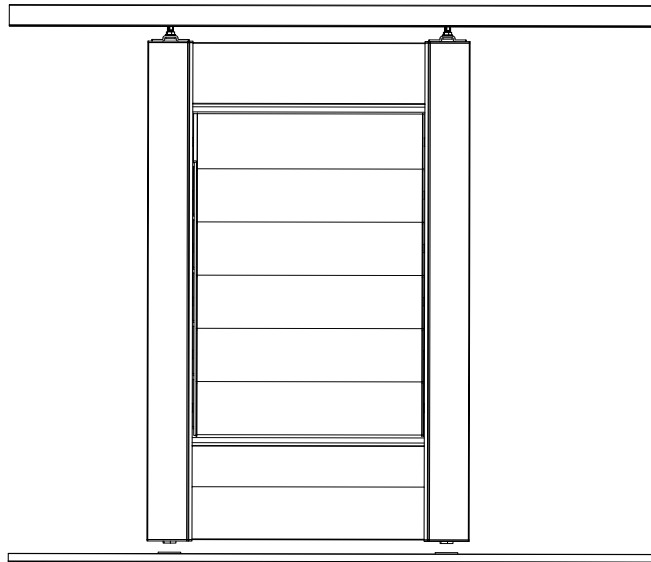


## SIDEBOARDS

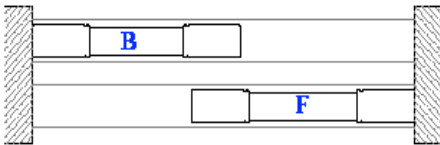
SIDEBOARDS ARE MANDATORY FOR BOTH SLIDING AND MULTI-FOLD INSTALLATION METHODS. ORDERS PLACED WITHOUT SIDEBOARDS WILL BE A NON-WARRANTY ITEM.

ALL PELMETS AND SIDEBOARDS WILL BE SUPPLIED IN MDF.

# AVAILABLE PANEL CONFIGURATIONS

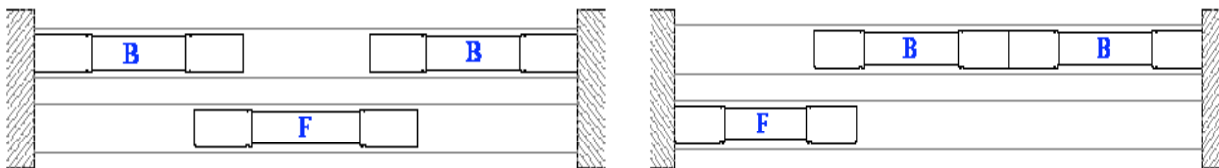


2 panels on 2 tracks, Configuration code: BF or FB

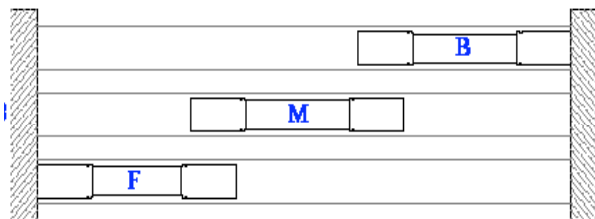


**Note:** Single panels sliding on 1 Track are denoted with a "S" for one panel, and a "SS" for 2 panels on a single track.

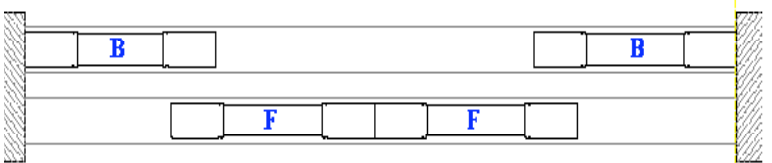
3 panels on 2 tracks, Configuration code: BFB or FBF or FBB or BBF



3 panels on 3 tracks, Configuration code: BMF or FMB  
NOTE: 3 tracks only available with blades closed option

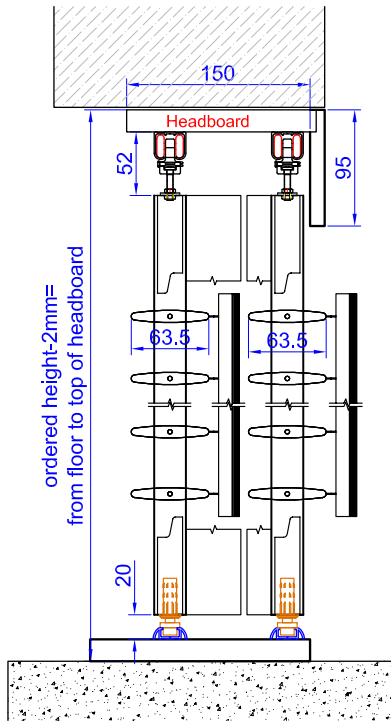


4 panels on 2 tracks, Configuration code: BFFB or FBBF

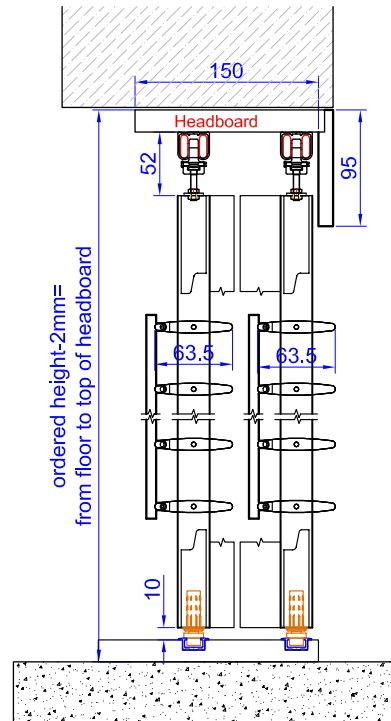


**Important Note on Joined Panels:** Joined panels will be hinged together with the hinge knuckle facing back as the aluminum core in the stile prevent the use of the doweled option.

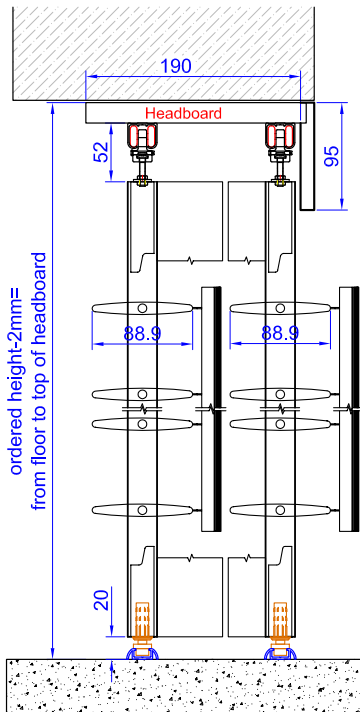
# SLIDING BLADES OPEN, REVEAL MOUNT SPECIFICATION DRAWINGS



Blade: 64mm Blade  
Tilt Rod: Center Rotation  
Bottom Track: Surface Mount Track

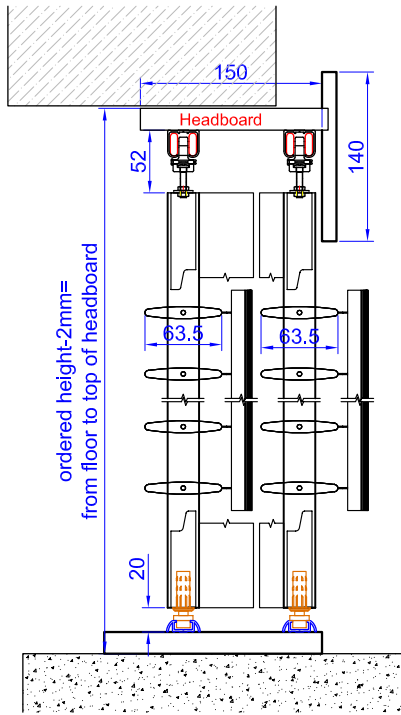


Blade: 64mm Blade  
Tilt Rod: Clearview Rotation  
Bottom Track: Recessed Track

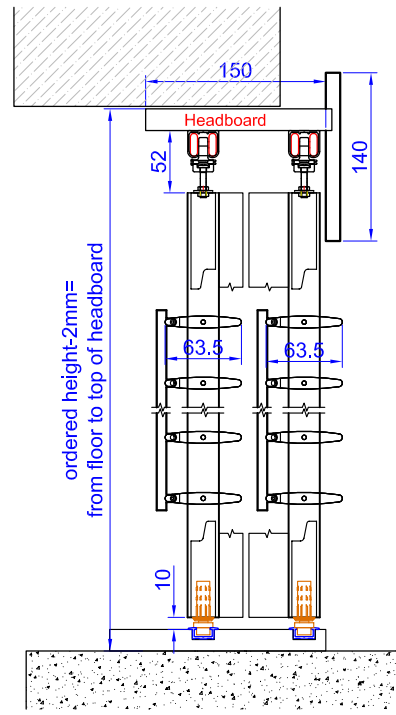


Blade: 89mm Blade  
Tilt Rod: Center Rotation  
Bottom Track: Surface Mount Track

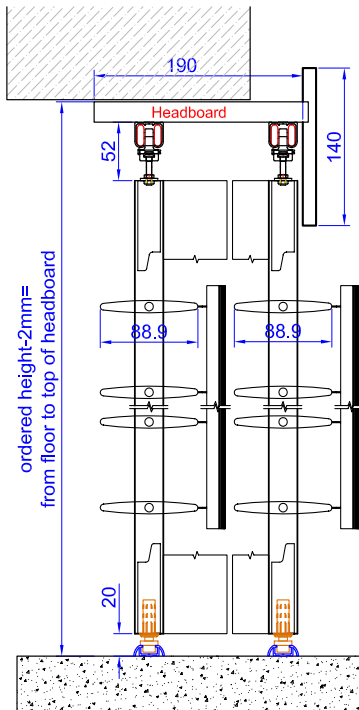
# SLIDING BLADES OPEN, SEMI-REVEAL MOUNT SPECIFICATION DRAWINGS



Blade: 64mm Blade  
Tilt Rod: Center Rotation  
Bottom Track: Surface Mount Track

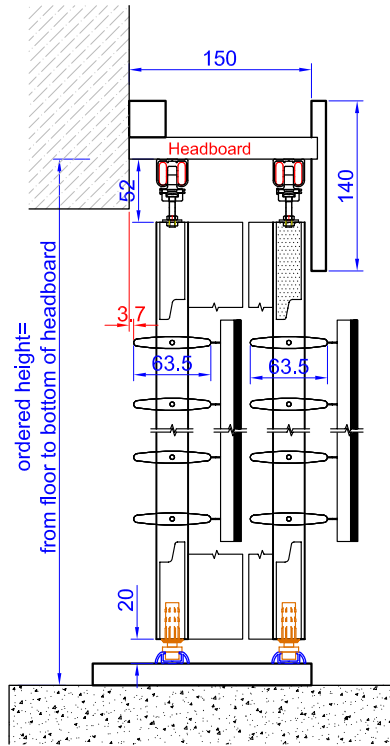


Blade: 64mm Blade  
Tilt Rod: Clearview Rotation  
Bottom Track: Recessed Track

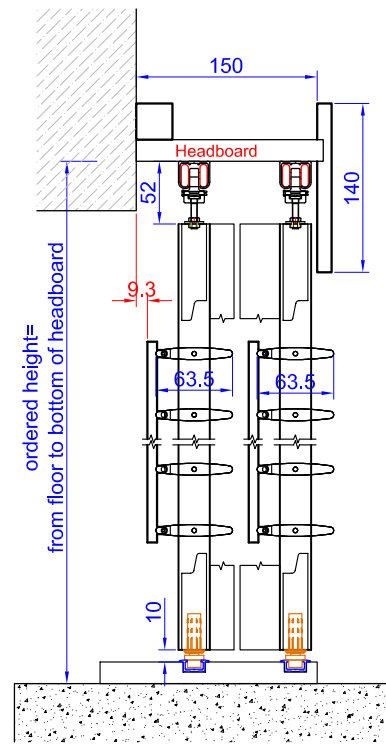


Blade: 89mm Blade  
Tilt Rod: Center Rotation  
Bottom Track: Surface Mount Track

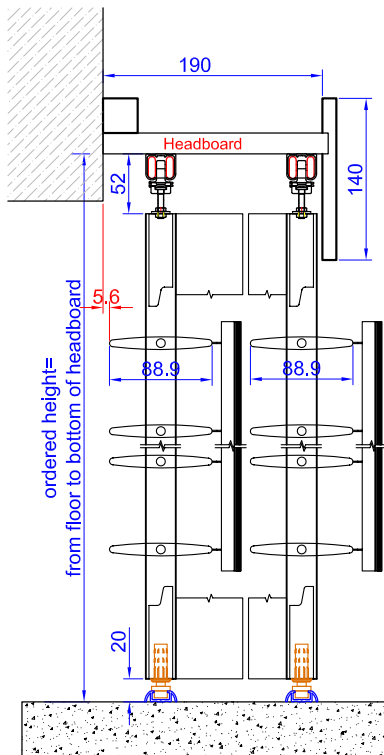
# SLIDING BLADES OPEN, FACE MOUNT SPECIFICATION DRAWINGS



Blade: 64mm Blade  
Tilt Rod: Center Rotation  
Bottom Track: Surface Mount Track

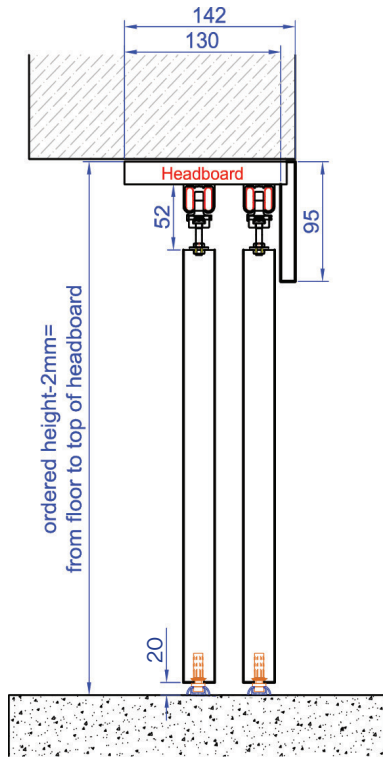


Blade: 64mm Blade  
Tilt Rod: Clearview Rotation  
Bottom Track: Recessed Track

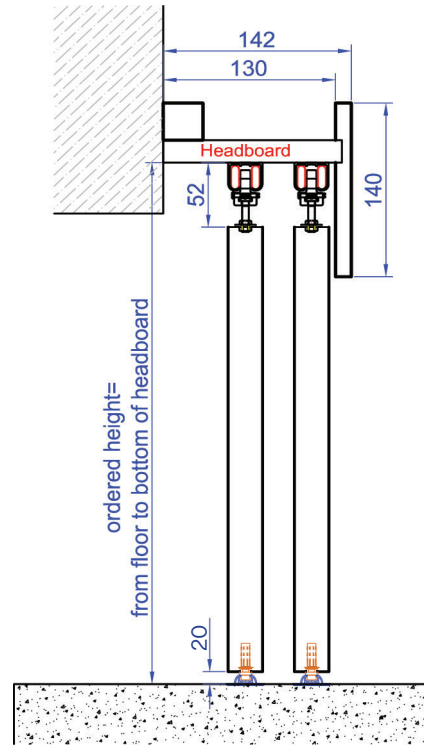


Blade: 89mm Blade  
Tilt Rod: Center Rotation  
Bottom Track: Surface Mount Track

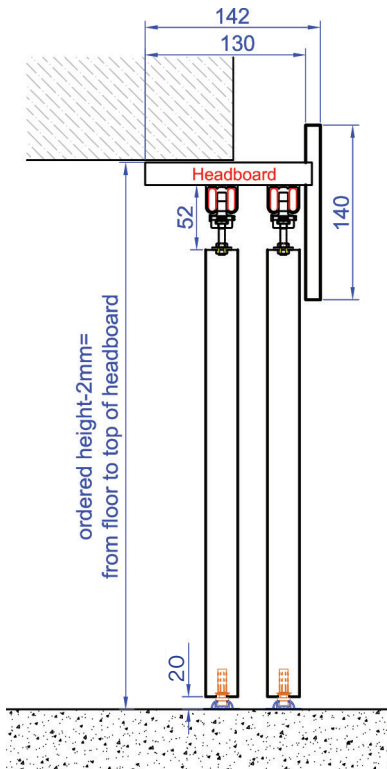
SLIDING BLADES CLOSED, ALL MOUNTS AND BLADE SIZES  
SPECIFICATION DRAWINGS



Mount: Reveal  
Bottom Track: No Track, Guide Only



Mount: Face  
Bottom Track: No Track, Guide Only



Mount: Semi-Reveal  
Bottom Track: No Track, Guide Only

# PRE-DRILLING OF FRAMES

If requested in Special Instructions, the factory will pre-drill countersunk holes as per the following guidelines:

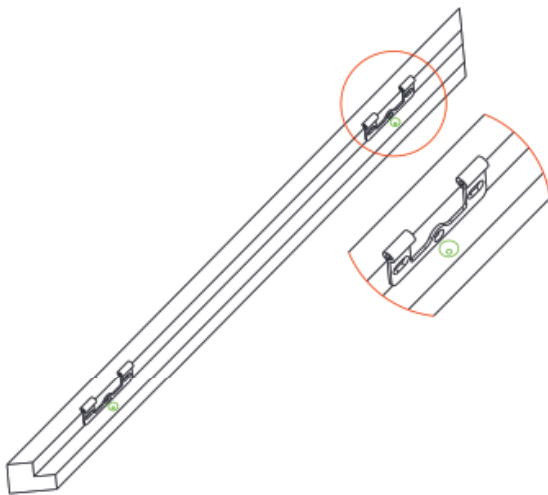
Inside Mount -



Outside Mount -

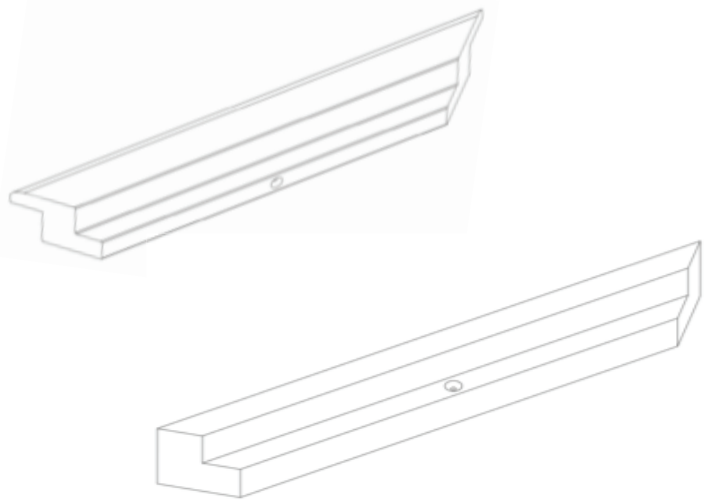


Side Frames - The pre-drilled hole will be placed at the center of the hinge section and will line up with the middle of the hinge screws on both the top and bottom hinges. See below drawing.



Top & Bottom Frames - If there is only one panel, no holes are needed.

If it is more than one panel, a hole will be pre-drilled at the center of the top and bottom frames with a maximum of six holes pre-drilled for each opening.





## UNIVERSAL PULL STICK

Open shutter blades with ease in out of reach installations for light adjustment.

Available in White.

### HOW TO ORDER:

Select from the *Extras* drop-down menu.



## BLADE CLOSURE RING PULL

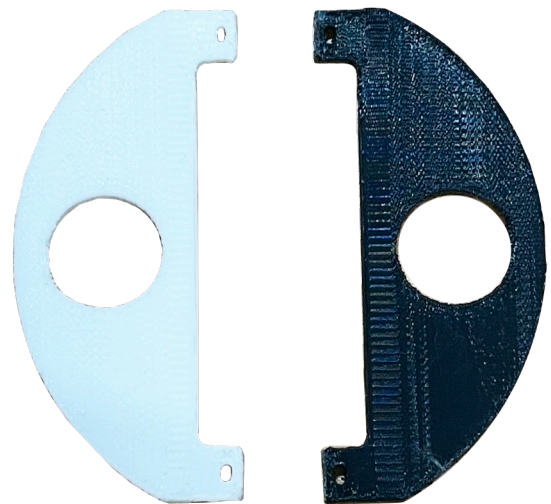
Available Sizes: 64mm, 89mm, 114mm blades

Product Code A9100

Available in Black or White.

### HOW TO ORDER:

Order under *Extras* in the drop-down menu.



## CUPBOARD CATCH

Designed to hold firmly and prevent doors swinging open during windy conditions. The catch is made from plastic and installed with a stainless steel screw (rust proof). No surcharge applicable.

### HOW TO ORDER:

When placing your order, please select Cupboard Catch from the Extras drop-down. This option will be supplied loose in order to prevent damage in transit.



## COLOUR MATCH STICKERS

Colour match stickers are available for custom colour jobs. Surcharge applies.



# SHELF BRACKET

Available in Mill (colour).

## HOW TO ORDER:

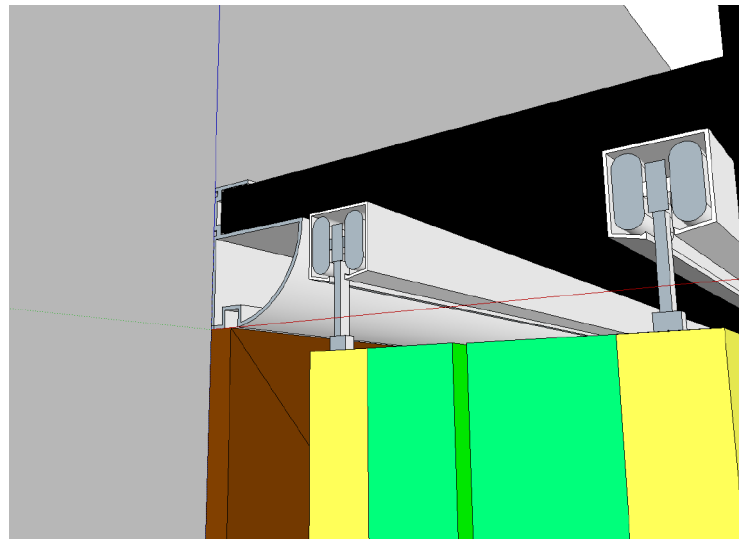
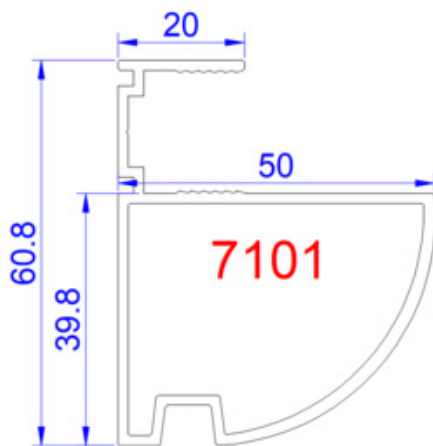
Order under *Extras* with your specified width requirements.

## IMPORTANT NOTE

The opening has to increase by 40mm in height.

Measurement is to the bottom of the headboard as a standard face fit opening.

It is up to the dealer to provide the measurement to the underside of the headboard increasing the height of the opening by a minimum of 40mm.



# MAGNET INSTALLED FOR PANELS >2200MM



Magnet installed midway  
behind stile.

When the panel is >2200mm  
the magnet comes standard.

For panels <2200mm,  
please request under Special  
Instructions.

# SPECIAL SHAPES

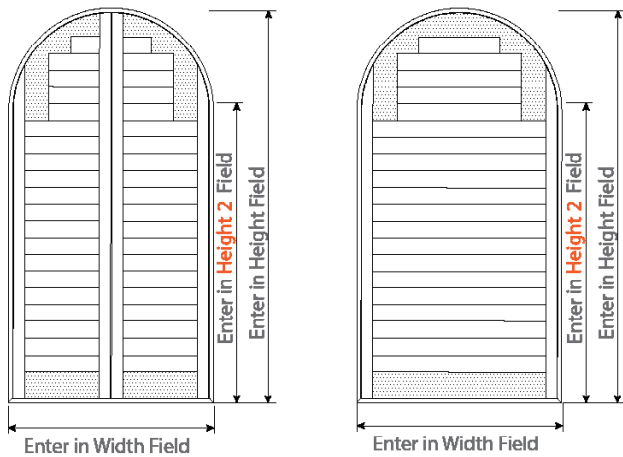
Special shapes can only be made for:

- Panel only
- P4022 Standard Z Frame
- P4041 48mm Flat L Frame

Available shapes:

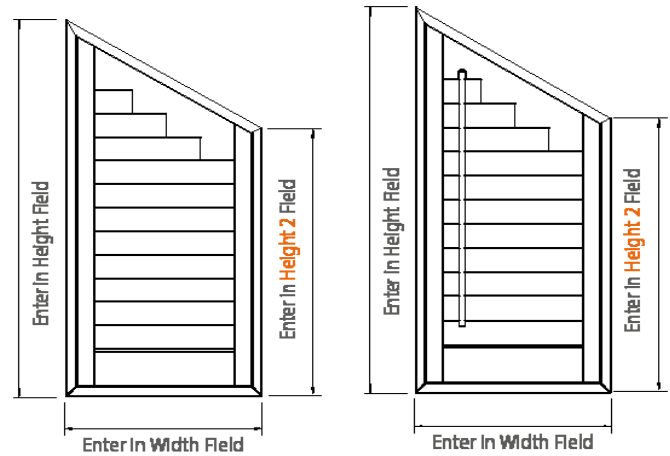
- Arches
- Slopes
- Rakes

Circle and oval shapes are not available.



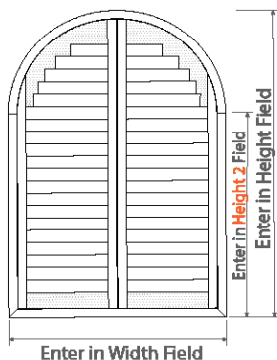
Arch: Warranty

Arch: Warranty

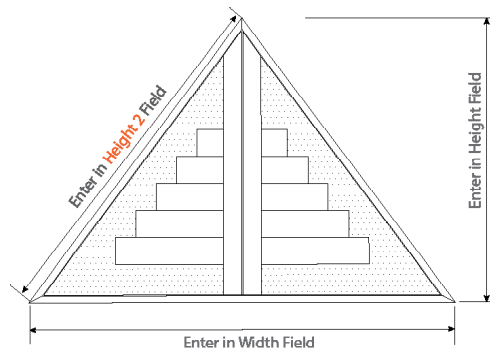


Right Rake: Warranty

Right Rake: Warranty



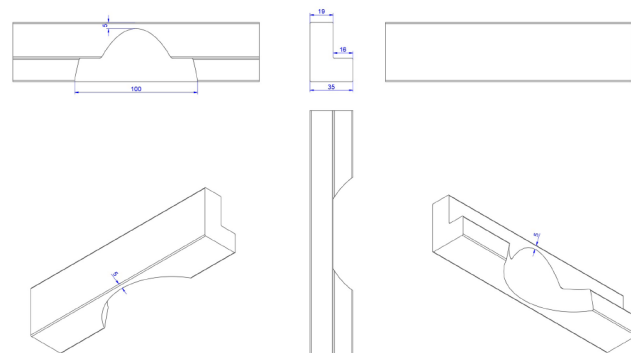
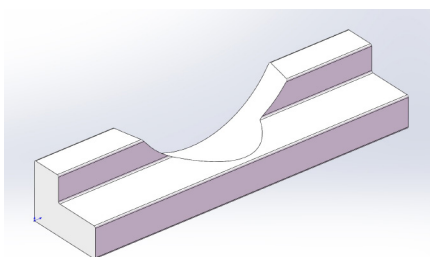
Arch: Warranty



Triangle: Warranty

Scoop cut-out option (for window winders)

- P4041 48mm Flat L Frame



# SPECIAL INSTRUCTIONS

**10mm Door Clearance** - The factory will take an additional 10mm deduction off the height of the opening to allow for clearance in doors.

**Critical Mid-Rail** - Height of mid-rail specified in column 1 of the order form is to be at that exact height. Please note this may result in large/small top and/or bottom rails.

**Hinges Loose** - Hinges for the line item will be supplied loose in the components box and not attached to the panels.

**Minumum Top & Bottom Rail** - Factory will supply smallest top and bottom rails on panels.