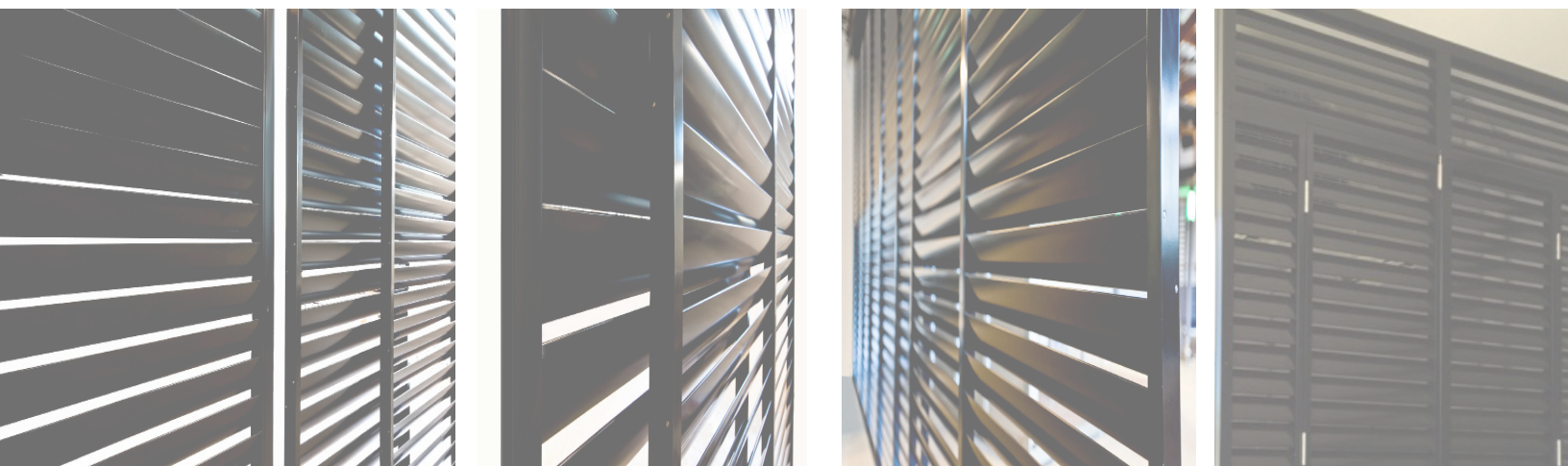


VO50424



FIXED LOUVRE PRODUCT & ORDERING GUIDE: METRIC



TWO GUIDELINES

Orders that are released to TWO are processed in the most timely manner possible. As such, any changes made to an order once it is released to TWO cannot be guaranteed to be applied if the order is already in production. Initial costs, cancellations or any change costs will be the responsibility of the dealer to cover.

All drawings, notes and emails with questions must be answered before an order is entered in to the production line. Delays in the timely processing of these by customers will lead to longer lead times.

All factory/freight repairs are to have photographic/video proof. If neither are available at the time of placing the repair, it will be processed as a dealer responsibility. TWO will credit back the cost of the repair once proof of factory/freight responsibility is given.

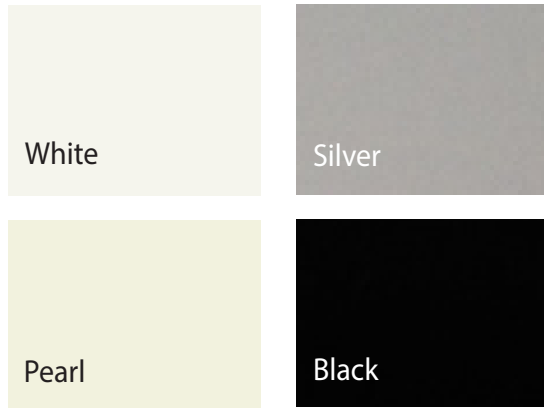
For special request/non-standard/limited availability items please check first with Head Office for availability. Any surcharges for these items will be the responsibility of the dealer to cover, even if it is not listed on the price list.

PDF Estimates generated from the system may not reflect final pricing. If all items are not selected in the order form, or details are added to the notes section that may alter the price.

All dealers are responsible for having the most current price lists and product manuals. If unsure please contact your sales representative to confirm.

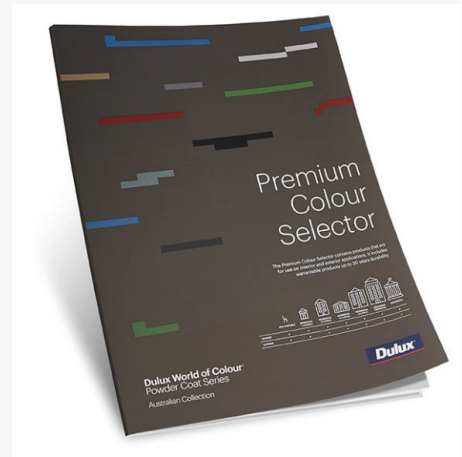
COLOUR OPTIONS

There are four standard powdercoat finishes (40% sheen) available for the Weatherwell Fixed Louvres range.



CUSTOM COLOUR FINISH

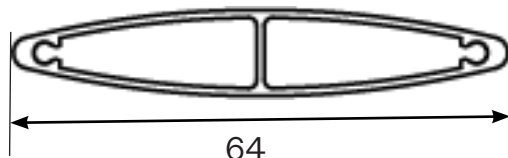
Choose from one of the many colours offered by Dulux. Please be sure to select from the below pictured specifier for accurate colour matching "to deck".



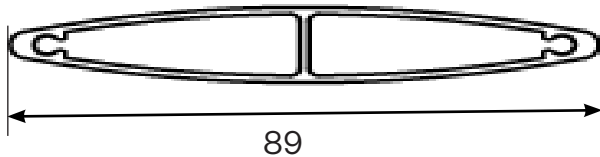
Please Note: Custom colour finishes are applied as a powdercoat. Blade end caps will be colour matched to the custom colour selected.

Powdercoat finishes will be applied with a standard satin finish at 40% sheen. For custom sheen finishes e.g. matte or gloss, surcharges will apply.

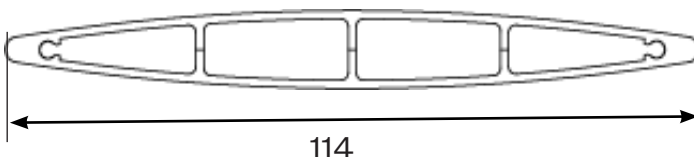
BLADE



Angle of blade: 40 Degrees

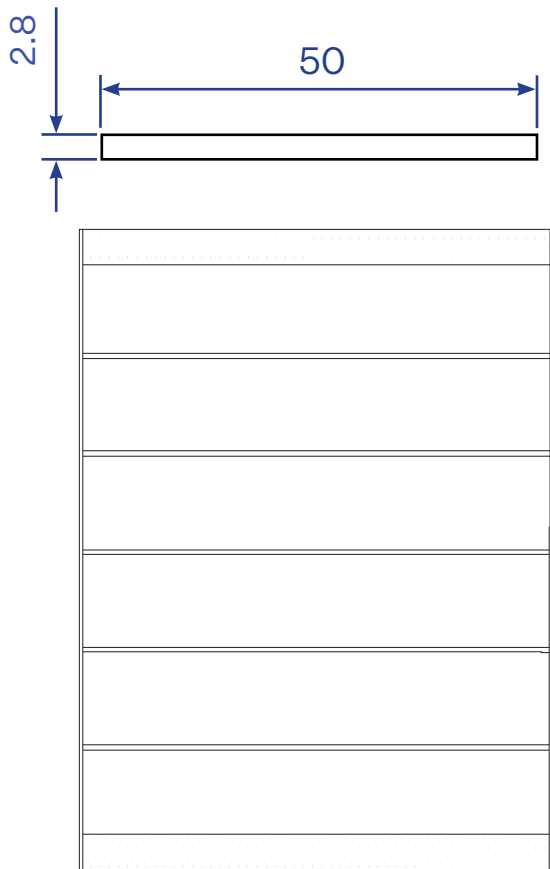


Angle of blade: 27 Degrees

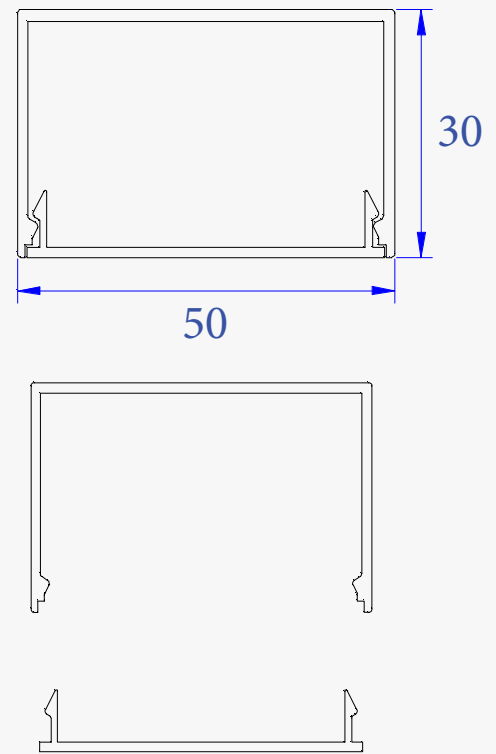


Angle of blade: 20 Degrees

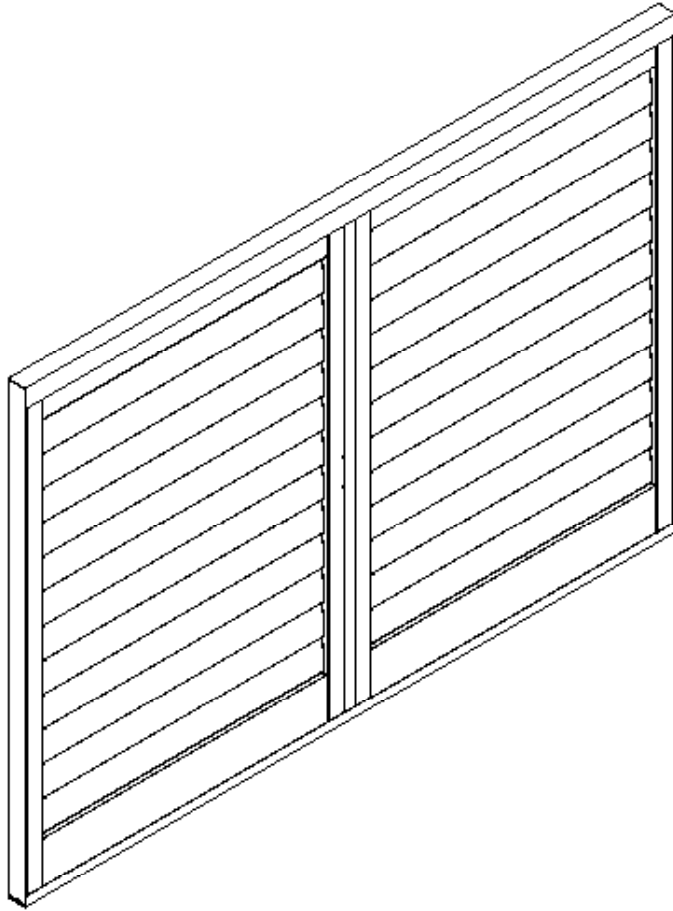
2.8 MM STILE



30 MM STILE



INSTALLATION METHOD: FIXED IN CHANNEL



BEFORE YOU ORDER:

WARRANTY LIMITS

Installation Method	Min Width	Max Width	Max Width Non-Warranty	Min Height	Max Height	Max Height Non-Warranty
Fixed	200	1500	1600	400	3600	N/A

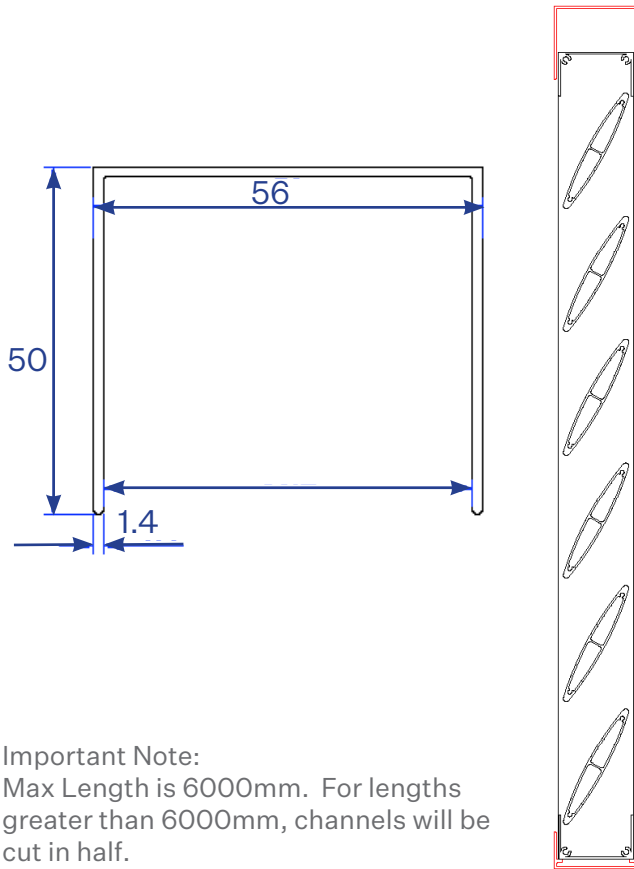
AVAILABLE MOUNTS

Reveal (In) Mount	Face (Out) Mount
Yes	No

AVAILABLE STILE SIZES

2.8mm Stile	30mm Stile
No	Yes

TOP CHANNEL



Important Note:
Max Length is 6000mm. For lengths greater than 6000mm, channels will be cut in half.

L ANGLE

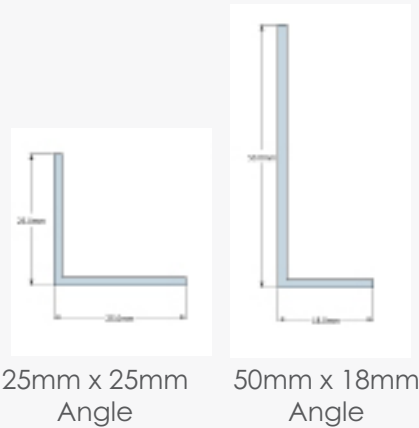
25x25 angle is supplied when 'U Channel with Angle Front Only' is selected at ordering.
25x10 angle is supplied when 'U Channel with Angle Front & Back' is selected at ordering.

Installation Method*: Fixed

Installation Type*: - select here -
 U Channel All Sides
 U Channel Top & Bottom Only
 U Channel with Angle Front & Back
 U Channel with Front Angle Only

Mount*:

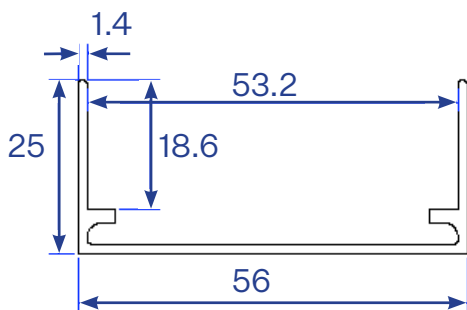
Panel Configuration*: - select here -



Important Note:
Max Length is 6000mm. For lengths greater than 6000mm, channels will be cut in half.

BOTTOM CHANNEL

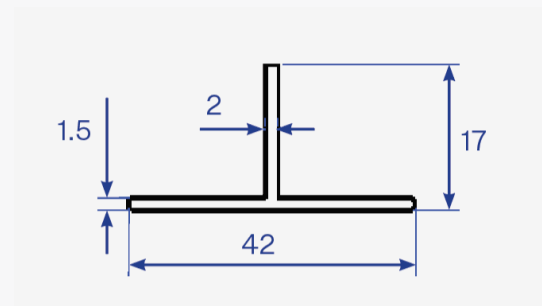
The bottom channel is designed with foot holdings to offer a shelf when inserting the panel in to the channel.



Important Note:
Max Length is 6000mm. For lengths greater than 6000mm, channels will be cut in half.

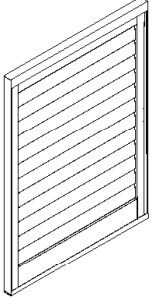
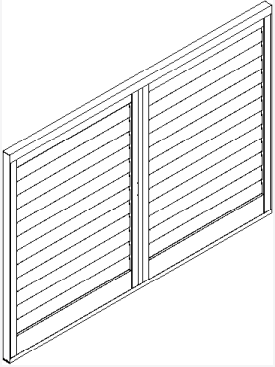
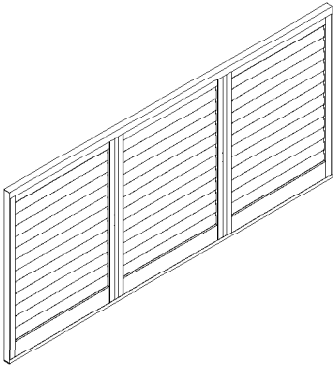
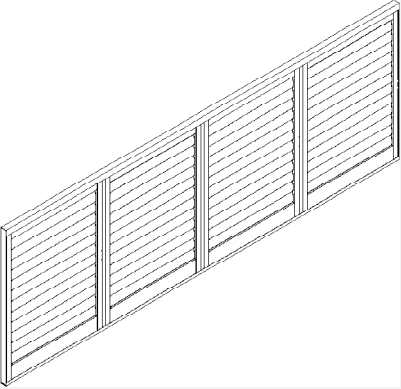
T SECTION

T Section is used to conceal the joint between each panel offering a seamless transition between panels. T Section is notated as a "T" in panel configurations.

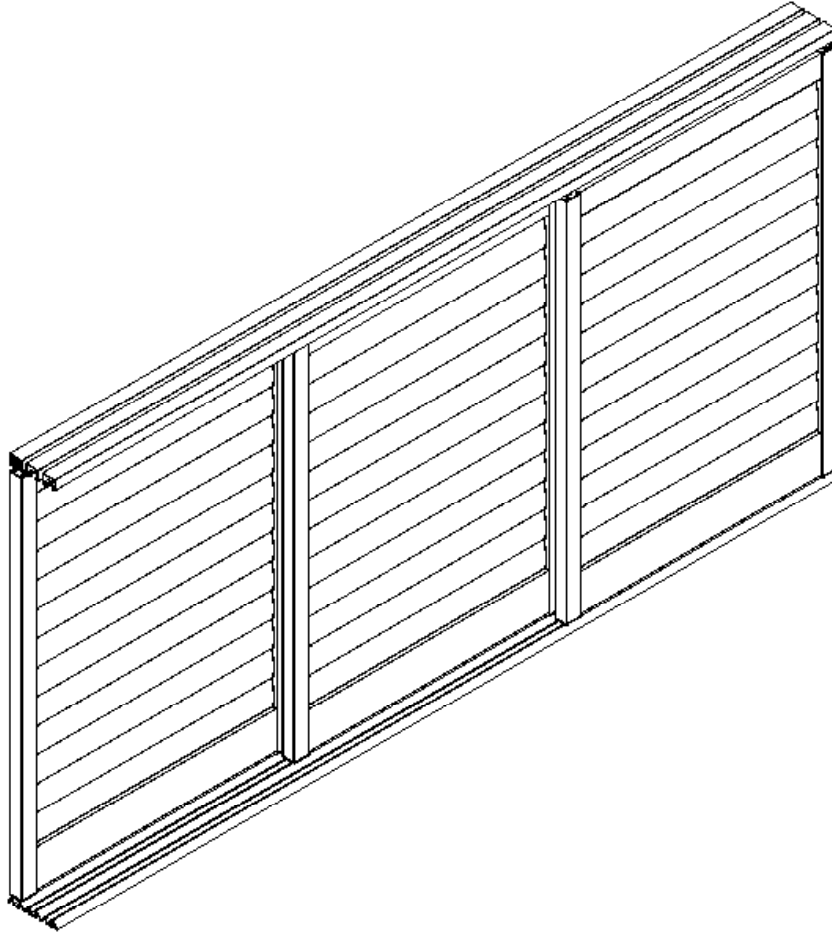


Important Note:
Max Length is 6000mm. For lengths greater than 6000mm, channels will be cut in half.

PANEL CONFIGURATIONS

Drawing	Panel Configuration Code
	F - 1
	FTF - 2
	FTFTF - 3
	FTFTFTF - 4

INSTALLATION METHOD: SLIDING



BEFORE YOU ORDER:

WARRANTY LIMITS

Installation Method	Min Width	Max Width	Max Width Non-Warranty	Min Height	Max Height	Max Height Non-Warranty
Sliding	200	1500	1600	400	3600	N/A

AVAILABLE MOUNTS

Reveal (In) Mount	Face (Out) Mount
Yes	No

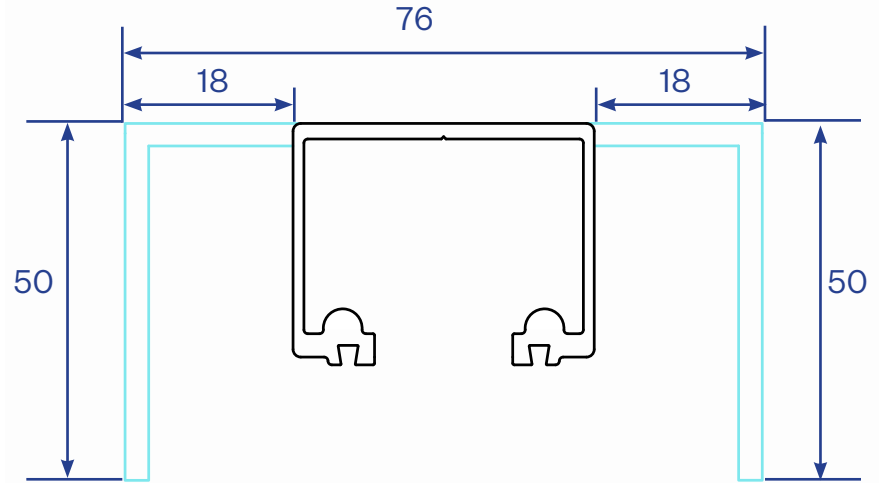
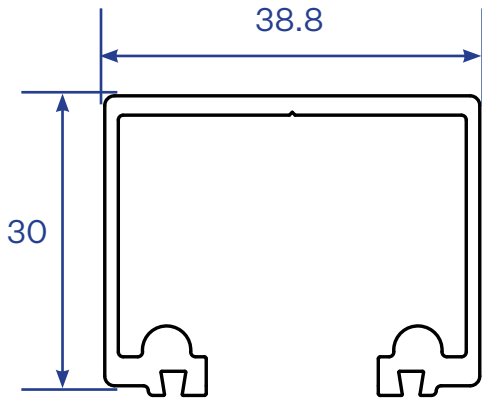
AVAILABLE STILE SIZES

2.8mm Stile	30mm Stile
No	Yes

DOUBLE SIDED FASICA
INSTALLATION OPTION 1

TOP TRACK

Available Mounts - Reveal (In).

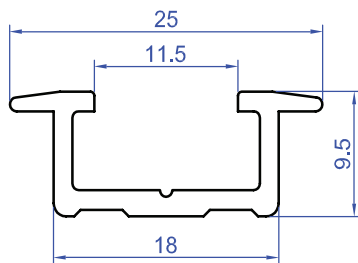
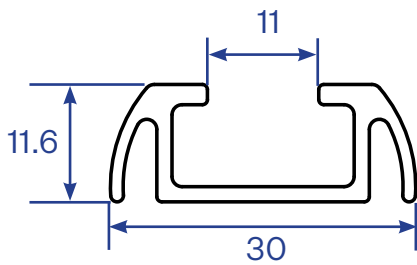


Important Note:
Max Length is 6000mm. For lengths greater than 6000mm, tracks will be cut in half.

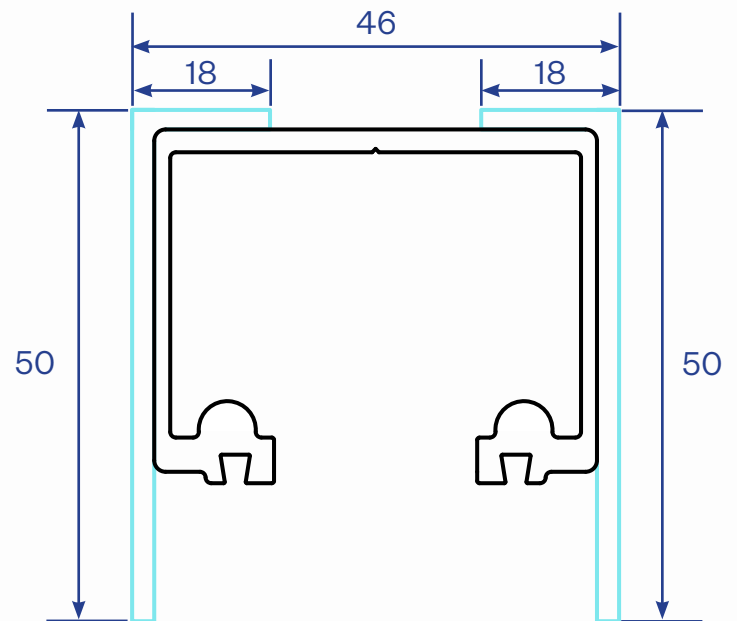
DOUBLE SIDED FASICA
INSTALLATION OPTION 2

BOTTOM TRACK

Available Mounts - Reveal (In).

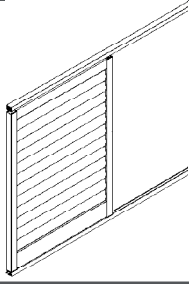
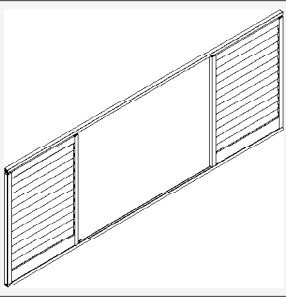
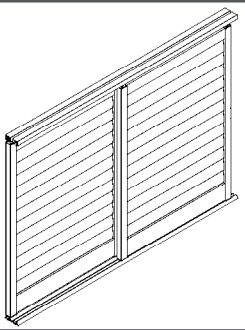
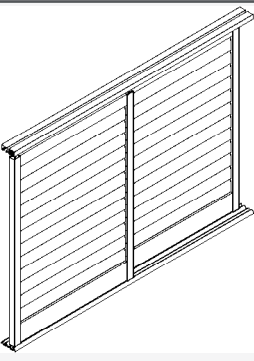
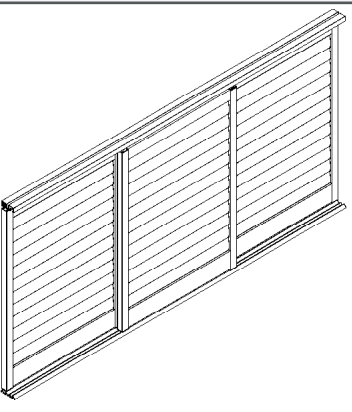


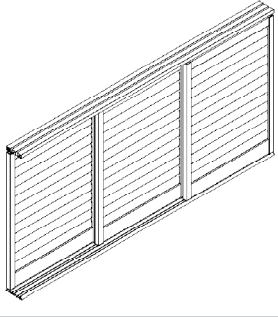
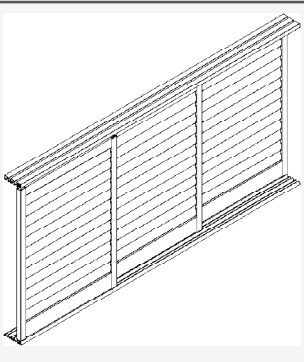
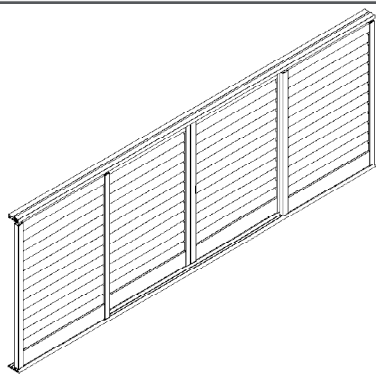
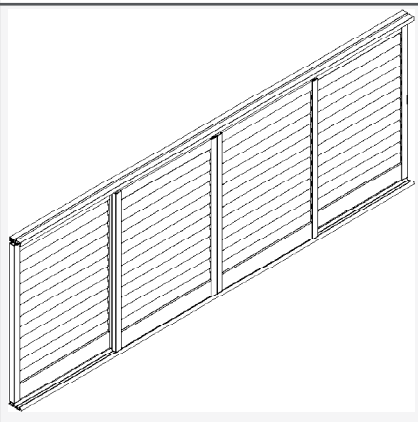
Recessed Bottom Track (7014)



Important Note:
Max Length is 6000mm. For lengths greater than 6000mm, tracks will be cut in half.

PANEL CONFIGURATIONS

Drawing	Panel Configuration Code
	1 Track S - 1
	1 Track SS - 2
	2 Tracks BF - 2
	2 Tracks FB - 2
	2 Tracks BFB - 3

Drawing	Panel Configuration Code
	3 Tracks BMF - 3
	3 Tracks FMB - 3
	2 Tracks FBBF - 4
	2 Tracks BFFB - 4

EXTRAS

STAND OUT BRACKET



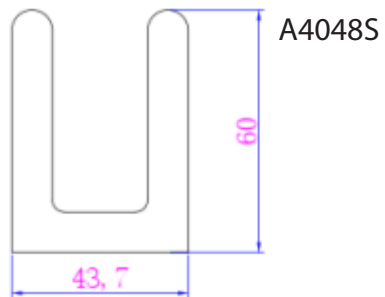
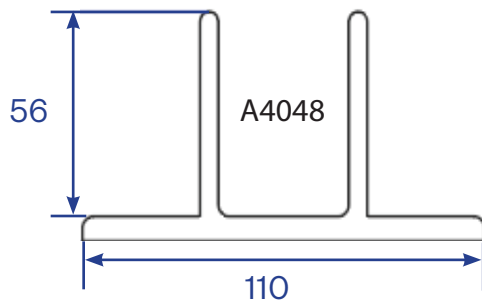
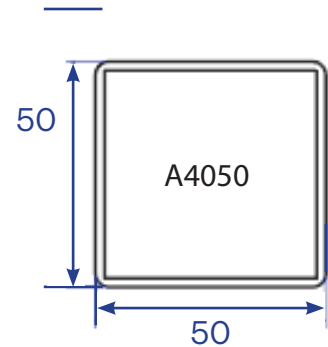
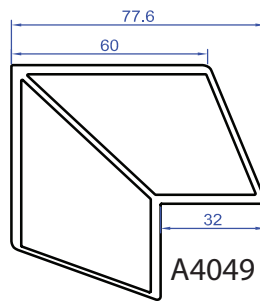
Available Colours:

Powdercoated to match.

Installation Type:

Currently only available for a Fixed in Top and Bottom U Channel installation type. Can be applied to other applications on request - please check with Head Office first.

Minimum width of Stand Out Bracket is 150mm. Max width is 600mm.

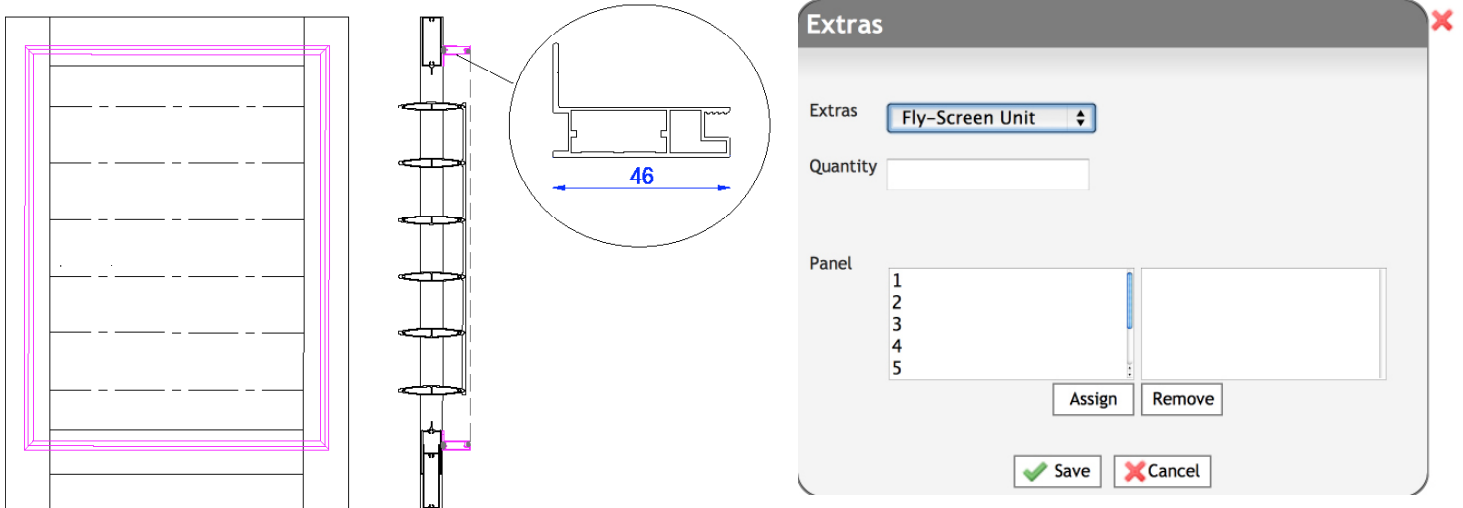


Ordering Note:

As standard these will come at the width ordered top and bottom, however please advise the projection from the wall in the notes when ordering.

Choose for either the standard foot (A4048) or concealed foot (A4048S)

FLYSCREEN UNITS – FIBERGLASS



Available Installation Methods:
Fixed.

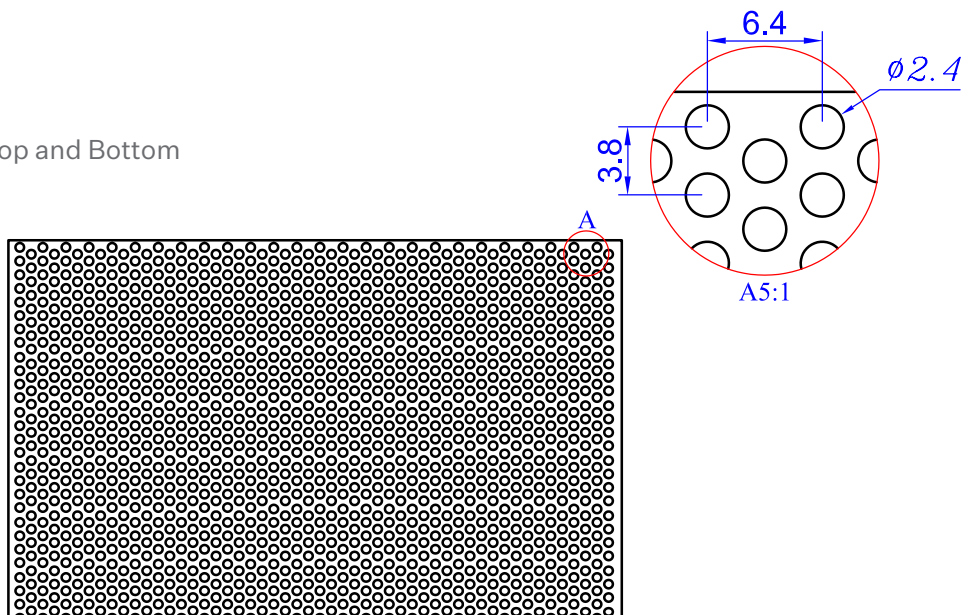
Available Colours:
Black

FLYSCREEN UNITS – ALUMINUM MESH (A9003)

Available Colours:
Black

Installation Type:
Currently only available for a Fixed in Top and Bottom U Channel installation type.

Important Note:
Maximum size is 1000mm x 2500mm.



CUPBOARD CATCH

Designed to hold firmly and prevent doors swinging open during windy conditions.
The catch is made from plastic and installed with a stainless steel screw (rust proof).
No surcharge applicable.
This option will be supplied loose in order to prevent damage in transit.



SHAPED SHUTTERS

SLOPES LEFT & RIGHT

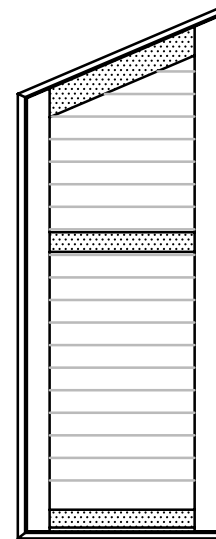
Available Installation Methods:

- Fixed
- Hinged in Frame

Important Note:

Blade(s) in the sloped section will be fixed, all other blades will be operable.

Please allow additional lead time for sloped shutter orders. If you are unsure if the shape is available for this product range, please contact your sales representative.



Slope Left

How To Order:

1. Click on the pencil for Shaped Shutter

Color*: Black. Split Rotation Height

Blade*: 114mm

Tilt Rod*: Dual Clearview Bac Shaped Shutter

Stiles*: 60mm Beaded

Installation Method*: Fixed

Installation Type*: U Channel All Sides

Mount*: Reveal (In)

Panel Configuration*: FHF - 2

2. Select Shape Type - Slope Left or Slope Right

Shaped Shutter

Shape Type: - select here -

Height 2

Save Cancel

3. Enter Height 2 measurement

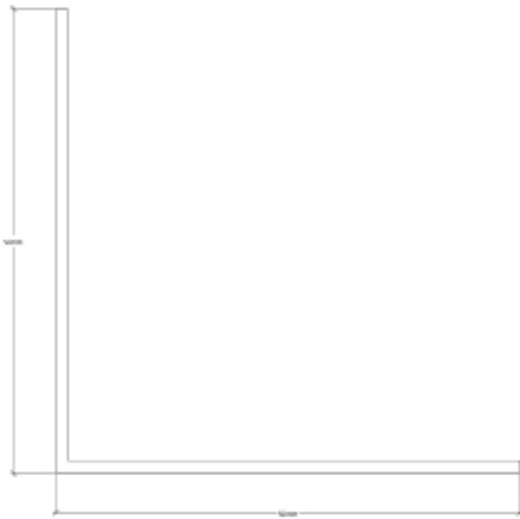
Shaped Shutter

Shape Type: Slope Left

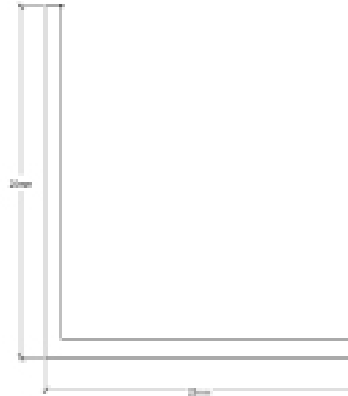
Height 2

Save Cancel

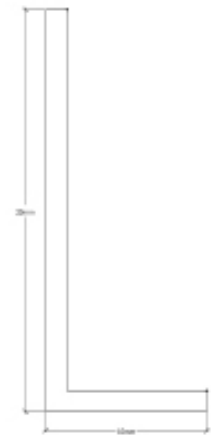
ANGLES



50 x 50 Angle
A4010



25 x 25 Angle
A4007



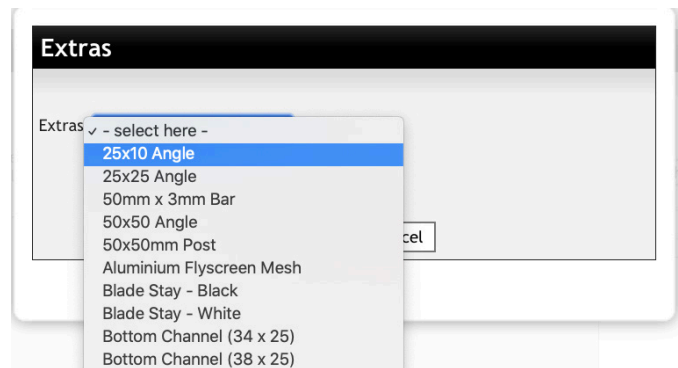
25 x 10 Angle
A4014

Available Colours:
Powdercoated to match.

Important Note:
Max Length is 6000mm. For lengths greater than 6000mm, angles will be cut in half.



50 x 3 Flat Bar
A4002



ORDERING GUIDE: ALL INSTALLATION METHODS

Product* : Weatherwell Fixed ▾ Location : Enter Location Width* : Enter Width Height* : Enter Height Uneven Panel Widths : <input type="radio"/> No <input checked="" type="radio"/> Yes Sub Widths* : Enter Sub-Width 1 (+) Enter Sub-Width 2 (-) Enter Sub-Width 3 (-)	Color* : Black. ▾ Blade* : 89mm Fixed Blade ▾ Stiles* : 30mm ▾ Installation Method* : Sliding ▾ Installation Type* : 2 Tracks ▾ Mount* : Reveal (In) ▾ Panel Configuration* : BFB - 3 ▾	Pelmet/Tracks* : Double Sided Fasci ▾	Special Instructions ✎ (-) Notes : <div style="border: 1px solid gray; height: 50px; width: 100%;"></div> Needs Drawing* : <input checked="" type="radio"/> No <input type="radio"/> Yes Upload Drawing/Image : Choose File No file chosen <small>No file chosen</small> Using Made2Fit Service ✎ (-)
--	--	--	---




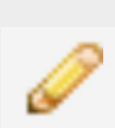
The order form is divided in to four columns containing all the information needed to successfully order panels for any opening.

Column 1: This column is universal across all Installation Methods.

Columns 2 & 3: These two columns are specific to an Installation Method.

Column 4: This column is also universal across all Installation Methods, although there are Special Instructions that are more relevant to different Installation Methods.

Installation Method	Column Number	Page Number
Section 1	1	14
Hinged No Frame	2	15 -16
Fixed	2	17 -18
Multi-Fold	2	19 - 20
Sliding	2	21 - 22

Icon	Function
	1. This icon adds additional line items if available for a field. 2. It also adds new line items to the order form.
	This icon removes added line items if too many are added and not needed.
	This icon copies the majority of the details from the above line item to a new line item.
	This icon allows you to add/edit content in a light box e.g. blade stay.

COLUMN 1

Product*: <input type="text" value="Weatherwell Fixed"/>	Color <input type="text" value="- select here -"/>	Special Instructions Notes <div style="border: 1px solid #ccc; height: 40px; width: 100%;"></div>
Location <input type="text" value="Enter Location"/>	Blade <input type="text" value="89mm Fixed Blade"/>	
Width*: <input type="text" value="Enter Width"/>	Stiles <input type="text" value="- select here -"/>	
Height*: <input type="text" value="Enter Height"/>	Installation Method <input type="text" value="- select here -"/>	
Uneven Panel Widths <input type="radio"/> No <input checked="" type="radio"/> Yes	Installation Type <input type="text" value="- select here -"/>	
Sub Widths*: <input type="text" value="Enter Sub-Width 1"/> <input type="text" value="Enter Sub-Width 2"/> <input type="text" value="Enter Sub-Width 3"/>	Mount <input type="text" value="- select here -"/>	
	Panel Configuration <input type="text" value="- select here -"/>	Needs Drawing*: <input checked="" type="radio"/> No <input type="radio"/> Yes Upload Drawing/Image <input type="text" value="Choose File"/> No file chosen Using Made2Fit Service

Step 1: Location: The Location field is for your line item reference for e.g. Master Bedroom.

Step 2: Width & Height: Enter the openings width and height in millimeters.
 Note: You do not need to enter "mm" at the end of your measurements

Step 3: Uneven Panel Widths: If you require the panels in your panel configuration to be at specified widths select "yes".

Step 4: Sub-Widths: If there are multiple sub-widths select for additional lines to appear. Select the to remove extra lines added.

FIXED: COLUMN 2

Product* : <input type="text" value="Weatherwell Fixed"/>	Color : <input type="text" value="Black."/>	Special Instructions Notes <div style="border: 1px solid #ccc; height: 40px; width: 100%;"></div>
Location : <input type="text" value="Enter Location"/>	Blade : <input type="text" value="89mm Fixed Blade"/>	
Width* : <input type="text" value="Enter Width"/>	Stiles : <input type="text" value="30mm"/>	Needs Drawing* : <input checked="" type="radio"/> No <input type="radio"/> Yes
Height* : <input type="text" value="Enter Height"/>	Installation Method : <input type="text" value="Fixed"/>	Upload Drawing/Image : <input type="text" value="Choose File"/> No file chosen
Uneven Panel Widths : <input type="radio"/> No <input checked="" type="radio"/> Yes	Installation Type : <input type="text" value="U Channel Top/Bo"/>	Using Made2Fit Service
Sub Widths* : <input type="text" value="Enter Sub-Width 1"/> <input type="text" value="Enter Sub-Width 2"/> <input type="text" value="Enter Sub-Width 3"/>	Mount : <input type="text" value="Reveal (In)"/>	
	Panel Configuration : <input type="text" value="FTF - 2"/>	

Step 5: Color: Select from one of the available colors.

Step 6: Blade: The 89mm blade is the only available blade size for this product range. It is the default selection.








Step 7: Stile Sizes: Select either the 2.8mm or 30mm stile.

Step 8: Installation Method: Fixed

Step 9: Installation Type: U Channel Top/Bottom Only or U Channel with 25 x 25 Angle.

Step 10: Mount: Reveal (In)

FIXED: COLUMN 2

Product* : <input type="text" value="Weatherwell Fixed"/>	Color : <input type="text" value="Black."/>	Special Instructions   Notes <div style="border: 1px solid #ccc; height: 40px; width: 100%;"></div>
Location : <input type="text" value="Enter Location"/>	Blade : <input type="text" value="89mm Fixed Blade"/>	
Width* : <input type="text" value="Enter Width"/>	Stiles : <input type="text" value="30mm"/>	Needs Drawing* : <input checked="" type="radio"/> No <input type="radio"/> Yes
Height* : <input type="text" value="Enter Height"/>	Installation Method : <input type="text" value="Fixed"/>	Upload Drawing/Image : <input type="button" value="Choose File"/> No file chosen
Uneven Panel Widths : <input type="radio"/> No <input checked="" type="radio"/> Yes	Installation Type : <input type="text" value="U Channel Top/Bo"/>	Using Made2Fit Service  
Sub Widths* : <input type="text" value="Enter Sub-Width 1"/>  <input type="text" value="Enter Sub-Width 2"/>  <input type="text" value="Enter Sub-Width 3"/> 	Mount : <input type="text" value="Reveal (In)"/>	
	Panel Configuration : <input type="text" value="FTF - 2"/>	

Step 11: Select the needed panel configuration. Refer to page 7 for available configurations).

Color	<input type="text" value="Black."/>
Blade	<input type="text" value="89mm Fixed Blade"/>
Stiles	<input type="text" value="30mm"/>
Installation Method	<input type="text" value="Fixed"/>
Installation Type	<input type="text" value="U Channel Top/Bo"/>
Mount	<input type="text" value="Reveal (In)"/>
Panel Configuration	<input type="text" value="-- select here -"/> <input type="text" value="F - 1"/> <input checked="" type="text" value="FTF - 2"/> <input type="text" value="FTFTF - 3"/> <input type="text" value="FTFTFTF - 4"/> <input type="text" value="-----"/> <input type="text" value="- Add New -"/>

SLIDING: COLUMN 2

Product* : Weatherwell Fixed ▾ Location : Enter Location Width* : Enter Width Height* : Enter Height Uneven Panel Widths: <input type="radio"/> No <input checked="" type="radio"/> Yes Sub Widths* : Enter Sub-Width 1 Enter Sub-Width 2 Enter Sub-Width 3	Color* : Black. ▾ Blade* : 89mm Fixed Blade ▾ Stiles* : 30mm ▾ Installation Method* : Sliding ▾ Installation Type* : 2 Tracks ▾ Mount* : Reveal (In) ▾ Panel Configuration* : BFB - 3 ▾	Pelmet/Tracks* : Double Sided Fasci ▾	Special Instructions ✎ Notes Needs Drawing*: <input checked="" type="radio"/> No <input type="radio"/> Yes Upload Drawing/Image: Choose File No file chosen Using Made2Fit Service ✎
--	--	--	---

Step 5: Color: Select from one of the available colors.

Step 6: Blade: The 89mm blade is the only available blade size for this product range. It is the default selection.

Step 7: Stile Sizes: 30mm stile.

Step 8: Installation Method: Sliding

Step 9: Installation Type: 1 Track, 2 Tracks or 3 Tracks.

Step 10: Mount: Reveal (In)

SLIDING: COLUMN 2

Product*: Weatherwell Fixed ▾ Location: Enter Location Width*: Enter Width Height*: Enter Height Uneven Panel Widths: <input type="radio"/> No <input checked="" type="radio"/> Yes Sub Widths*: Enter Sub-Width 1 (+) Enter Sub-Width 2 (-) Enter Sub-Width 3 (-)	Color*: Black. ▾ Blade*: 89mm Fixed Blade ▾ Stiles*: 30mm ▾ Installation Method*: Sliding ▾ Installation Type*: 2 Tracks ▾ Mount*: Reveal (In) ▾ Panel Configuration*: BFB - 3 ▾	Pelmet/Tracks*: Double Sided Fasci ▾	Special Instructions ✎ Notes Needs Drawing* <input checked="" type="radio"/> No <input type="radio"/> Yes Upload Drawing/Image Choose File No file chosen Using Made2Fit Service ✎
---	---	---	---

Step 11: Select the needed panel configuration. Refer to page 12 for available configurations).

Color*: Black. ▾ Blade*: 89mm Fixed Blade ▾ Stiles*: 30mm ▾ Installation Method*: Sliding ▾ Installation Type*: 2 Tracks ▾ Mount*: Reveal (In) ▾ Panel Configuration*: ▾ - select here - BF - 2 BFB - 3 BFFB - 4 FB - 2 FBBF - 4 FBF - 3
--

Step 12: Pelmet/Tracks: Select either Double Sided Fascia or Track(s) Only.

Pelmet/Tracks*: ▾ - select here - Double Sided Fascia Track(s) Only
