

V010523

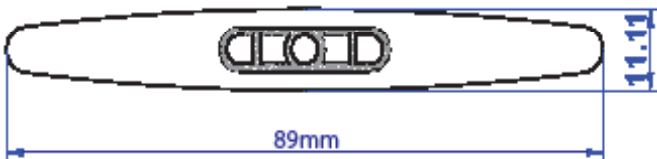
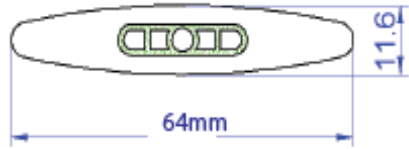


ELEMENTS PRODUCT & ORDERING GUIDE



BLADE OPTIONS

* ALL MEASUREMENTS ARE IN MILLIMETERS



Blade Profile	Elliptical	Elliptical
Blade Sizes	64	89
Blade Thickness	11	11



MINIMUM REVEAL DEPTHS

Minimum reveal depths can be found on each installation method header page. Please measure from the most protruding object in the reveal. The most common window types are listed below with reminders of where to measure from to confirm that there is enough reveal depth for your chosen installation method.

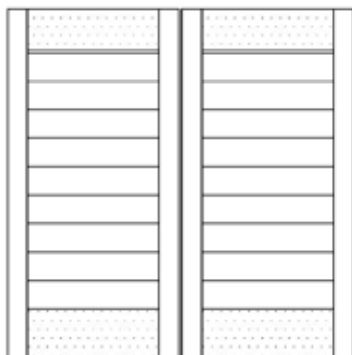
Double-hung window: handles that lift the inside window

Casement window: crank handle

Sliding windows: slider handle/ storm bar

TILT RODS

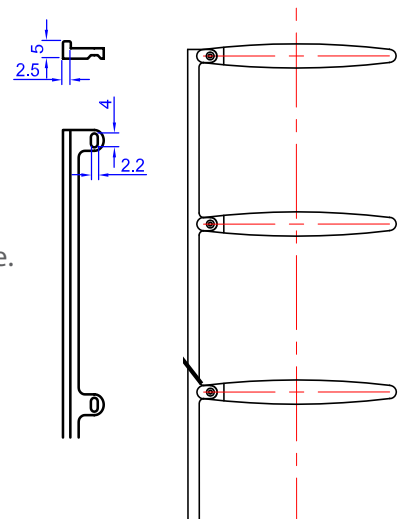
REAR FACING TILT ROD



CLEARVIEW

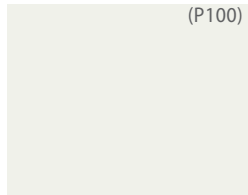
Best option for an uninterrupted view.

Default Position: Rear of panel on hinged side.

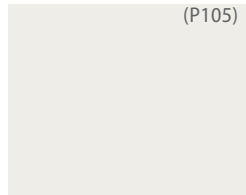


COLOUR OPTIONS

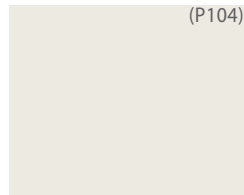
PAINTED:



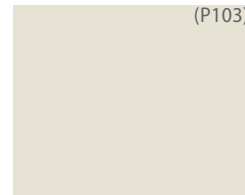
White



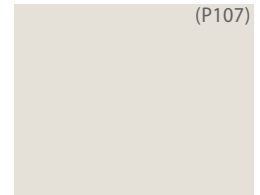
Silk White



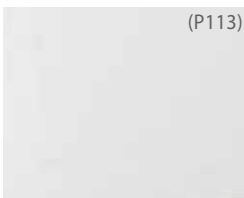
Shell



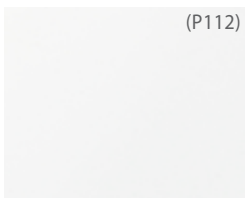
Ivory



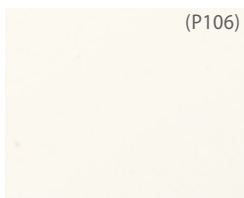
Alabaster



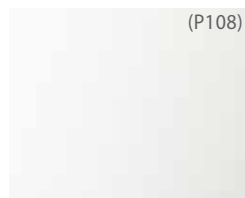
Whisper White



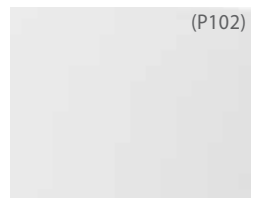
Antique White



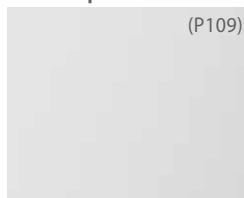
Pearl



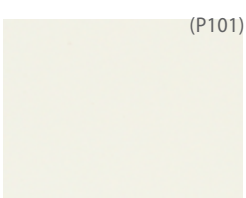
Dove



Sandy Day



Grey



Clotted Cream



TWO White

Please ensure that you have the most up to date swatching as colours may vary between supplied decks. Contact your sales representative to order new swatching if needed.

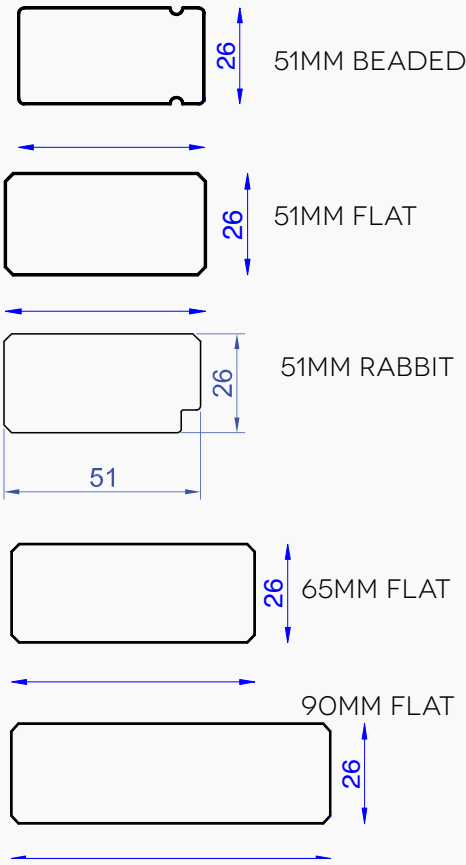
CUSTOM COLOURS:

Choose from the Dulux World of Colour Series II fan deck.



IMPORTANT NOTE: Custom colours are matched to the Dulux World of Colour fan deck. If you are unsure if the requested colour is from this deck it is best to supply a sample that will be sent to our factory for colour matching.

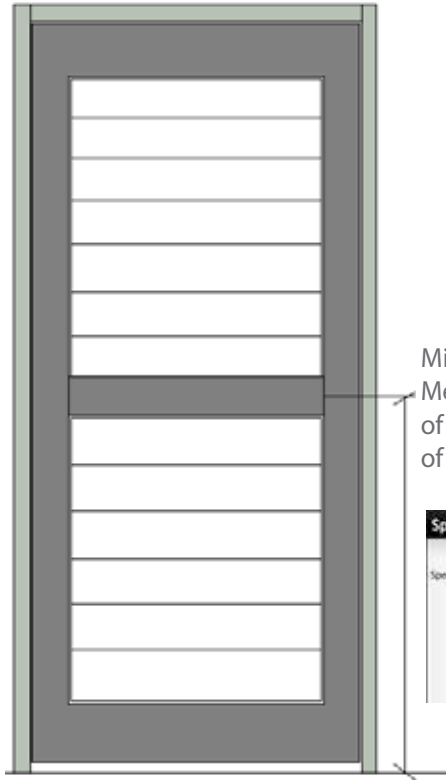
STILES



NOTE: Stiles will be 41mm on joined panels.

MID-RAILS

HOW TO MEASURE:



Mid-rail:
Measure from bottom of opening to centerpoint of required mid-rail.

AVAILABLE SIZES:

Standard Rails - Clearview Tilt:

- 76mm x 20mm (2001)
- 102mm x 20mm (2002)

Euro Rails - Clearview Tilt

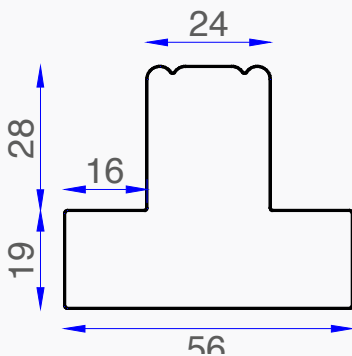
- 70mm x 20mm (2025)
- 95mm x 20mm (2025)



Mid-rail placement is within + or - one blade size. If position is critical, please select 'Critical Midrail' option in special instructions.

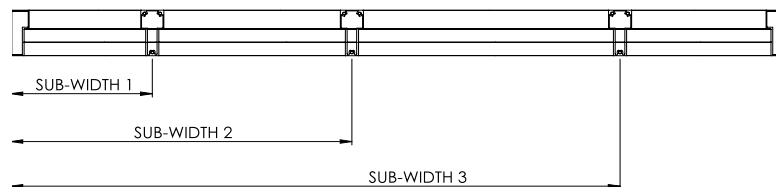
Min. Top & Bottom Rail - 78mm
Max. Top & Bottom Rail - 180mm

T-POST



Max length of posts is 3000mm. For lengths requested longer, they will be supplied cut in half by default.

UNEVEN PANEL WIDTHS



HINGES

STANDARD HINGE COLOURS

Panel Colour	Hinge Colour
Alabaster	Ivory
Antique White	White
Clotted Cream	Ivory
Dove	Ivory
Grey	Stainless Steel
Ivory	Ivory
Pearl	Ivory
Sandy Day	Stainless Steel
Shell	White
Silk White	White
Stains	Stainless Steel
Whisper White	White
White	White

NUMBER OF HINGES PER PANEL

Panel Height	Hinge Quantity
< 1220mm	2
1220mm - 1980mm	3
1980mm - 2440mm	4
2440mm - 3000mm	5

AVAILABLE HINGE COLOURS

Hinge Colour	Hinge Type			
	Non-Mortise	Pivot	Bi-Fold	L
Ivory	Yes	Yes	Yes	-
Stainless Steel	Yes	Yes	Yes	Yes
White	Yes	Yes	Yes	Yes
Black	Yes	-	Yes	-

NON-MORTISE HINGE



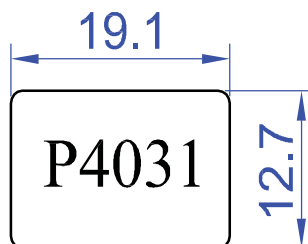
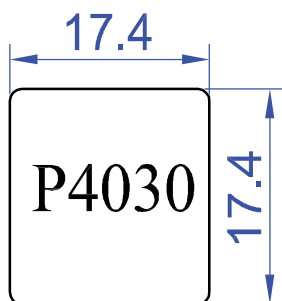
BI-FOLD HINGE



PIVOT HINGE



PVC PACKERS



INSTALLATION METHOD: HINGED IN Z FRAME

USED ONLY WHEN MOUNTING INSIDE A REVEAL.



BEFORE YOU ORDER

MINIMUM REVEAL DEPTHS*

*Be sure to always measure from the most protruding object in the reveal.

	64mm Blade	89mm Blade
	Clearview	Clearview
Z Frame	39	52

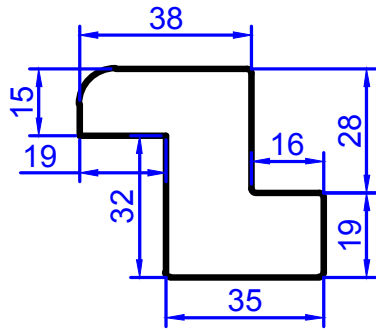
LIMITATIONS

Installation Method	Width			Height			Panel Breaks		
	Min	Max	Max Non Warranty	Min	Max	Max Non Warranty	Mid-Rail(s) Required	Approximate Split Rotation by Blade Size	
								64	89
Hinged in Z Frame	250	930	980	400	2700	N/A	1800	1100	1300
Double Hinged	250	400	450	450	2700	N/A	1800	1100	1300
Note: The factory will automatically split the tilt if ordered sizes exceed factory standards					Max No. of Blades Per Tilt Rod			22	15

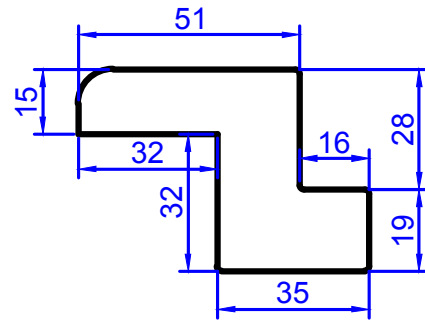
DEDUCTIONS

Panel and Reveal	Between Meeting Panels	Between Meeting Panels with D Mould	Between Panel and Frame	Between Frame and Reveal	Hinge Deductions	Overall Panel Deduction
2.5	2.5	5	2.5	2	2.5	5

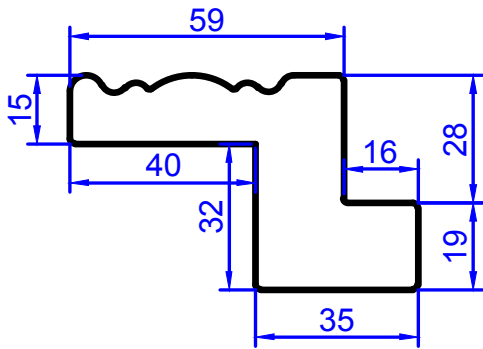
Z FRAME OPTIONS



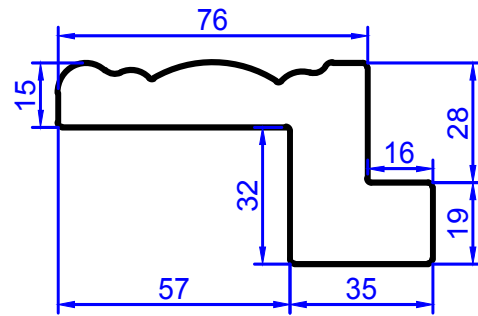
4023 Z Standard



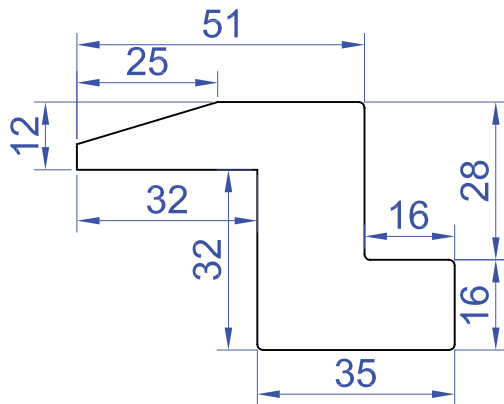
4022 Z Large Lip



4008 Z Deco

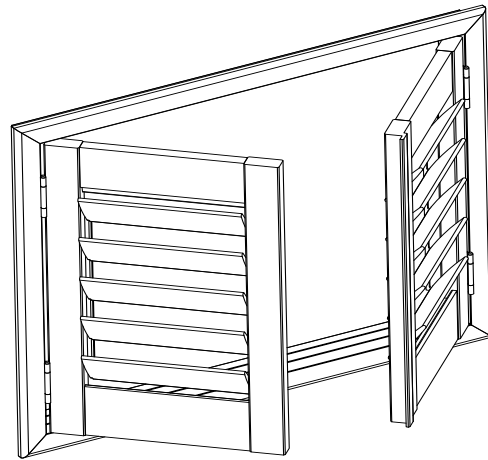
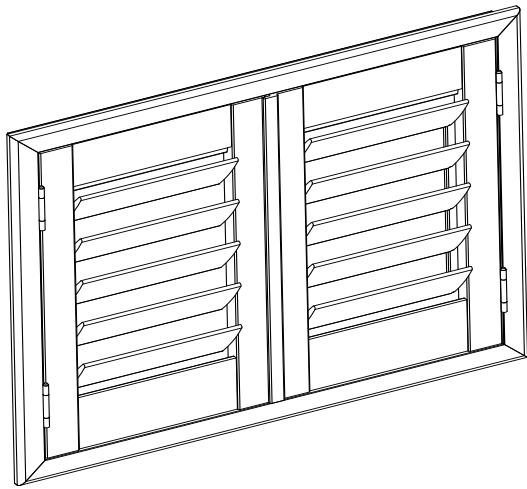


4009 Z Crown

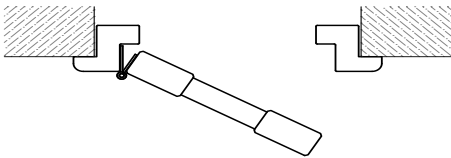


4021 Bevelled Z

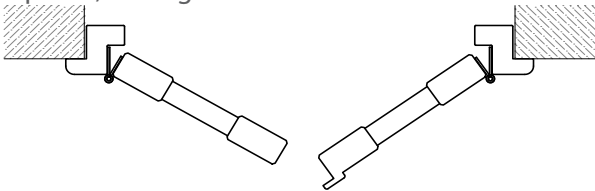
AVAILABLE PANEL CONFIGURATIONS



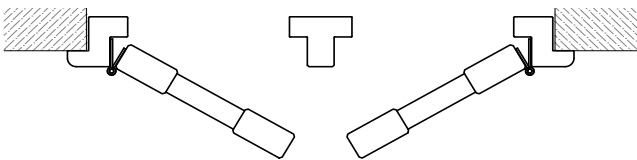
1 panel, Configuration code: L or R



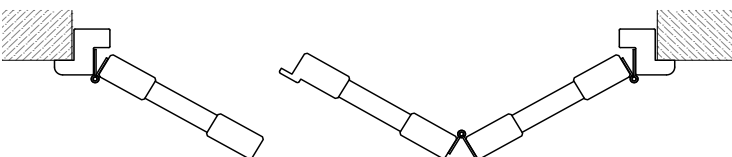
2 panel, Configuration code: L-DR or LD-R



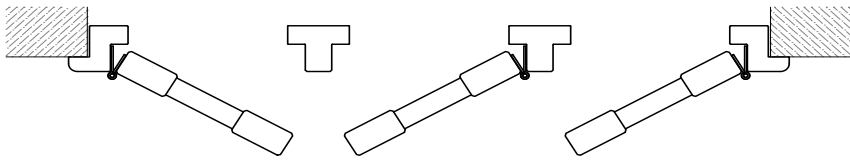
2 panel with T Post, Configuration code: LTR



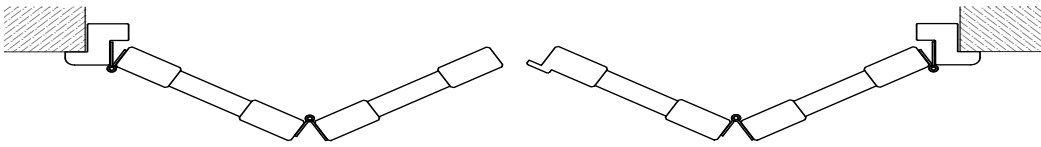
3 panel, Configuration code: L-DRR or LLD-R



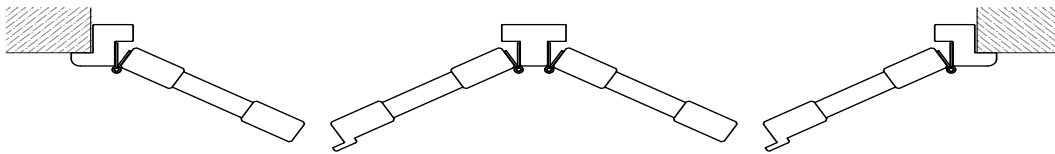
3 panel with T post, Configuration code: LTRTR or LTLTR



4 panel, Configuration code: LL-DRR or LLD-RR

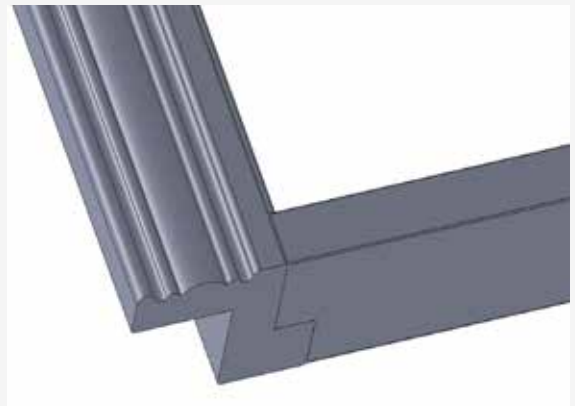


4 panel with T post, Configuration code: L-DRTL-DR or LRTLTR



OPTION: SILL PLATE

A Sill Plate is simply an L Frame used for one or more sides of the frame, where a Z frame will not fit. For example: a window with a Sill, cannot use a Z frame on the sill side, so a Sill Plate is used. To order, choose Sill Plate in the Frame Options drop down field.



INSTALLATION METHOD: HINGED IN L FRAME



BEFORE YOU ORDER

MINIMUM REVEAL DEPTHS*

*Be sure to always measure from the most protruding object in the reveal.

	64mm Blade	89mm Blade
	Clearview	Clearview
L Frame	54	67

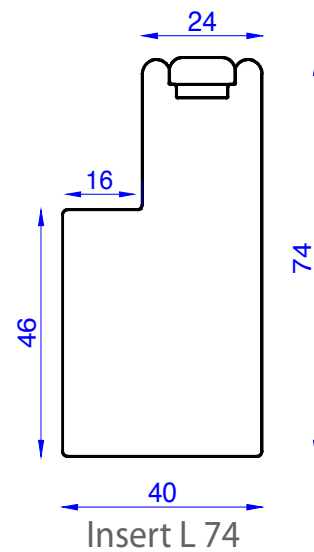
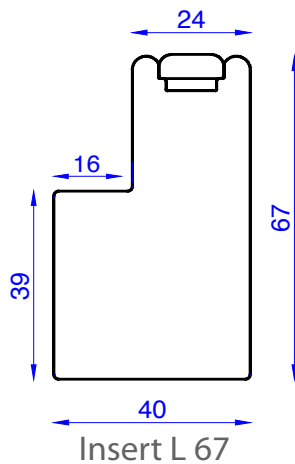
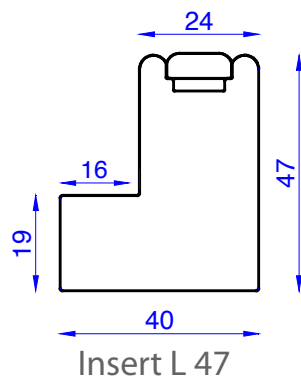
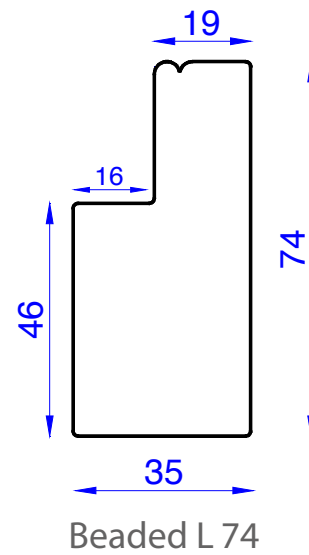
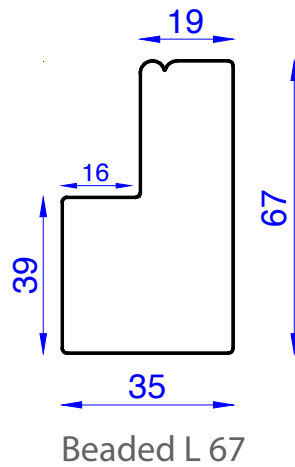
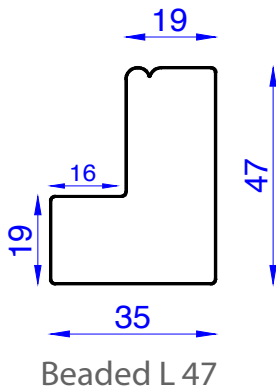
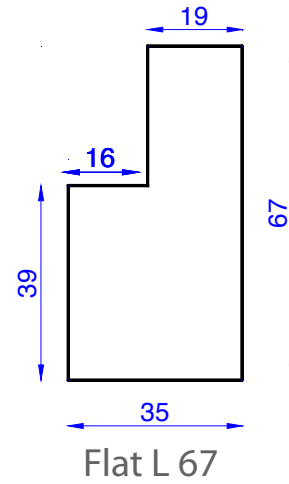
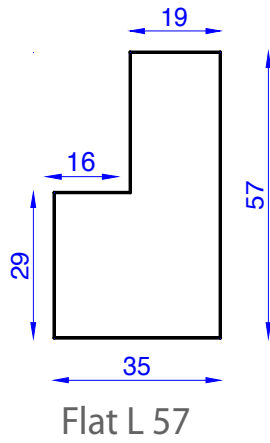
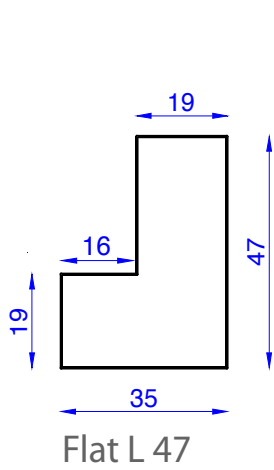
LIMITATIONS

Installation Method	Width			Height			Panel Breaks		
	Min	Max	Max Non Warranty	Min	Max	Max Non Warranty	Mid-Rail(s) Required	Approximate Split Rotation by Blade Size	
								64	89
Hinged in L Frame	250	930	980	400	2700	N/A	1800	1100	1300
Double Hinged	250	400	450	450	2700	N/A	1800	1100	1300
Note: The factory will automatically split the tilt if ordered sizes exceed factory standards					Max No. of Blades Per Tilt Rod			22	15

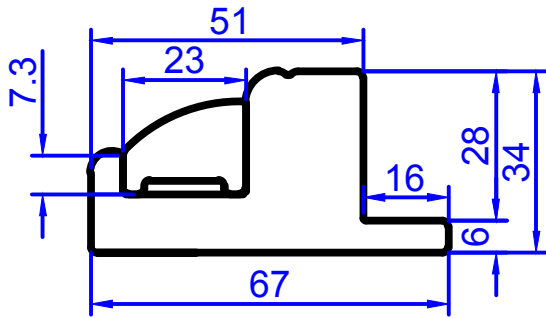
DEDUCTIONS

Panel and Reveal	Between Meeting Panels	Between Meeting Panels with D Mould	Between Panel and Frame	Between Frame and Reveal	Hinge Deductions	Overall Panel Deduction
2.5	2.5	5	2.5	2	2.5	5

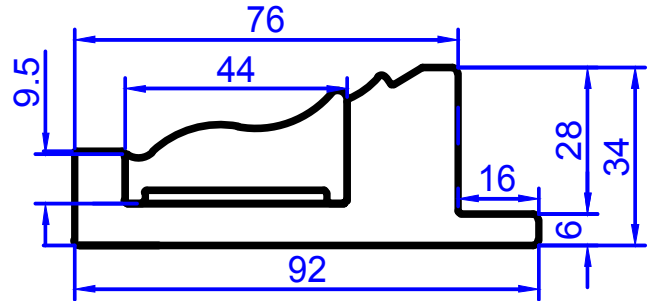
L FRAME OPTIONS



L FRAME OPTIONS

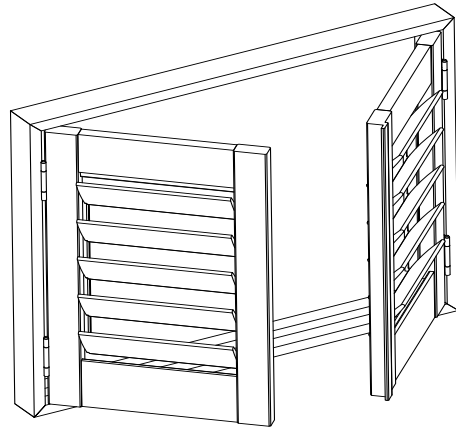


4002 Face Fit Deco Modern

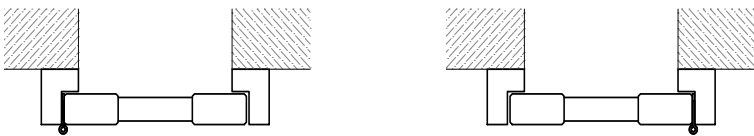


4003 Face Fit Deco Traditional

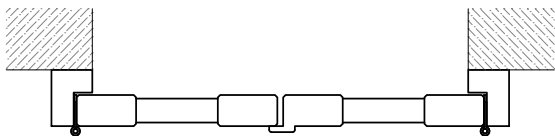
AVAILABLE PANEL CONFIGURATIONS



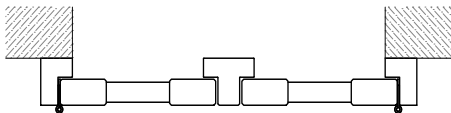
1 panel Configuration code: L or R



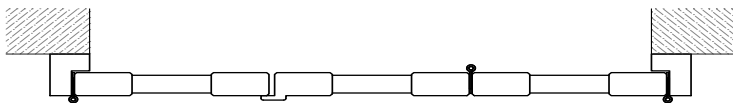
2 panel, Configuration code: L-DR or LD-R



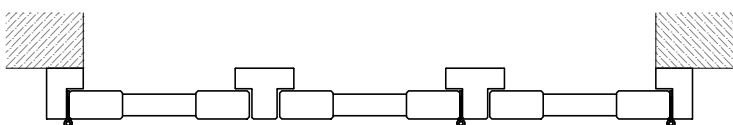
2 panel with T post, Configuration code: LTR



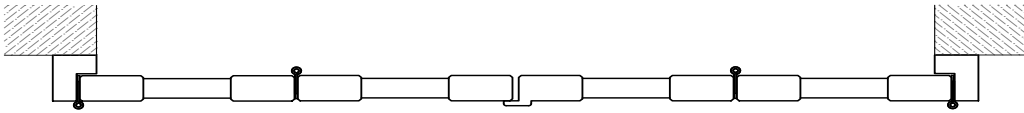
3 panel, Configuration code: L-DRR or LLD-R



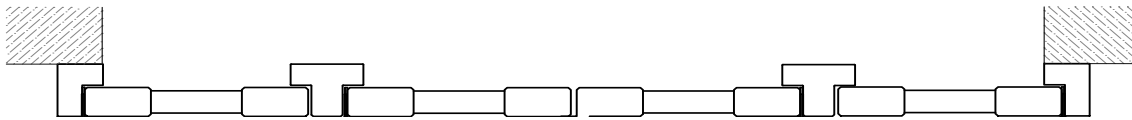
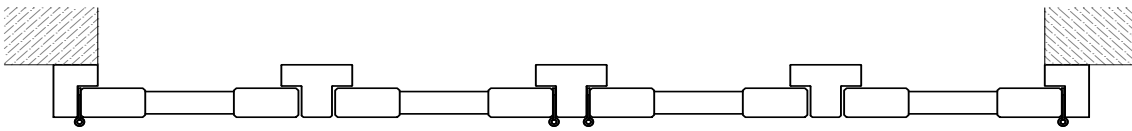
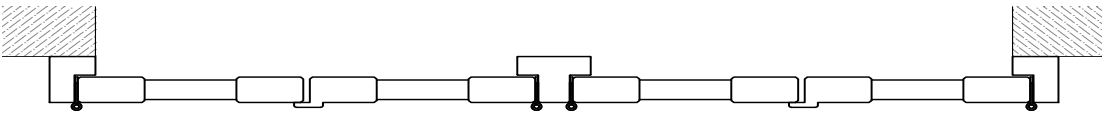
3 panel with T post, Configuration code: LTRTR or LTLTR



4 panel, Configuration code: LL-DRR or LLD-RR



4 panel with T post, Configuration code: L-DRTL-DR or LRTLTR or LTL-DRTR

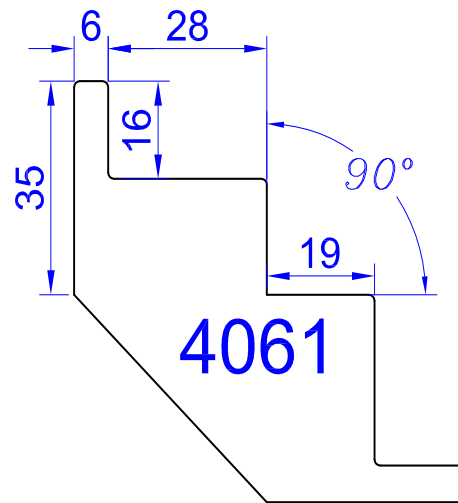
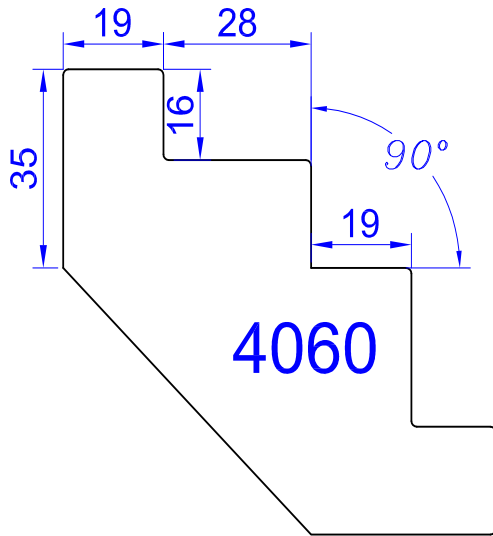


HINGED SHUTTERS IN BAY OR CORNER WINDOWS

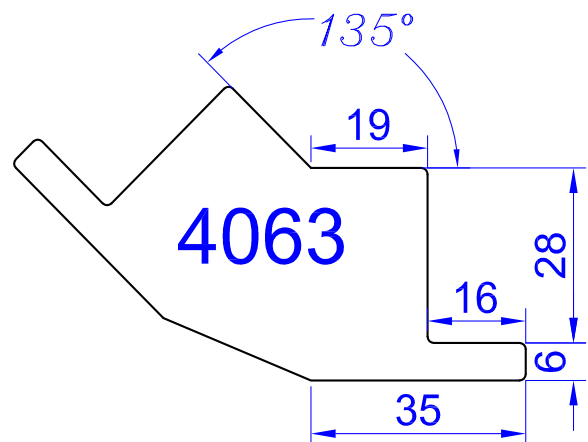
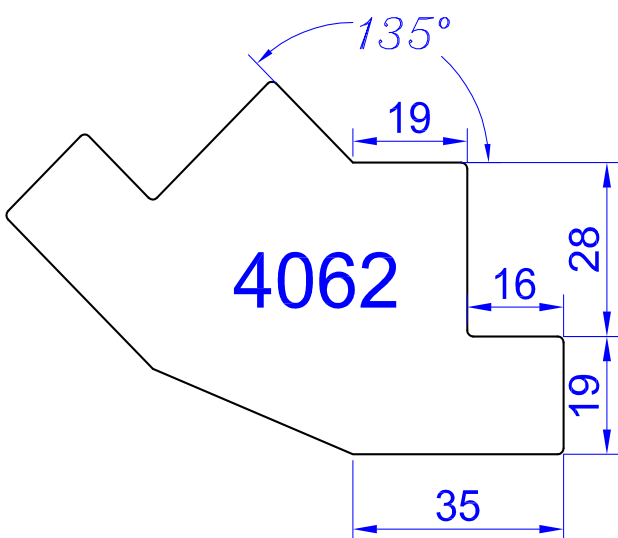
AVAILABLE IN HINGED L OR Z FRAMES

Max length of posts is 3000mm. For lengths requested longer, they will be supplied cut in half by default.

CORNER POSTS

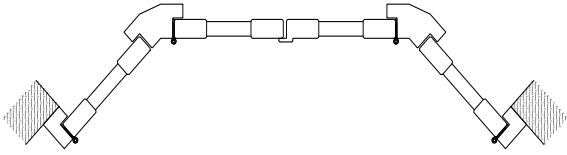


BAY POSTS

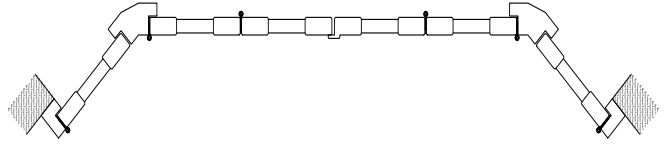


AVAILABLE PANEL CONFIGURATIONS

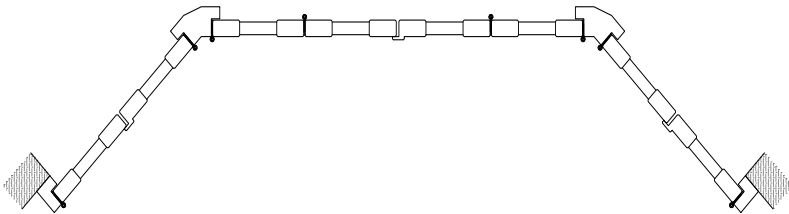
4 panel, Configuration code: LBL-DRBR



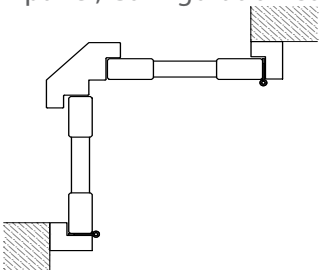
6 panel, Configuration code: LBLL-DRRBR



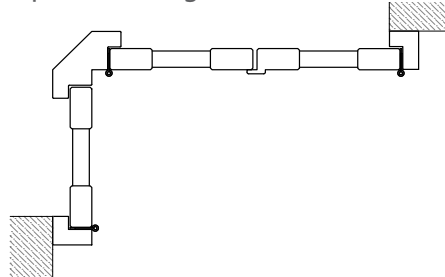
8 panel, Configuration code: L-DRBLL-DRRBL-DR



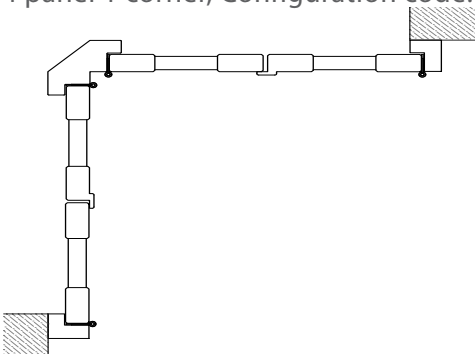
2 panel, Configuration code: LCR



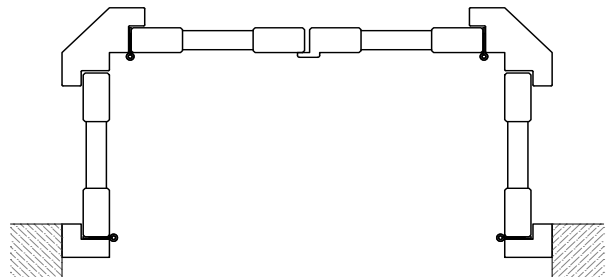
3 panel, Configuration code: LCL-DR or LD-RCR



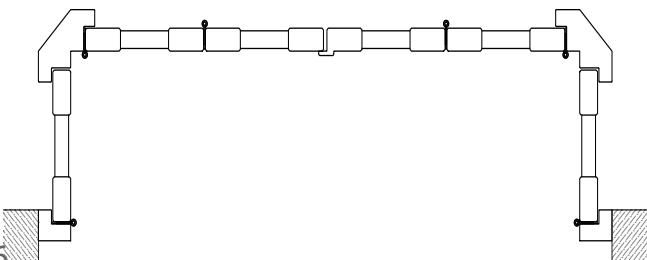
4 panel 1 corner, Configuration code: LD-RCL-DR



4 panel 2 corners, Configuration code: LCL-DRCR

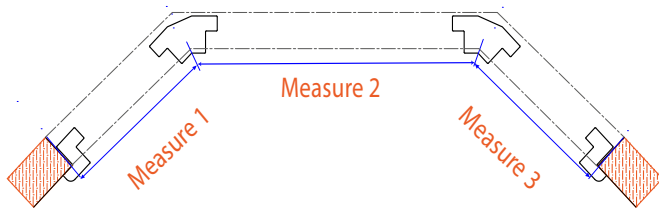


6 panel 2 corner, Configuration code: LD-RCL-DRCL-DR or LCLL-DRRCR

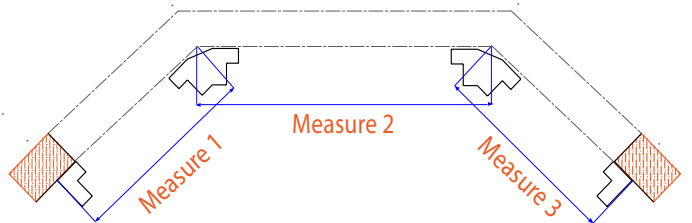


HOW TO MEASURE

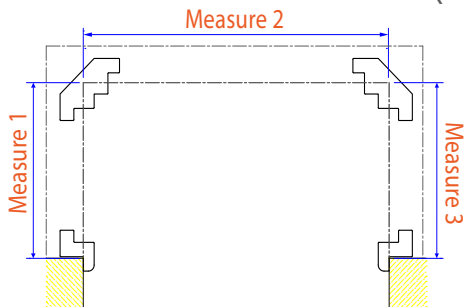
Bay Window: Inside Mount (L or Z)



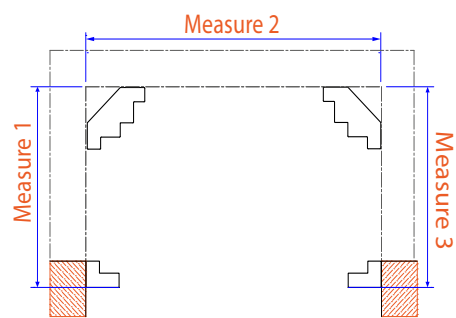
Bay Window: Outside Mount (L Only)



Corner Window: Inside Mount (L or Z)

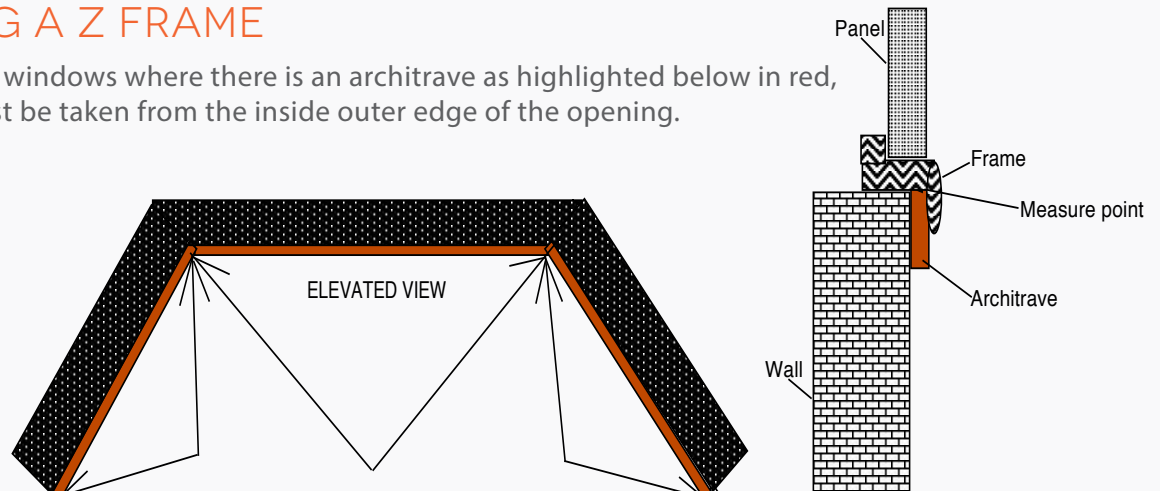


Corner Window: Outside Mount (L Only)



QUIRKS: USING A Z FRAME

In both Bay and Corner windows where there is an architrave as highlighted below in red, the measurements must be taken from the inside outer edge of the opening.



IMPORTANT NOTE: When placing your order online always work from left to right of the opening.

Sub-Width 1 = Measure 1. Sub-Width 2 = Measure 1 + Measure 2

Measure 3 is the total width i.e Measure 1 + Measure 2 + Measure 3

INSTALLATION METHOD: HINGED NO FRAME USED WHEN FRAMES ARE NOT WANTED.



BEFORE YOU ORDER

MINIMUM REVEAL DEPTHS*

*Be sure to always measure from the most protruding object in the reveal.

	64mm Blade	89mm Blade
	Clearview	Clearview
Hinged No Frame	54	67

LIMITATIONS

Installation Method	Width			Height			Panel Breaks	
	Min	Max	Max Non Warranty	Min	Max	Max Non Warranty	Mid-Rail(s) Required	Approximate Split Rotation by Blade Size
								64 89
Hinged No Frame	250	930	980	400	2700	N/A	1800	1100 1300
Double Hinged	250	400	450	450	2700	N/A	1800	1100 1300
Note: The factory will automatically split the tilt if ordered sizes exceed factory standards					Max No. of Blades Per Tilt Rod			22 15

DEDUCTIONS

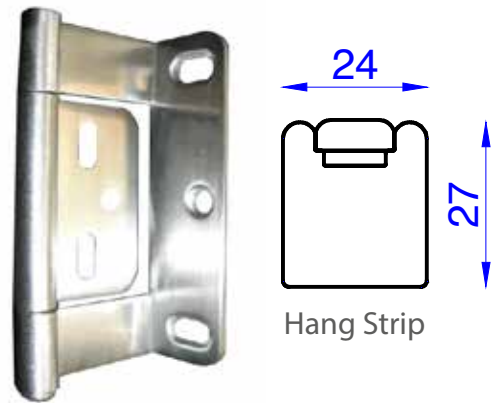
Panel and Reveal	Between Meeting Panels	Between Meeting Panels with D Mould	Hinge Deductions	Overall Panel Deduction for Non-Mortise Hinged	Overall Panel Deduction for L Hinge	Overall Panel Deduction for Pivot Hinge
------------------	------------------------	-------------------------------------	------------------	--	-------------------------------------	---

AVAILABLE HINGED NO FRAME OPTIONS

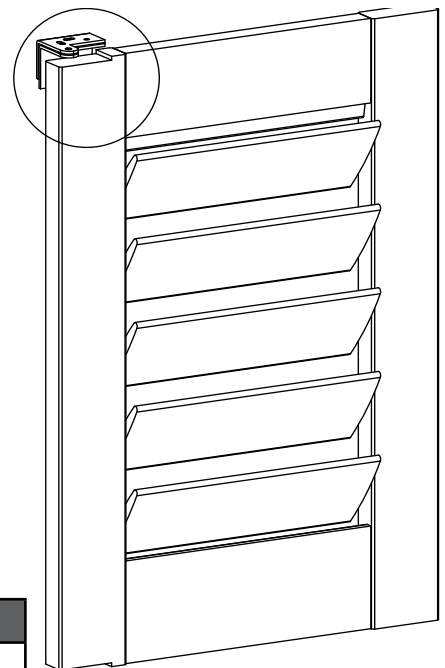
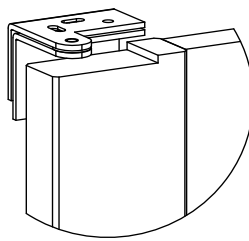
NON MORTISE HINGED
REVEAL MOUNT ONLY.



L HINGE AND HANG STRIP
REVEAL MOUNT ONLY.



PIVOT HINGE
REVEAL AND FACE MOUNT



Pivot Hinge	Mount	Rebate (mm)	Rebate Width (mm)
Recessed Pivot Hinge	Inside	3.5	55

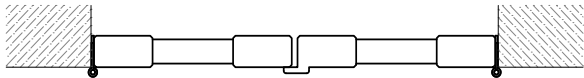
Note: Non-recessed pivot hinges will have no rebate.
The pivot hinge will be moved across 10mm as standard if the panel is in the centre of the opening and will butt up against another panel with a D mould.

AVAILABLE PANEL CONFIGURATIONS

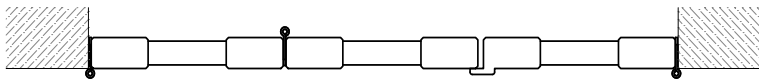
1 panel Configuration code: L or R



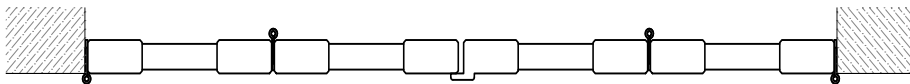
2 panel, Configuration code: L-DR or LD-R



3 panel, Configuration code: LL-DR or LD-RR

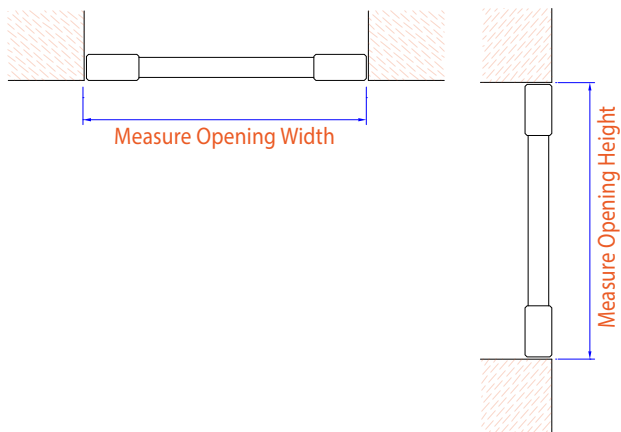


4 panel, Configuration code: LL-DRR or LLD-RR

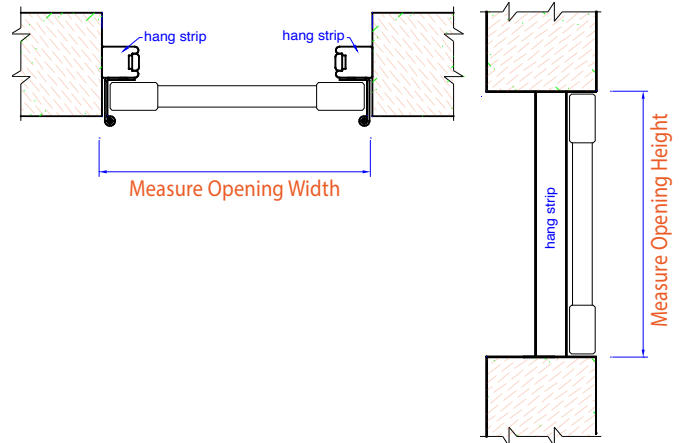


HOW TO MEASURE

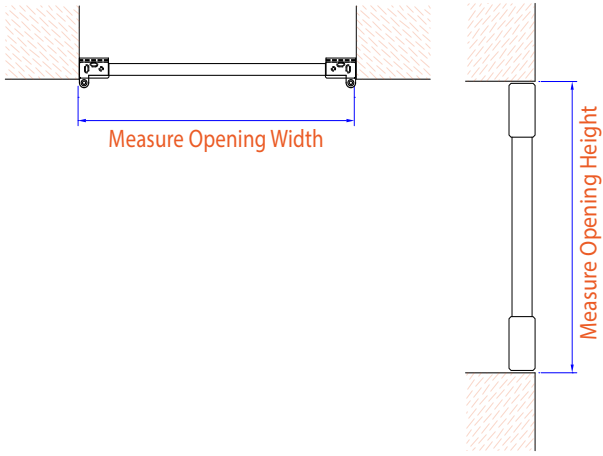
Hinged No Frame



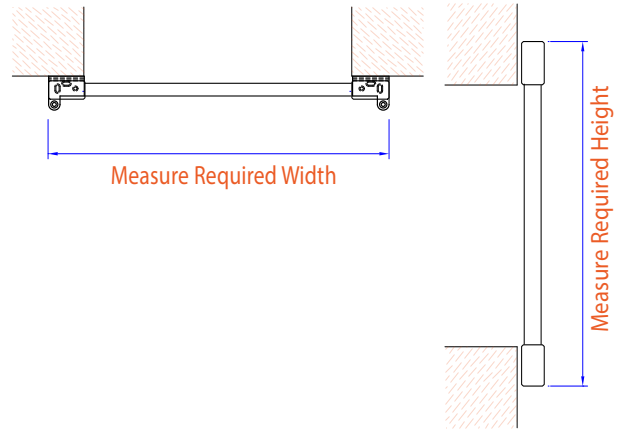
Hinged No Frame: L Hinge and Hang Strip



Hinged No Frame: Pivot Hinged



Hinged No Frame: Pivot Hinged



INSTALLATION METHOD: FIXED

USED WHEN SHUTTERS ARE REQUIRED TO BE FIXED IN POSITION. **REVEAL MOUNT ONLY**



BEFORE YOU ORDER

MINIMUM REVEAL DEPTHS*

*Be sure to always measure from the most protruding object in the reveal.

	64mm Blade	89mm Blade
	Clearview	Clearview
Fixed	54	67

LIMITATIONS

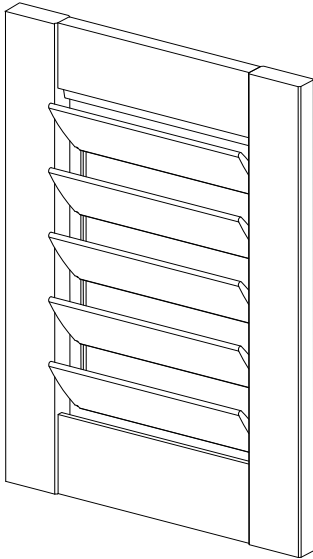
Installation Method	Width			Height			Panel Breaks	
	Min	Max	Max Non Warranty	Min	Max	Max Non Warranty	Mid-Rail(s) Required	Approximate Split Rotation by Blade Size
								64 89
Fixed	250	930	980	400	2700	N/A	1800	1100 1300
Note: The factory will automatically split the tilt if ordered sizes exceed factory standards					Max No. of Blades Per Tilt Rod			22 15

DEDUCTIONS

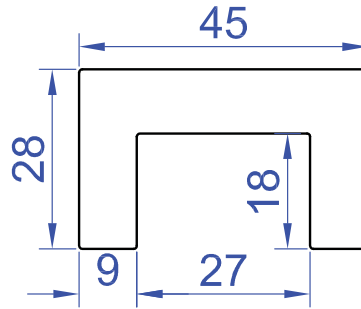
Fixed Panel and Reveal	Between Meeting Panels	Overall Panel Deduction
2.5	2.5	5

AVAILABLE FIXED OPTIONS

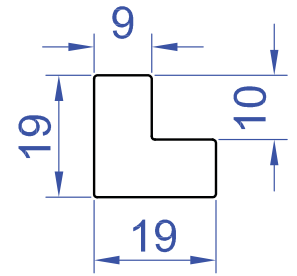
FIXED WITH BEADING BLADES OPERATIONAL



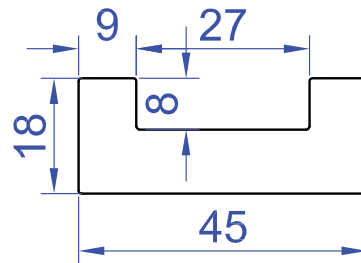
FIXED WITH U CHANNEL BLADES OPERATIONAL



TOP CHANNEL (4050)

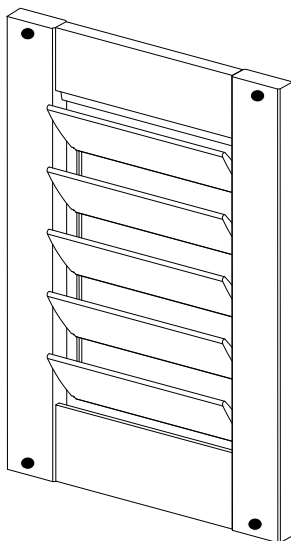


SIDE CHANNEL (4052)



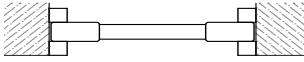
BOTTOM CHANNEL (4051)

FIXED WITH BULLET MAGNETS BLADES OPERATIONAL



AVAILABLE PANEL CONFIGURATIONS

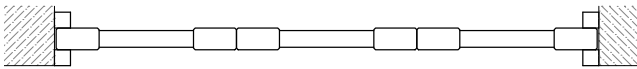
1 panel Configuration code: F



2 panel, Configuration code: FF



3 panel, Configuration code: FFF

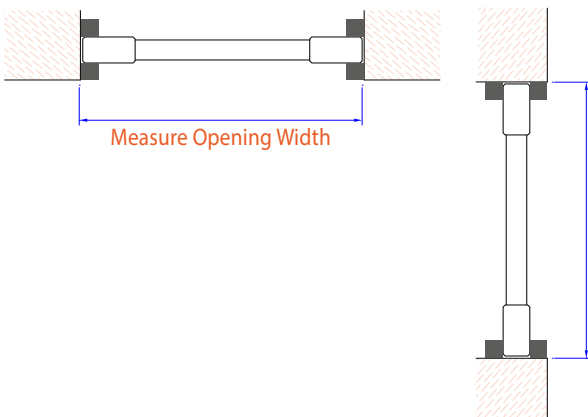


4 panel, Configuration code: FFFF

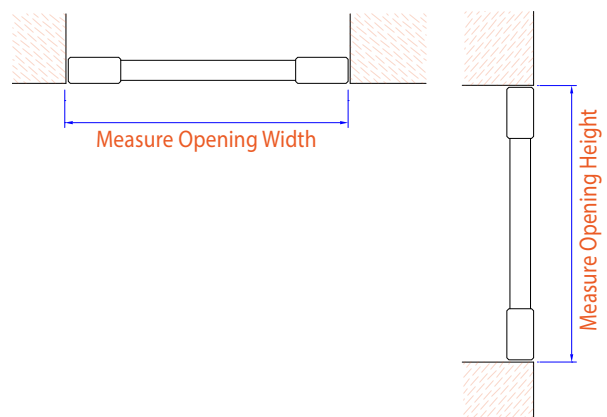


HOW TO MEASURE

Fixed with Beading



Fixed



INSTALLATION METHOD: MULTI-FOLD

USED TO COMPLETELY FOLD SHUTTERS AWAY FROM OPENING WHEN AN UNOBSTRUCTED VIEW IS REQUIRED. **REVEAL AND FACE MOUNT APPLICATIONS**



BEFORE YOU ORDER

MINIMUM REVEAL DEPTHS*

*Be sure to always measure from the most protruding object in the reveal.

	64mm Blade	89mm Blade
	Clearview	Clearview
Multi-Fold	100	100

LIMITATIONS

Installation Method	Width			Height			Panel Breaks	
	Min	Max	Max Non Warranty	Min	Max	Max Non Warranty	Mid-Rail(s) Required	Approximate Split Rotation by Blade Size
								64 89
Multi-Fold	250	550	600	400	2700	N/A	1800	1100 1300
Note: The factory will automatically split the tilt if ordered sizes exceed factory standards					Max No. of Blades Per Tilt Rod			22 15

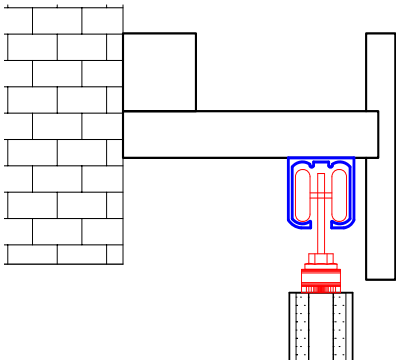
DEDUCTIONS

Top Track	Bottom Track	Bottom Track Recessed	Bottom Multi-Fold Pivot Height	Bottom Multi-Fold Pivot Width	Bottom Multi-Fold No Track
52	20	28	20	5	20

AVAILABLE MOUNTS

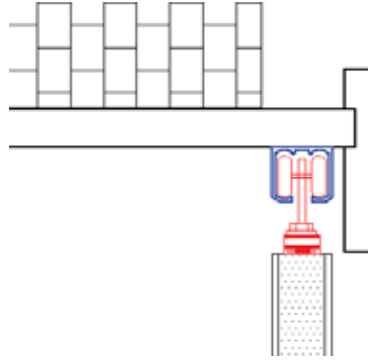
FACE MOUNT

FASCIA DEPTH = 95MM



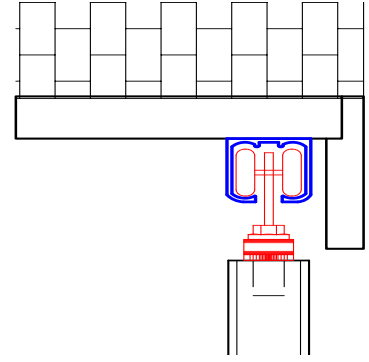
SEMI-REVEAL

FASCIA DEPTH = 95MM



REVEAL MOUNT

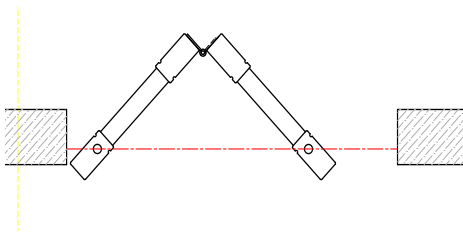
FASCIA DEPTH = 65MM



AVAILABLE FOLD PATTERNS

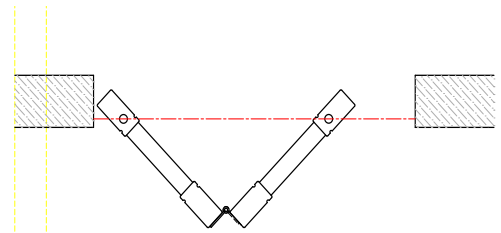
REVERSE FOLD

SHUTTERS FOLD AWAY FROM THE ROOM



STANDARD FOLD

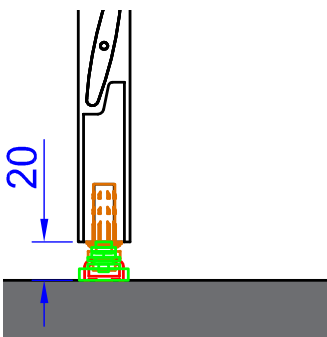
SHUTTERS FOLD INTO THE ROOM



BOTTOM TRACK OPTIONS

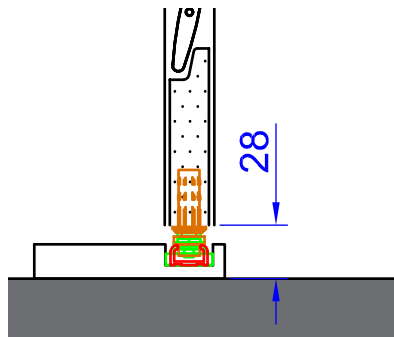
SURFACE MOUNT

BOTTOM TRACK WITH NO BOTTOMBOARD



RECESSED TRACK

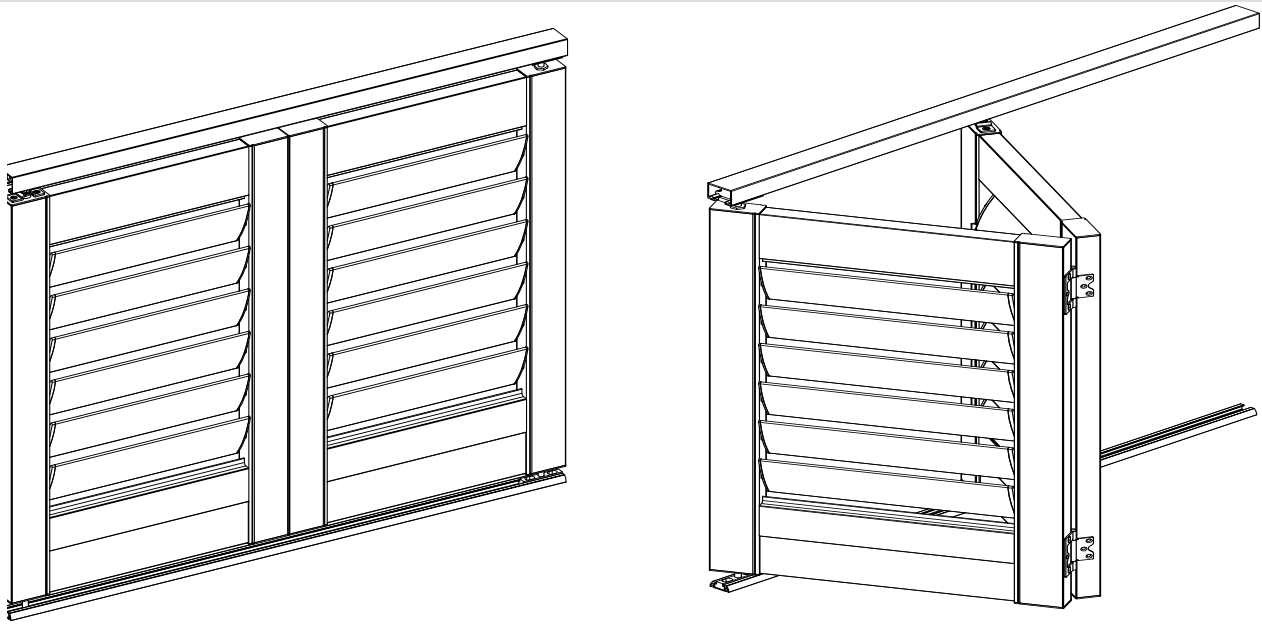
TRACK RECESSED INTO BOTTOMBOARD



NO BOTTOM TRACK

TWO STRONGLY ADVISES AGAINST THIS OPTION. THIS WOULD BE A NON-WARRANTY ITEM.

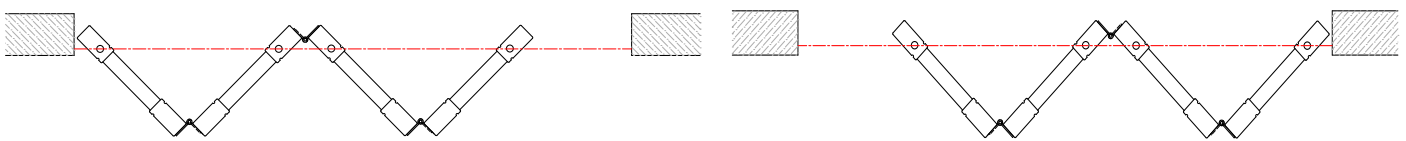
AVAILABLE PANEL CONFIGURATIONS



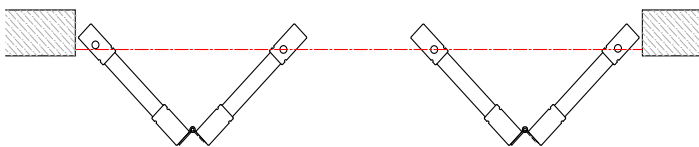
2 panel, Configuration code: LL or RR



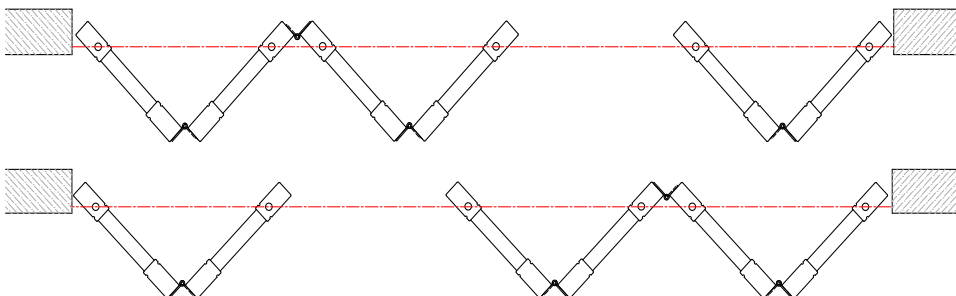
4 panels one way, Configuration code: LLLL or RRRR



4 panels centre open, Configuration code: LLRR



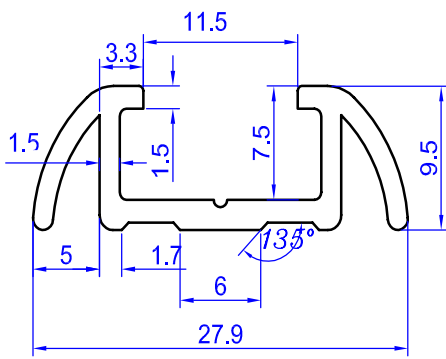
6 panels centre open, Configuration code: LLRRRR or LLLLRR



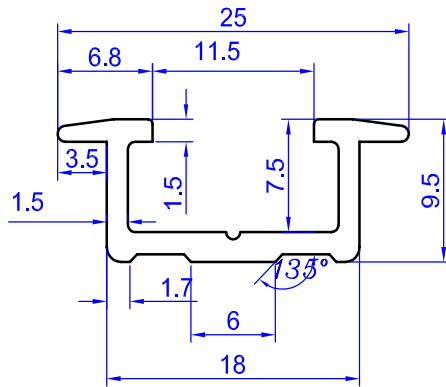
Warranty Note: The maximum number of panels folding in one direction is four.

Panel configurations are to be an even numbers and move in pairs. This ensures that each panel is able to be secured in the opening.

TRACKS



Surface Mount Track



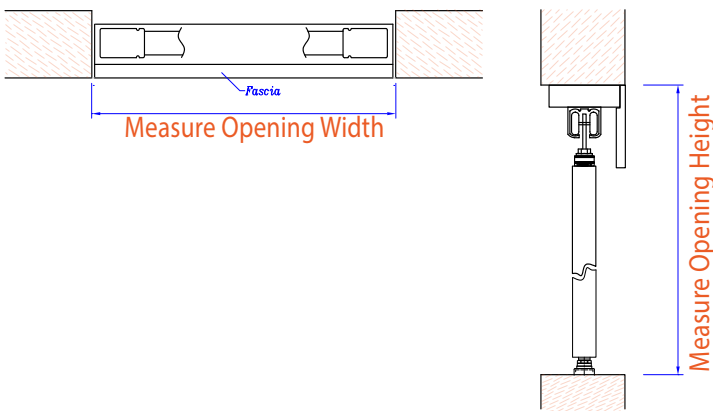
Recessed Track

SIDEBOARDS

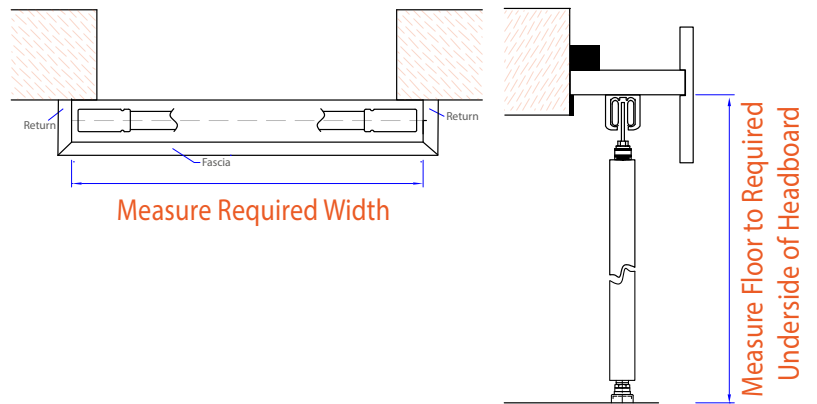
Sideboards are mandatory for both sliding and multi-fold installation methods. Orders placed without sideboards will be a non-warranty item.

HOW TO MEASURE

Multi-Fold: Reveal Mount

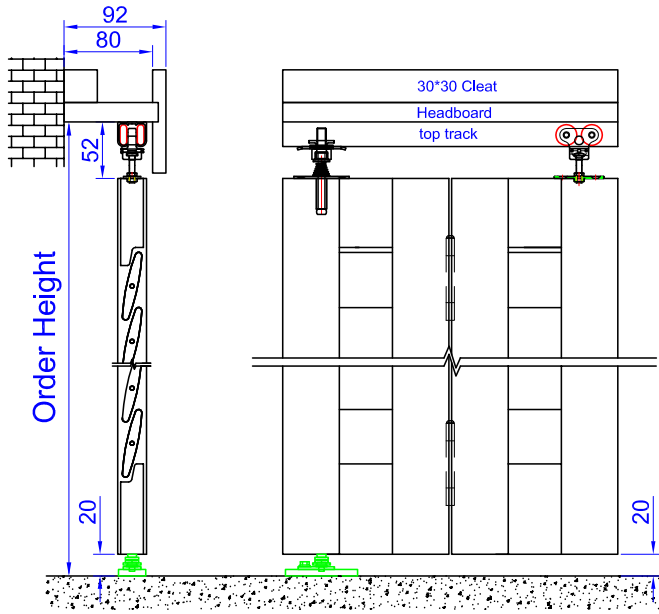


Multi-Fold: Face Mount

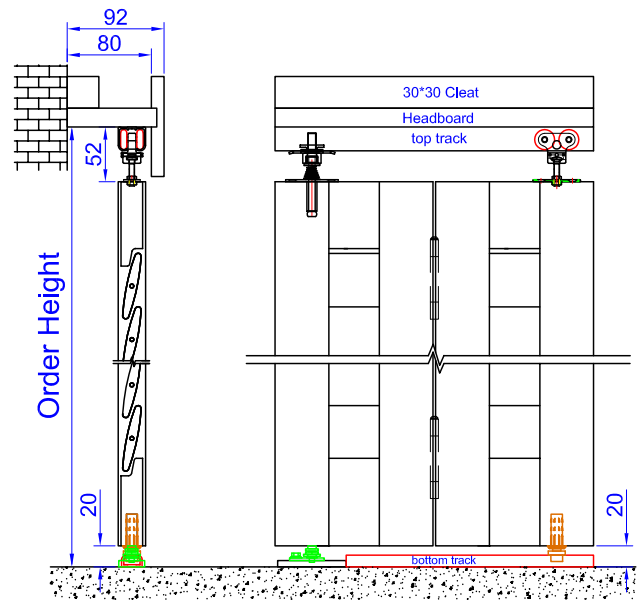


Component	Measurements
Headboard	90 x 18
Head Mounting Cleat	30 x 30
Outside Mount Fascia & Returns	95 x 12
Inside Mount Fascia & Returns	65 x 12
Sideboards	90 x 18
Side Mounting Cleat	19 x 19
Bottom Board	90 x 18

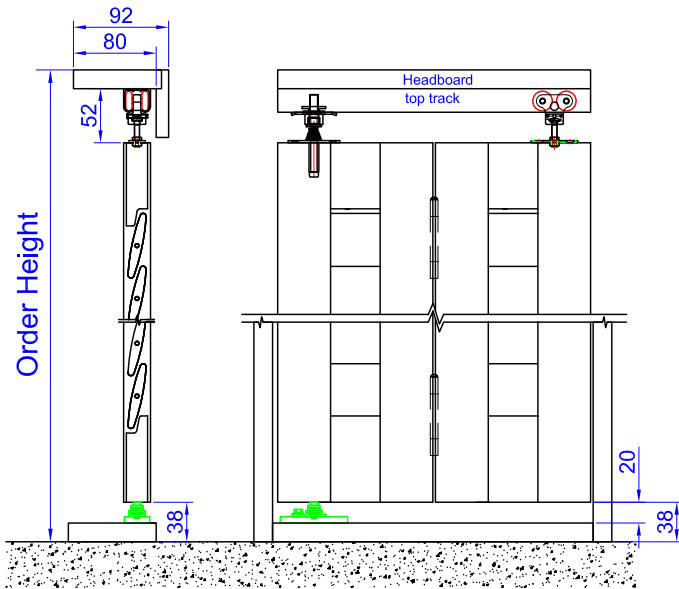
SPECIFICATION DRAWINGS



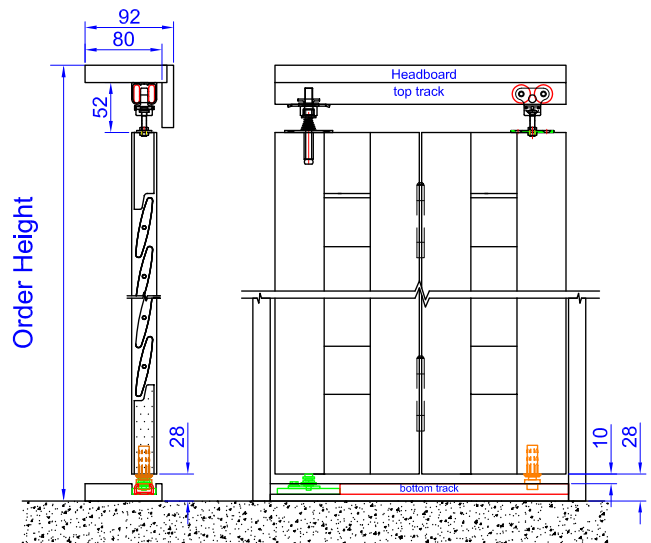
Mount: Face (Out)
Bottom Track: No Track



Mount: Face (Out)
Bottom Track: Surface Mount Track



Mount: Reveal (Inside)
Bottom Track: No Track



Mount: Reveal (Inside)
Bottom Track: Recessed Track

INSTALLATION METHOD: SLIDING

USED MOST COMMONLY TO COVER SLIDING DOORS. REVEAL AND FACE MOUNT APPLICATIONS.



BEFORE YOU ORDER

MINIMUM REVEAL DEPTHS*

*Be sure to always measure from the most protruding object in the reveal.

	64mm Blade	89mm Blade
	Clearview	Clearview
2 Track Slider - Blades Closed	100	100
2 Track Slider - Blades Open	150	190

LIMITATIONS

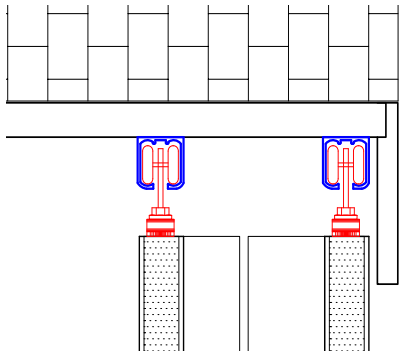
Installation Method	Width			Height			Panel Breaks		
	Min	Max	Max Non Warranty	Min	Max	Max Non Warranty	Mid-Rail(s) Required	Approximate Split Rotation by Blade Size	
								64	89
Sliding	250	930	980	400	2700	N/A	1800	1100	1300
Note: The factory will automatically split the tilt if ordered sizes exceed factory standards					Max No. of Blades Per Tilt Rod			22	15

DEDUCTIONS

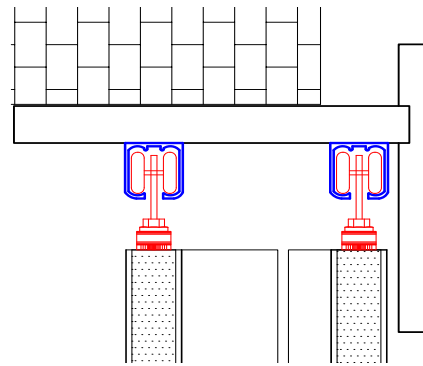
	Top Track	Surface Mount Track	Bottom Track Sliding with Floor Guide	Bottom Track Recessed
30	52	20	10	10

AVAILABLE MOUNTS

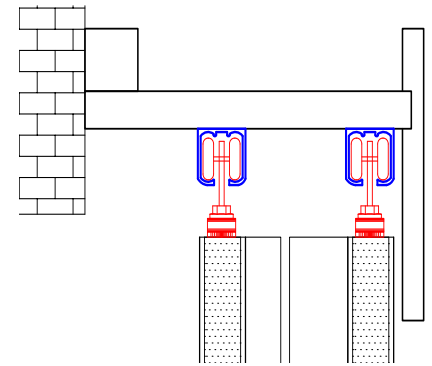
REVEAL
FASCIA DEPTH = 95MM



SEMI-REVEAL
FASCIA DEPTH = 140MM



FACE
FASCIA DEPTH = 140MM



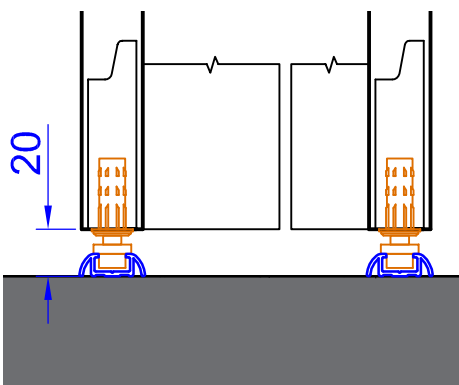
Reveal Mount: Pelmet is fixed into the opening and the headboard is screwed up into the opening. The fascia will sit flush with the front of the opening and will not have returns.

Semi-Reveal Mount: Pelmet is fixed half in the opening and half out of the opening and the headboard is screwed up into the opening. A face mount and returns are supplied. The reveals will stop short of the width of the pelmet and hit the face of the opening.

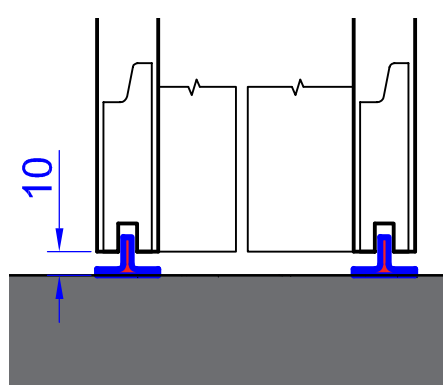
Face Mount: Pelmet is fixed on to the outside of the opening, normally above the architrave. The headboard is attached using a 30x30 cleat. Fascia and full length returns are supplied.

BOTTOM TRACK OPTIONS

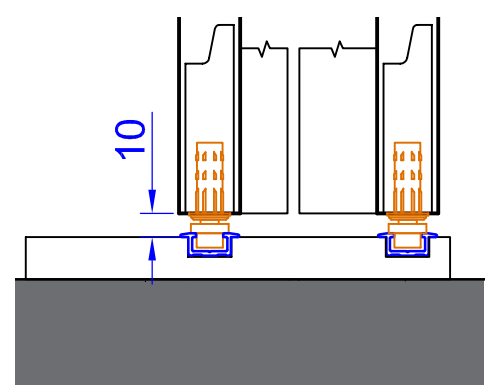
SURFACE MOUNT
BOTTOM TRACK WITH
NO BOTTOMBOARD



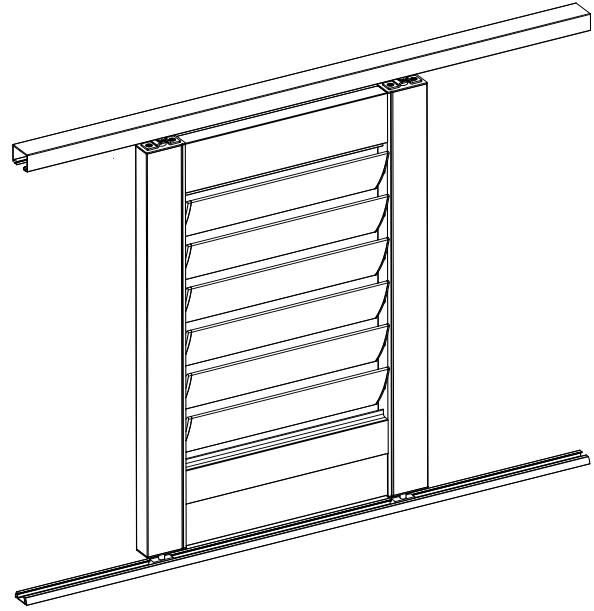
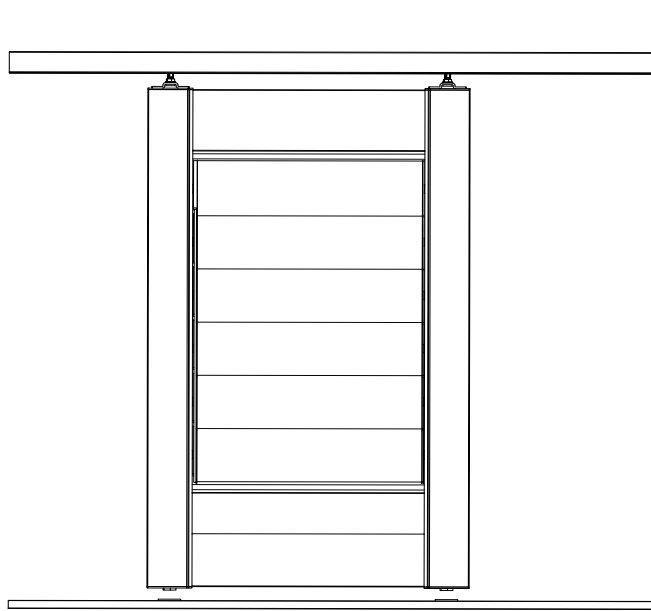
GUIDE
NO BOTTOM TRACK OR
BOTTOMBOARD



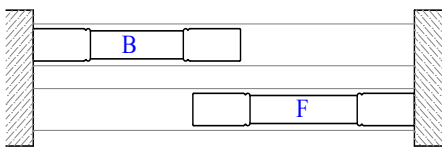
RECESSED TRACK
TRACK RECESSED INTO
BOTTOMBOARD



AVAILABLE PANEL CONFIGURATIONS

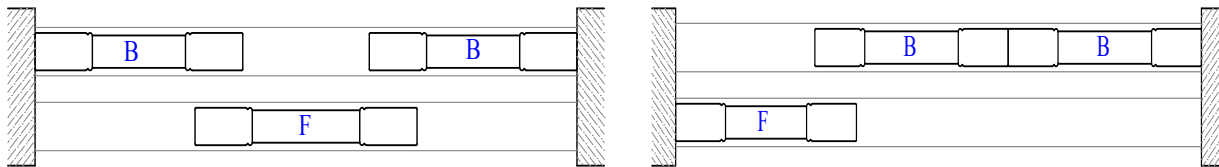


2 panels on 2 tracks, Configuration code: BF or FB

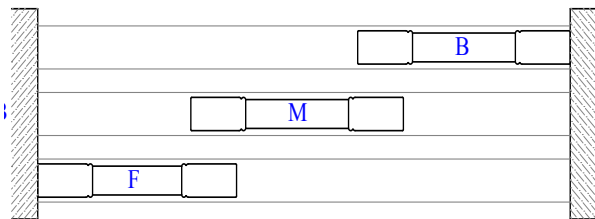


Note: Single panels sliding on 1 Track are denoted with a "S" for one panel, and a "SS" for 2 panels on a single track.

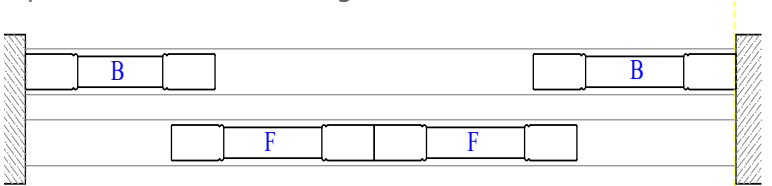
3 panels on 2 tracks, Configuration code: BFB or FBF or FBB or BBF



3 panels on 3 tracks, Configuration code: BMF or FMB
NOTE: 3 tracks only available with blades closed option



4 panels on 2 tracks, Configuration code: BFFB or FBBF



JOINED PANELS

Panel configurations BBFF and FFBB will be supplied as joined panels by default. Please specify in notes if you do not wish the panels to be joined.

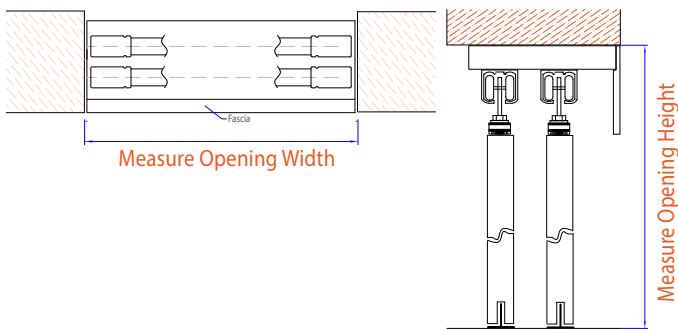
Joined panels are two panels that share a center stile allowing them to operate as a single panel. NOTE: Panels are joined with a 41mm flat stile only.

SIDEBOARDS

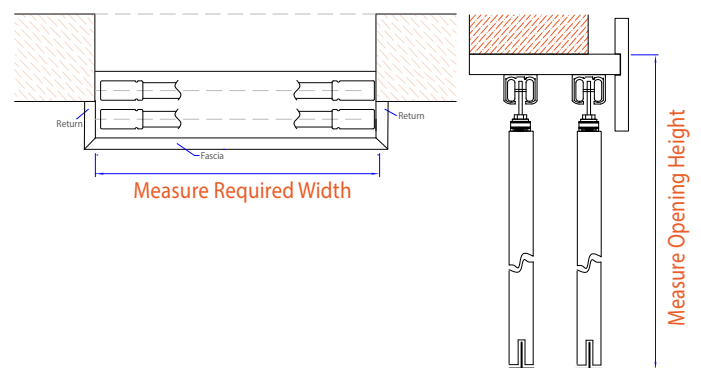
Sideboards are mandatory for both sliding and multi-fold installation methods. Orders placed without sideboards will be a non-warranty item.

HOW TO MEASURE

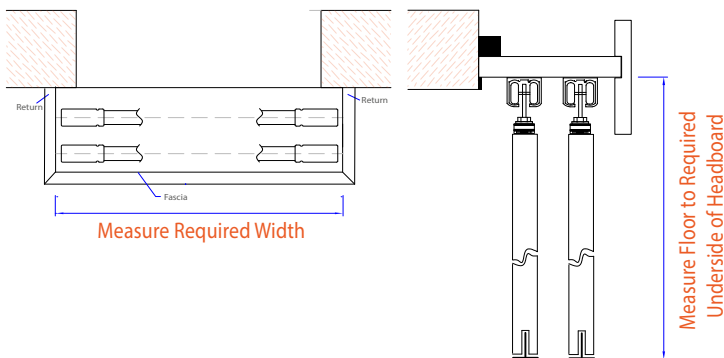
Sliding: Reveal Mount



Sliding: Semi-Reveal Mount

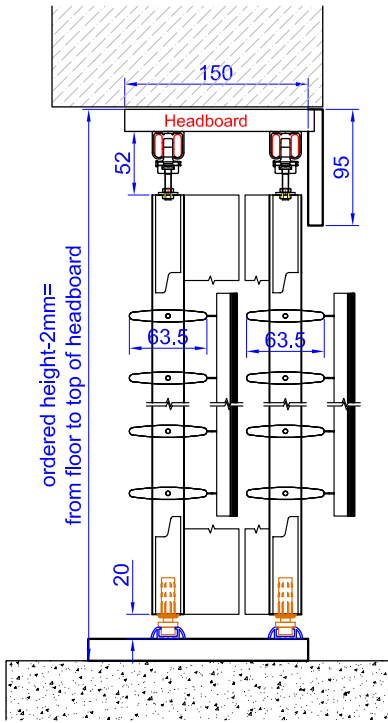


Sliding: Face Mount

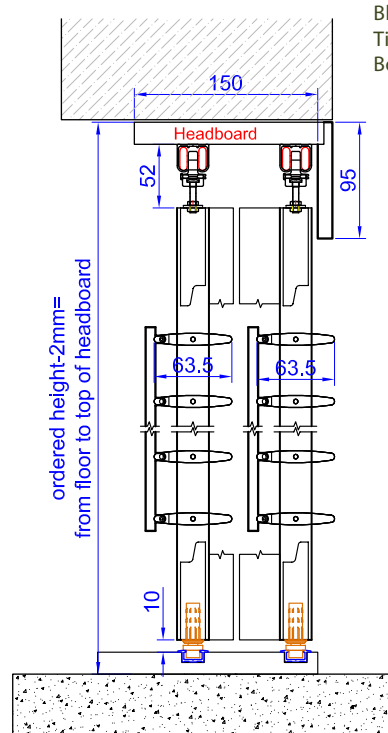


SPECIFICATION DRAWINGS

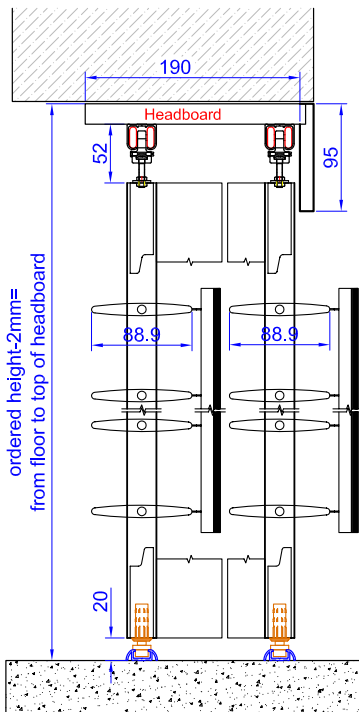
SLIDING BLADES OPEN, REVEAL MOUNT



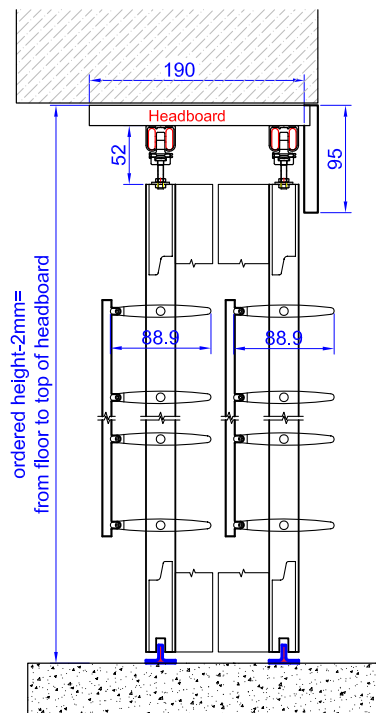
Blade: 64mm Blade
Tilt Rod: Center Rotation
Bottom Track: Surface Mount Track



Blade: 64mm Blade
Tilt Rod: Clearview Rotation
Bottom Track: Recessed Track



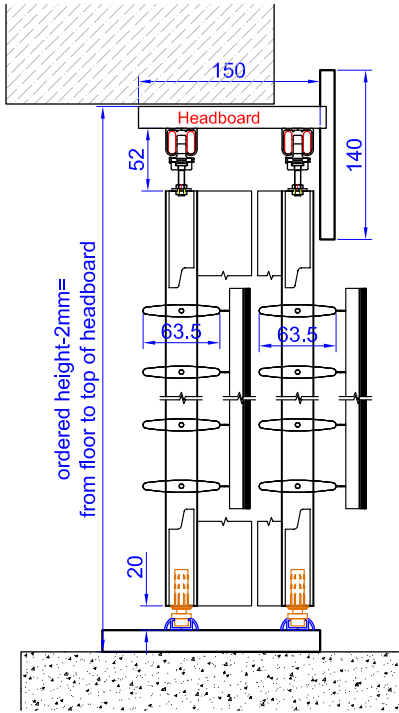
Blade: 89mm Blade
Tilt Rod: Center Rotation
Bottom Track: Surface Mount Track



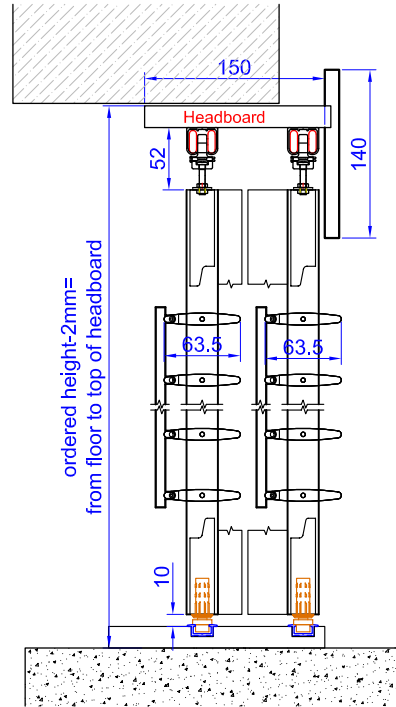
Blade: 89mm Blade
Tilt Rod: Clearview Rotation
Bottom Track: No Track, Guide Only

SPECIFICATION DRAWINGS

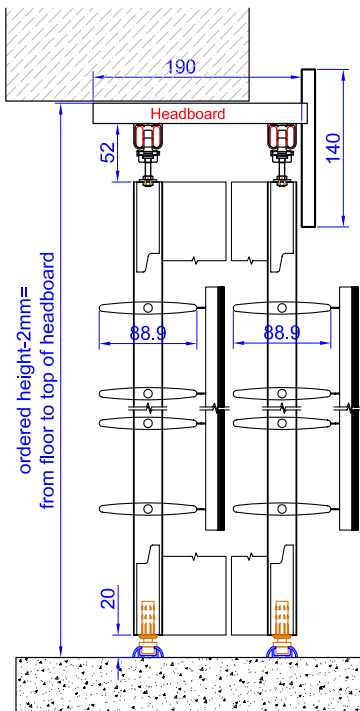
SLIDING BLADES OPEN, SEMI-REVEAL MOUNT



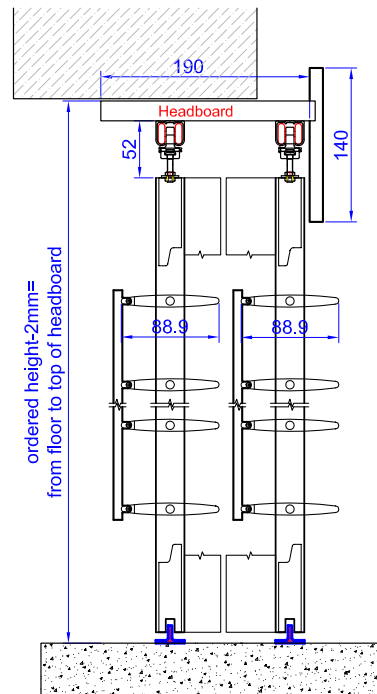
Blade: 64mm Blade
Tilt Rod: Center Rotation
Bottom Track: Surface Mount Track



Blade: 64mm Blade
Tilt Rod: Clearview Rotation
Bottom Track: Recessed Track



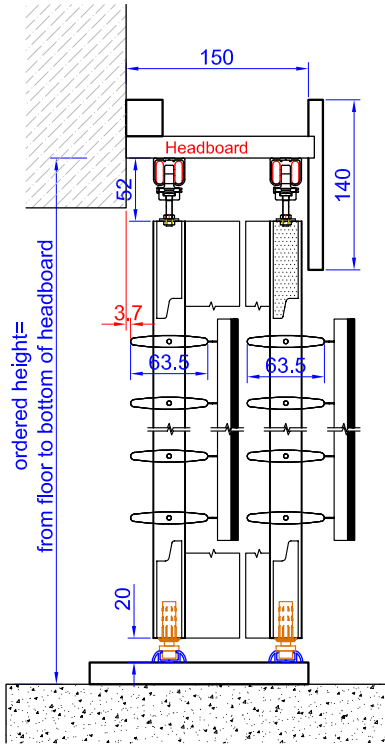
Blade: 89mm Blade
Tilt Rod: Center Rotation
Bottom Track: Surface Mount Track



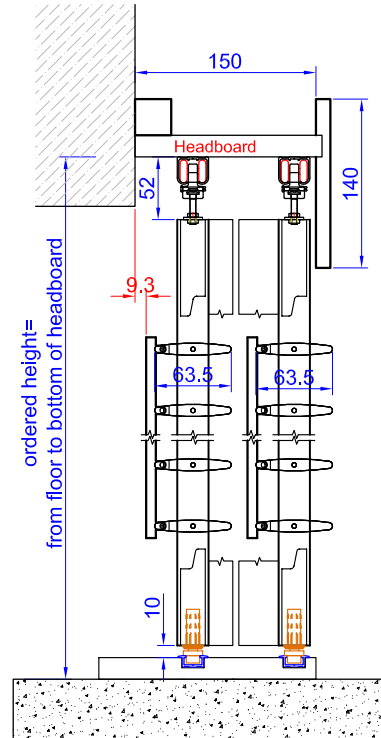
Blade: 89mm Blade
Tilt Rod: Clearview Rotation
Bottom Track: No Track, Guide Only

SPECIFICATION DRAWINGS

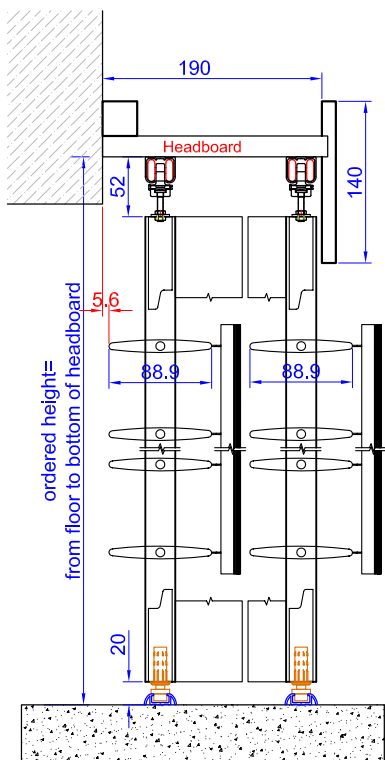
SLIDING BLADES OPEN, FACE MOUNT



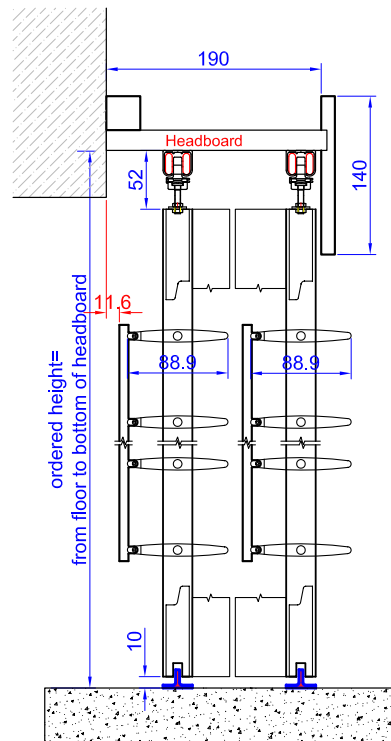
Blade: 64mm Blade
Tilt Rod: Center Rotation
Bottom Track: Surface Mount Track



Blade: 64mm Blade
Tilt Rod: Clearview Rotation
Bottom Track: Recessed Track



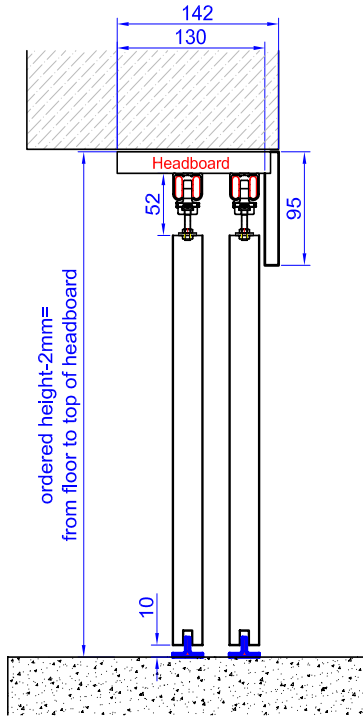
Blade: 89mm Blade
Tilt Rod: Center Rotation
Bottom Track: Surface Mount Track



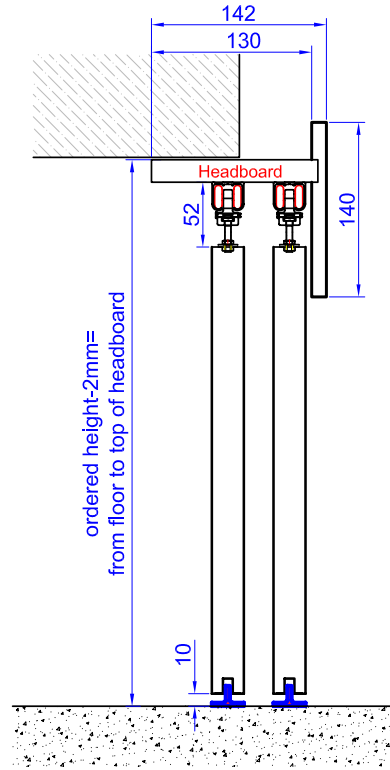
Blade: 89mm Blade
Tilt Rod: Clearview Rotation
Bottom Track: No Track, Guide Only

SPECIFICATION DRAWINGS

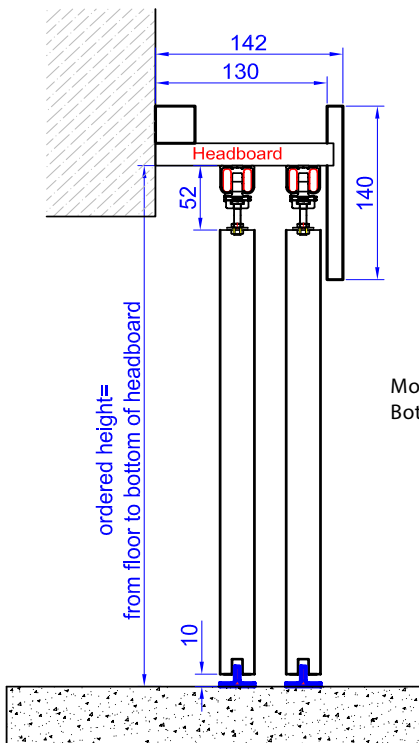
SLIDING BLADES CLOSED, ALL MOUNTS AND BLADE SIZES



Mount: Reveal
Bottom Track: No Track, Guide Only



Mount: Semi-Reveal
Bottom Track: No Track, Guide Only



Mount: Face
Bottom Track: No Track, Guide Only

PRE-DRILLING OF FRAMES

If requested in Special Instructions, the factory will pre-drill countersunk holes as per the following guidelines:

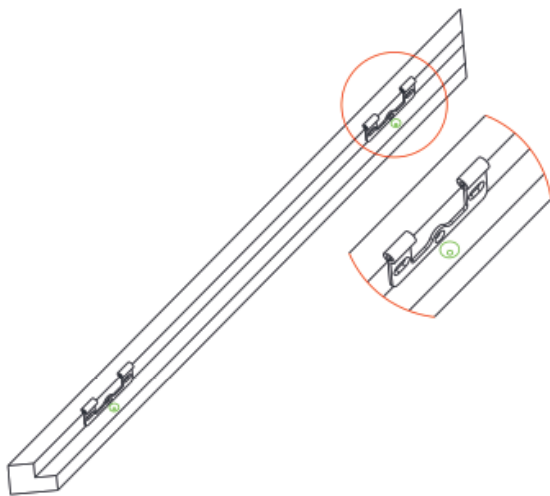
Inside Mount -



Outside Mount -

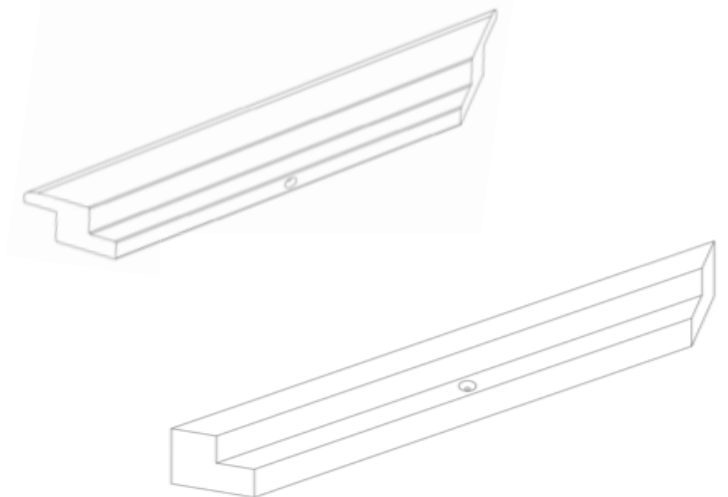


Side Frames - The pre-drilled hole will be placed at the center of the hinge section and will line up with the middle of the hinge screws on both the top and bottom hinges. See below drawing.



Top & Bottom Frames - If there is only one panel, no holes are needed.

If it is more than one panel, a hole will be pre-drilled at the center of the top and bottom frames with a maximum of six holes pre-drilled for each opening.



CUPBOARD CATCH

Designed to hold firmly and prevent doors swinging open during windy conditions. The catch is made from plastic and installed with a stainless steel screw (rust proof). No surcharge applicable.

HOW TO ORDER:

When placing your order, please select Cupboard Catch from the Extras drop-down. This option will be supplied loose in order to prevent damage in transit.



COLOUR MATCH STICKERS

Colour match stickers are available for custom colour jobs. Surcharge applies.



UNIVERSAL PULL STICK

Open shutter blades with ease in out of reach installations for light adjustment.

Available in White.

HOW TO ORDER:

Select from the *Extras* drop-down menu.



BLADE CLOSURE RING PULL

Available Sizes: 64mm, 89mm, 114mm blades

Product Code A9100

Available in Black or White.

HOW TO ORDER:

Order under *Extras* in the drop-down menu.



MAGNET INSTALLED FOR PANELS >2200MM



Magnet installed midway
behind stile.

When the panel is >2200mm
the magnet comes standard.

For panels <2200mm,
please request under Special
Instructions.

SPECIAL SHAPES

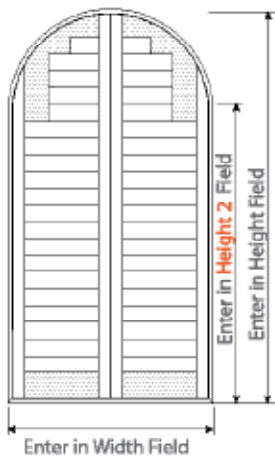
Special shapes can only be made for:

- Panel only
- P4022 Standard Z Frame
- P4041 48mm Flat L Frame

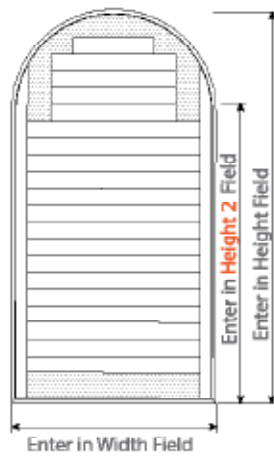
Available shapes:

- Arches
- Slopes
- Rakes

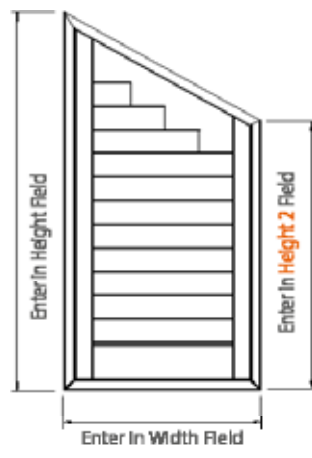
Circle and oval shapes are not available.



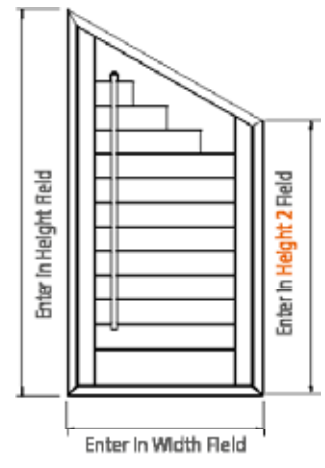
Arch: Warranty



Arch: Warranty



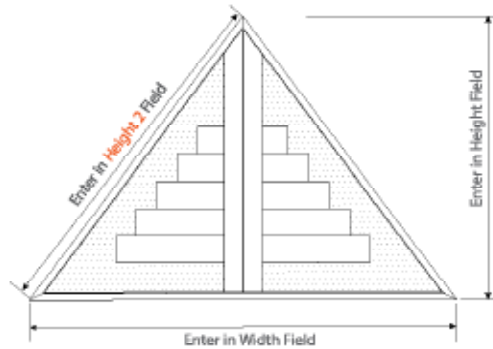
Right Rake: Warranty



Right Rake: Warranty



Arch: Warranty



Triangle: Warranty